

CL-139 A

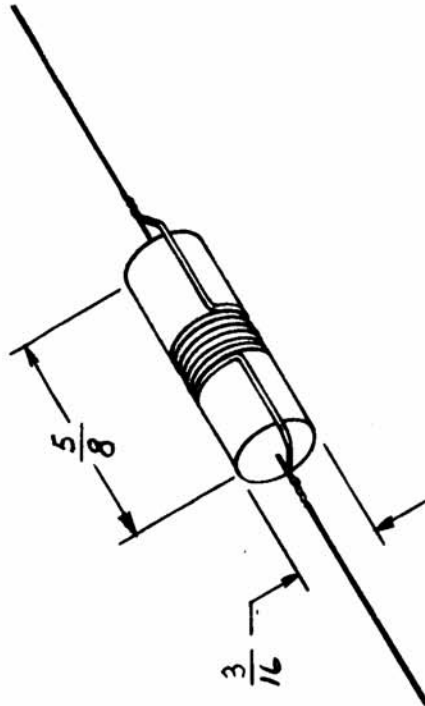
REQ. PER UNIT	USED ON		
	MODEL	ASSY. NO.	DATE
1	RFA-1	L 226	6-5-58
1	RFA-2 PA	L 103	12-9-58
1	GPT-JOK EXCITER	L 227	12-22-58
1	RFC-1		11-22-60

ELECTRICAL SPECIFICATIONS

- L - 1.1 uhy nominal
- Q - greater than 70
- F - 7.9 mc

MECHANICAL SPECIFICATIONS

- Powdered iron core
- 7 turns
- AWG #32 DSC wire



REQ. ITEM	PART NO.	DESCRIPTION	SYMBOL
		THE TECHNICAL MATERIEL CORP. MAMARONECK, NEW YORK	
		COIL, RF, FIXED, 1.1 uhy	
		MJT 1-8-59	
		DRAWN	
		CHECKED	
		FINAL APPROVAL	
		CL-139	A
		STOCK SIZE	
		MATERIAL	
		TYPE & TEMPER	
		HEAT TREAT. SPEC.	
		FINISH & SPEC. NO.	
		SCALE: 1A-1615	
		MAXIMUM ALLOWABLE TOLERANCES HAVE BEEN DETERMINED AND ANY DEVIATIONS WILL BE CAUSE FOR REJECTION. REMOVE ALL BURRS AND SHARP EDGES	
		DATE 12-22-58	
		CH. NO. 604	
		DRAFTS	
		CHECKER	
		ENG. APP.	
		REDRAWN FROM 2 SIZE	
		CHANGED FR M	
		ISSUE ITEM	
		TOLERANCES	
		DEC. DIM. ±	
		FRAC. DIM. ±	
		ANGULAR DIM. ±	