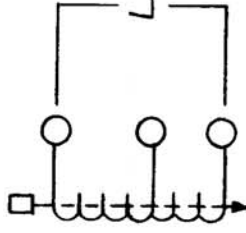
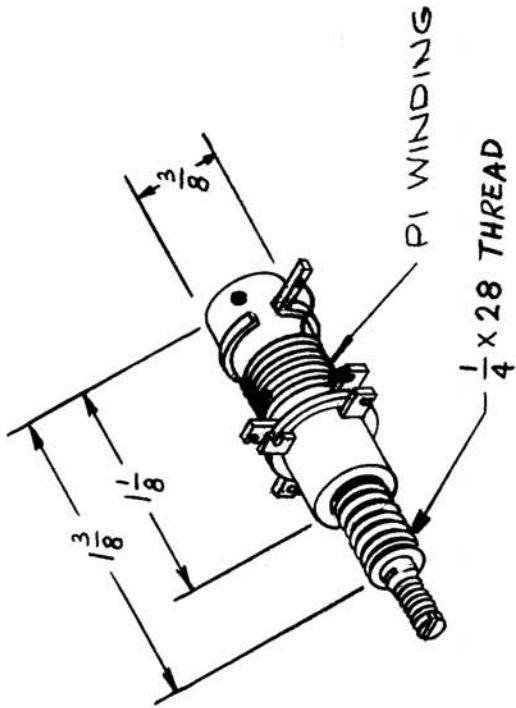


REQ. PER UNIT	USED ON	CL-149	A
	MODEL		
	ASSY. N.		
	DATE		
	RF A-1		



ELECTRICAL SPECIFICATIONS

Operating Frequency Range 2-4 mcs.
 L - minimum less than 28 uhy
 L - maximum greater than 39 uhy
 Q - greater than 50
 F - 2.5 mcs

MECHANICAL SPECIFICATIONS

Phenolic coil form
 Powdered iron tuning slug
 Stud mounted 1/4-28 threads
 40 turns
 #541 lits wire
 Color Code - Black

REG. ITEM	REG. ITEM	PART NO.	DESCRIPTION	SYMBOL
			THE TECHNICAL MATERIEL CORP. MAMARONECK, NEW YORK	
			COIL, RF, TUNED, 2-4 mc	
			MATERIAL	
			STOCK SIZE	
			HEAT TREAT. SPEC.	
			TYPE & TEMPER	
			DRAWN	
			CHECKED	
			FINISH & SPEC. NO.	
			ELEC. DES. APP. MECH. DES. APP.	
A	COIL FORM WAS CHANGED FROM	17380	12.6.66	WPL
	DATE	CH. NO.	DRAFTS	CHECKER
	SCALE:	NPL	2A-1614-1	2A-1614-1
TOLERANCES				
MAXIMUM ALLOWABLE TOLERANCES HAVE BEEN DETERMINED AND ANY DEVIATIONS WILL BE CAUSE FOR REJECTION. REMOVE ALL BURRS AND SHARP EDGES				
DEC. DIM. ±				
FRAC. DIM. ±				
ANGULAR DIM. ±				
MJT 1-7-59				ARB
FINAL APPROVAL				CL-149
				A