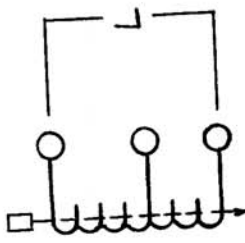
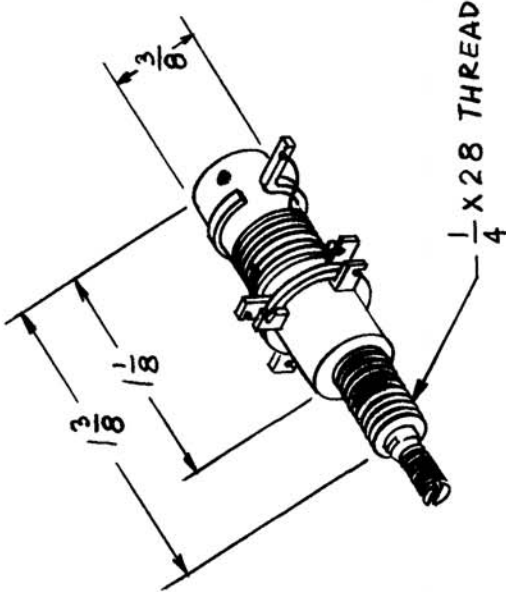


CL-151 A

REQ. PER UNIT	M DEL	USED ON
1	RFA-1	ASSY. NO.
		DATE



ELECTRICAL SPECIFICATIONS

Operating Frequency range 8-16 mcs.
 L - minimum less than 1.4 uhy
 L - maximum greater than 1.8 uhy
 Q - greater than 80
 F - 7.9 mcs

MECHANICAL SPECIFICATIONS

PHENOLIC coil form
 Powdered iron tuning slug
 Stud mounted 1/4-28 threads
 12 turns
 #24 magnet wire
 Color Code - Red

REQ. ITEM	REQ. ITEM	PART NO.	DESCRIPTION	SYMBOL
			THE TECHNICAL MATERIEL CORP. MAMARONECK, NEW YORK	
			COIL, RF, TUNED, 8-16 MC	
			MATERIAL	
			HEAT TREAT. SPEC.	
			TYPE & TEMPER	
			FINISH & SPEC. NO.	
ISSUE	CH. NO.	DRAFTS	CHECKER	ENG. APP.
A	17380	440	<i>[Signature]</i>	
CHANGED FROM	DATE	SCALE:	MAXIMUM ALLOWABLE TOLERANCES HAVE BEEN DETERMINED AND ANY DEVIATIONS WILL BE CAUSE FOR REJECTION. REMOVE ALL BURRS AND SHARP EDGES	
COIL FORM WAS CER	12.6.66	NPL	2A-1614-3	
TOLERANCES				
DEC. DIM. ±				
FRAC. DIM. ±				
ANGULAR DIM. ±				
DRAWN			CHECKED	FINAL APPR VAL
AR			AR	CL-151 A
MJT 1-7-59			ELEC. DES. APP. MECH. DES. APP	