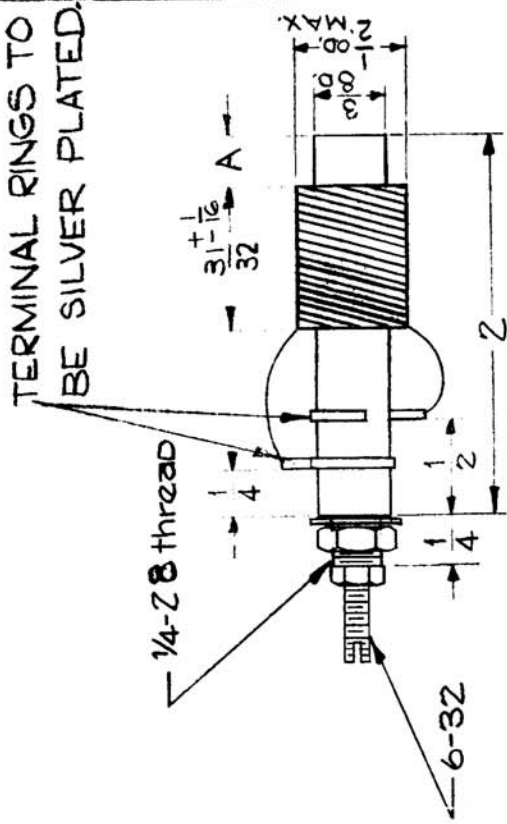


REQ. PART UNIT	MODEL	USED ON ASS'Y. NO.	DATE
Z	SLM-2		11-2-59

CL-186 A

NOTE: TERMINAL RINGS TO BE SILVER PLATED.



~ ELECTRICAL SPECIFICATIONS ~
 NOMINAL IND - - - - - 2.5 mh.
 Min. IND - - - - - < 1.5 mh.
 Max IND - - - - - > 3.5 mh.
 Q AT NOMINAL IND > 50 AT 250 KC.
 NOTE:
 ENTIRE COIL IMPREGNATED w/Q-MAX.

A - 1/4 MAX, 1/16 MIN.

NOTE: MFR. TO SUPPLY (1) 6-32x1/4 NUT BRASS NICKEL PLATED
 (1) 1/4-28 x 3/8 NUT BRASS NICKEL PLATED
 (1) 1/4 INT LOCKWASHER NICKEL PLATED

COIL FORM: PHENOLIC, OR PAPER

REQ. ITEM	PART NO.	DESCRIPTION	SYMBOL
		THE TECHNICAL MATERIEL CORP. MAMARONECK, NEW YORK	
		COIL, R.F., TUNED	
A 1	10074	DIMS. REVISED, NOTES ADDED TITLE WAS, COIL, R.F.	
ISSUE ITEM	CH. NO.	DRAFTS CHECKER	ENG. APP.
	5-401-79		
TOLERANCES			
MAXIMUM ALLOWABLE TOLERANCES HAVE BEEN DETERMINED AND ANY DEVIATIONS WILL BE CAUSE FOR REJECTION. REMOVE ALL BURRS AND SHARP EDGES			
DEC. DIM. ±			
FRAC. DIM. ±			
ANGULAR DIM. ±			
		DJMANUSO	
		DRAWN	CHECKED
			FINAL APPROVAL
			CL-186
			A