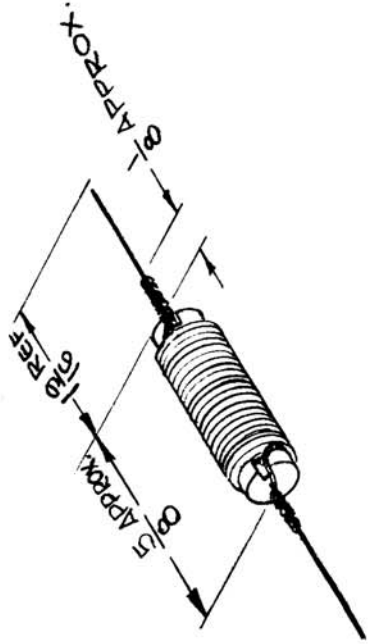


THE CONTENTS OF THIS DRAWING ARE THE EXCLUSIVE PROPERTY OF THE TECHNICAL MATERIEL CORP. ITS UNAUTHORIZED USE OR REPRODUCTION IN WHOLE OR IN PART IS STRICTLY FORBIDDEN.

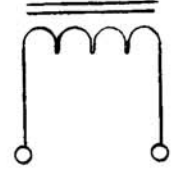
REQ. PER. UNIT
1

USED ON
MODEL
GPR-92
ASS'Y. NO.
A-2508
DATE
10-13-62

CL-306



— ELECTRICAL SPECIFICATIONS —
Q = 85 @ 7.95 MCS
L < 9 MHY
R = 0



SCHEMATIC

REQ. ITEM	PART NO.	DESCRIPTION	SYMBOL
SYM: LIII		THE TECHNICAL MATERIEL CORP. MAMARONECK, NEW YORK	
	STOCK SIZE	COIL, R.F.	
	MATERIAL		
	TYPE & TEMPER	G.D.L	
	HEAT TREAT. SPEC.	CHECKED DRAWN	
	FINISH & SPEC. NO.	MECH. DES. APP. ELEC. DES. APP.	
	DATE	SCALE: 1A-3090	
	CH. NO.	1A-3090	
	DRAFTS		
	CHECKER		
	ENG. APP.		
SYM	DESCRIPTION		
	UNLESS OTHERWISE SPECIFIED: DIMENSIONS ARE IN INCHES TOLERANCES ON FRAC. ± 1/64 DEC. ± .003 ANGLES ± 1/2°		
		FINAL APPROVAL	
		CL-306	