

THE CONTENTS OF THIS DRAWING ARE THE EXCLUSIVE PROPERTY OF THE TECHNICAL MATERIEL CORP. ITS UNAUTHORIZED USE FOR REPRODUCTION IN WHOLE OR IN PART IS STRICTLY FORBIDDEN.

REQ. PER UNIT
2

MODEL
TTR-10

USED ON
ASSY. NO.
1 AX-418
1 A-317

DATE
5-24-63

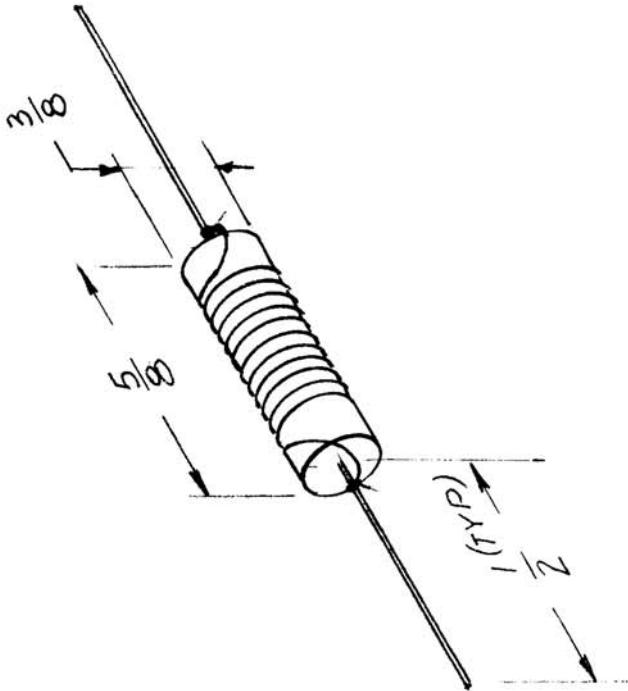
CL-318 A

WINDING INFORMATION

1. 12-1/2 TURNS, CLOSEWOUND, SINGLE LAYER
2. SOLID COIL FORM, G2 MATERIAL

ELECTRICAL SPECIFICATIONS

INDUCTANCE L = 2.55 uhy \pm 1.1 uhy
 MINIMUM Q = 80 AT TEST FREQUENCY OF 25 MC
 D.C. RESISTANCE = .008 OHMS
 CURRENT RATING = 3.5 AMPS AT 60 cps



UNLESS OTHERWISE SPECIFIED DIMENSIONS ARE IN INCHES AND INCLUDE CHEMICALLY APPLIED OR PLATED FINISHES

DECIMALS
 X \pm .05
 XX \pm .01
 XXX \pm .005

FRACTIONS
 \pm 1/64
 ANGLES
 \pm 0° 30'

TOLERANCES
 A

SCALE
 9.18.64 12411 kb @ MLV
 DATE CH. NO. DRAFTS CHECKER ENG. APP.

CODE
 A 1A-317B

REQ. ITEM	PART NO.	DESCRIPTION	SYMBOL
		KOHN	E3037-44
STOCK SIZE		THE TECHNICAL MATERIEL CORP. MAMARONECK. NEW YORK	
MATERIAL		COIL, RF FIXED	
TYPE & TEMPER	HEAT TREAT. SPEC.	DRAWN	CHECKED
		G.D.L.	JUL 5/22/63
FINISH & SPEC. NO.		RONKOHN 9/4/63	FINAL APPROVAL
		ELEC. DES. APP.	MECH. DES. APP.
			CL-318 A