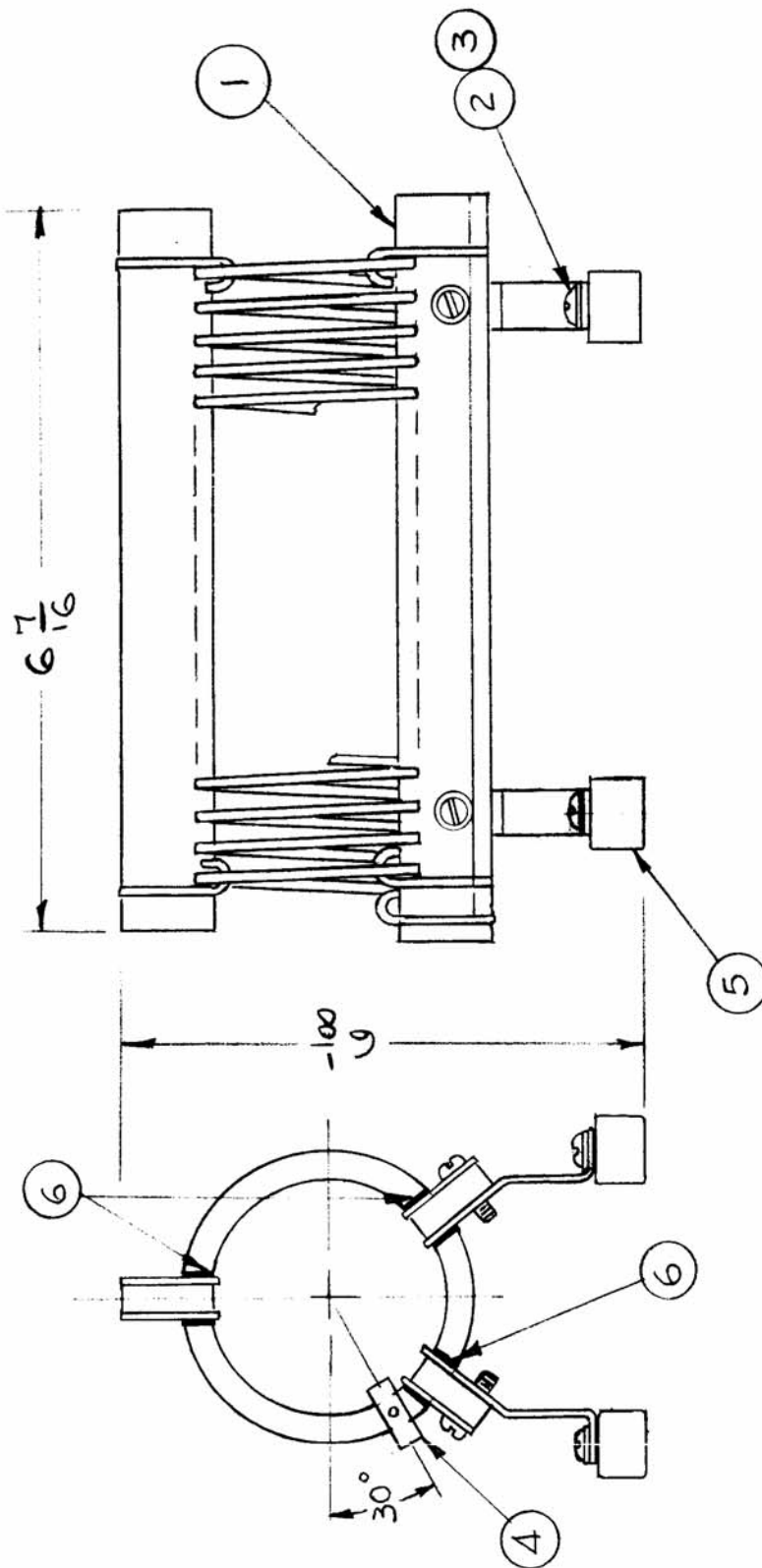


CL-345

USED ON  
 REQ. PER UNIT: 1  
 MODEL: TU-2  
 ASSY. NO.: 9-4-64  
 DATE: 9-4-64



ELECTRICAL SPECS  
 INDUCTANCE: 41 μH  
 AMPS: 5

REQ. ITEM	PART NO.	DESCRIPTION	SYMBOL
X 6	BS 100	SOLDEE, SOFT	
4 5	NS3W03-6	INSULATOR, PILLAR, ROUND	
2 4	PM 272	COIL, LUGS	
4 3	LWEO8MRN	WASHER, LOCK, EXT.	
4 2	SCBP0832BNS	SCREW, MACHINE	
1 1	CL118-41-1	COIL, FIXED - 41 μH	
		HAY	
		THE TECHNICAL MATERIEL CORP. MAMARONECK. NEW YORK	
		COIL, RF	
+	+	G.D.L @ 9-10-64	
TYPE & TEMPER		DRAWN	CHECKED
HEAT TREAT. SPEC.			
FINISH & SPEC. NO.			
		ELEC. DES. APP. MECH. DES. APP.	FINAL APPROVAL
			CL-345

SYM	DESCRIPTION	DATE	CH. NO.	DRAFTS	CHECKER	ENG. APP.
φ	ORIGINAL RELEASE FOR PRODUCTION	9/5/64	-			
UNLESS OTHERWISE SPECIFIED DIMENSIONS ARE IN INCHES AND INCLUDE CHEMICALLY APPLIED OR PLATED FINISHES		SCALE		NOT SCALE		
TOLERANCES		FRACTIONS		CODE		
.XX ± .01		± 1/64		A		
.XXX ± .005		± .0° 30'				