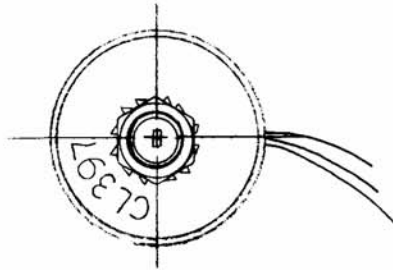
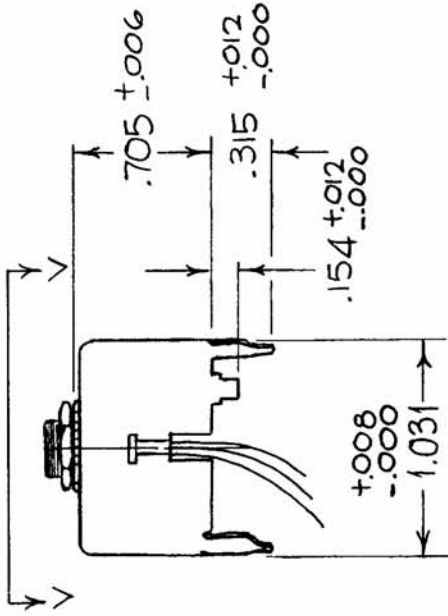
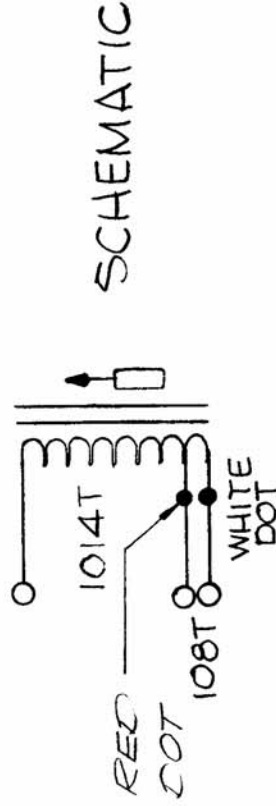


REQ. PER UNIT	USED ON		DATE
4	MODEL	ASSY. NO.	DATE
	CFA-2	A4476	5-14-66
CL397			A

INDUCTANCE: 750MH ± .5% @ 1KC

DC RESISTANCE: APPROX. 920HM

UNLOADED Q: 100 MINIMUM AT 2550CPS



VIEW V-V

4	ADD RED DOT TO TAP	5/1/70	1984	GE	<i>[Signature]</i>			
Ø	ORIGINAL RELEASE FOR PRODUCTION	9-27-66	Ø	RME				
X4	PICT REV., IND WAS ± 5%	8/23/66	-A-	Jc	Jc	Jc	Jc	
X3	1014T WAS 972T	8-3-66	-A-	Jc	Jc	Jc	Jc	
X2	@ 1KC ADDED TO INDUCTANCE	6-1-66	-A-	Jc	Jc	Jc	Jc	
X1	SCHEMATIC REVISED	5/27/66	-A-	Jc	Jc	Jc	Jc	
SYM	DESCRIPTION	DATE	CH. NO.	DRAFTS	CHECKER	ENG. APP.		
UNLESS OTHERWISE SPECIFIED DIMENSIONS ARE IN INCHES AND INCLUDE CHEMICALLY APPLIED OR PLATED FINISHES							SCALE	
DECIMALS							FRACTIONS	
.X ± .05							± 1/64	
.XX ± .01							± .0030	
.XXX ± .005							± .0030	
TOLERANCES							CODE	2A4457

REQ. ITEM	PART NO.	DUDDLES	DESCRIPTION	SYMBOL
			THE TECHNICAL MATERIEL CORP. MAMARONECK. NEW YORK	
			COIL, AF ADJUSTABLE	
			MATERIAL	
		Jc	Jc	MM 9/24/66
			DRAWN	
			9-23-66	
			0. Duddles	
			ELEC. DES. APP.	
			MECH. DES. APP.	
			HEAT TREAT. SPEC.	
			CHECKED	
			FINAL APPROVAL	
			CL397	A