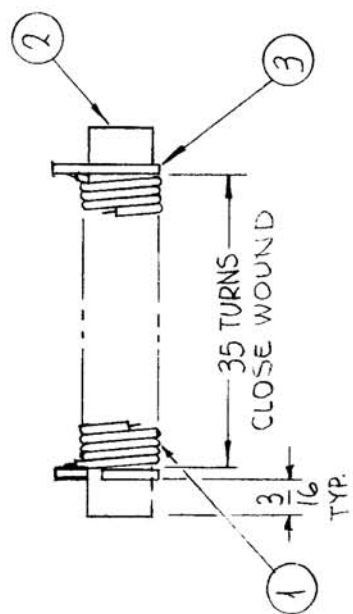


REQ. PER UNIT	USED ON	MODEL	ABBY. NO.	DATE
1		TLAA-2.5K	A5495	6-7-66

CL405 \emptyset



REQ. ITEM	PART NO.	F. BUDETTI DESCRIPTION	SYMBOL
X 5	BS100	SOLDER, TIN ALLOY	
X 4	GL104-2	UBS, INSG. VARN. ELECT.	
2 3	TE153-1	TERM., RING TYPE	
1 2	CI112Q1-2ROF	CORE, ROD	
X 1	WI147-3	WIRE, ELEC., TEF.	

REQ. ITEM	PART NO.	F. BUDETTI DESCRIPTION	SYMBOL
		THE TECHNICAL MATERIEL CORP. MAMARONECK. NEW YORK	
STOCK SIZE			
MATERIAL			
TYPE & TEMPER	HEAT TREAT. SPEC.	CHECKED	FINAL APPROVAL
		RF	RF
ELEC. DES. APP. MECH. DES. APP.			
FINISH & SPEC. NO.			
CL405 \emptyset			

SYM	DESCRIPTION	DATE	CH. NO.	DRAFTS	CHECKER	ENG. APP.
X ₂	ORIGINAL RELEASE	11/1/66	X ₂	RF		
X ₁	GL104-2 WAS GL130 DMC WAS 1-2	9-21-66	X ₁	RF		
X	ITEM 2 WAS CI112Q2-2-B	8-22-66	X	RF		
X	EXP. RELEASE	7-29-66	X	RF		

UNLESS OTHERWISE SPECIFIED DIMENSIONS ARE IN INCHES AND INCLUDE CHEMICALLY APPLIED OR PLATED FINISHES	SCALE	1:1
DECIMALS	TOLERANCES	FRACTIONS
.X ± .05	± .001	± 1/64
.XX ± .01	± .002	± 1/32
.XXX ± .005	± .005	± 0° 30'
CODE		
A		