

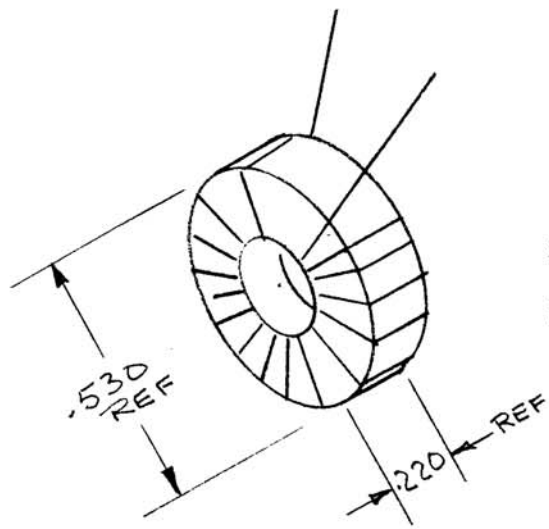
APPLICATION			REVISIONS						
QTY	MODEL USED ON	ASS'Y NO.	LTR	DESCRIPTION	DATE	E.M.N.NO	DRAFT	CHKD	APPD
	MSAR-4		X	EXPERIMENTAL RELEASE					
			Ø	ORIG. RELEASE FOR PROD.	12/13/68				
			A	DIMENSIONS ADDED	3/23/69	#	fda	fda	ap

ELECTRICAL SPECIFICATIONS

L: 7.3 uH ±1%

Q: 120 MIN

TEST FREQ: 7.9 MHz



WINDING DATA

1. TURNS: 35
2. UNIFORM SPACING ON WINDINGS.
3. TO OBTAIN EXACT INDUCTANCE SPACING MAYBE VARIED SLIGHTLY.

REQ'D	ITEM	PART NUMBER	DESCRIPTION	SYM.
1	2	CI140-1	COIL, FORM	
X	1	WI141-28-9-T2	WIRE, ELECTRICAL	

UNLESS OTHERWISE SPECIFIED DIMENSIONS ARE IN INCHES AND INCLUDE CHEMICALLY APPLIED OR PLATED FINISHES

DECIMALS: .X ± .05, .XX ± .01, .XXX ± .005
 FRACTIONS: 1/64
 TOLS.: ANGLS 0°-30'

MATERIAL	MECH. DES.	DATE
FINISH	ELECT. DES.	DATE
	CHECKED	DATE
	DRAWN	DATE

LIST OF MATERIAL

THE TECHNICAL MATERIEL CORP.
MAMARONECK, NEW YORK

COIL, TOROIDAL, FIXED

NOTICE TO PERSONS RECEIVING THIS DRAWING
 THE TECHNICAL MATERIEL CORPORATION claims proprietary right in the material disclosed hereon. This drawing is issued in confidence for engineering information only and may not be reproduced or used to manufacture anything shown hereon without permission from THE TECHNICAL MATERIEL CORPORATION to the user. This drawing is loaned for mutual assistance and is subject to recall at any time.

SIZE	CODE IDENT. NO.	DWG NO.	ISSUE
A	82679	CL 436	A
SCALE		SHEET	OF