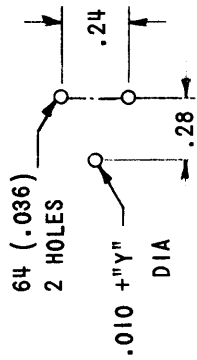
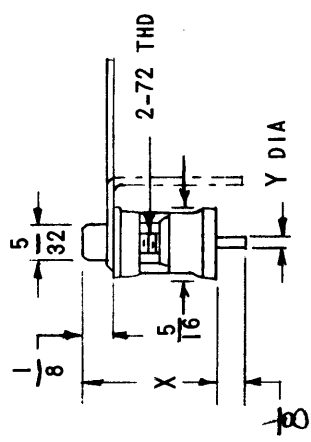
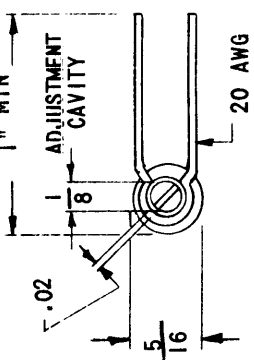


ZONE	LTR	DESCRIPTION	DATE	E.M.N.O	DRAFT	CHKD	APPD
	X	EXPERIMENTAL RELEASE	9/2/68	X	CV	JQ	MLB
	Ø	ORIG. RELEASE FOR PROD.		Ø	R.G.		
	A	NOTE ADDED	6/22/70	19901	CV	MS	BP



TMC P/N	CAT NO	TUNING RANGE (pF)		X" ±1/32	Q		VOLTAGE DCWV
		FROM BELOW	TO ABOVE		AT 1Mc	AT 20Mc	
CT108-1	TF5A	.8	4.5	.470	650	650	750
-2	TF6A	.8	5.5	.470	1000	1000	750
-3	TF8A	1.0	8.5	.615	1000	1000	750
-4	TF9A	.8	8.5	.695	650	650	750
-5	TF11A	.8	11.0	.695	900	900	750
-6	TF12A	.8	12.0	.895	650	650	750
-7	TF17A	.8	16.0	.895	800	800	750
-8	TF10A	1.2	10.0	.430	1000	1000	500
-9	TF14A	1.0	14.0	.530	700	700	1000
-10	TF15A	1.2	16.0	.480	1000	1000	500
-11	TF16A	1.0	16.0	.530	800	800	1000
-12	TF22A	2.0	22.0	.580	800	600	500
-13	TF25A	2.0	25.0	.580	800	600	500
-14	TF28A	1.0	28.0	.770	700	600	1000
-15	TF36A	1.0	36.0	.770	800	700	1000

NOTE:

- PARTS TO BE SEALED AND CAPABLE OF WITHSTANDING 40PSI (PER MIL-C-14409).
- ADJUSTMENT SCREW HAS NO VERTICAL MOVEMENT WHEN ROTATED.

REQ'D	ITEM	PART NUMBER	DESCRIPTION	SYM.
LIST OF MATERIAL				
THE TECHNICAL MATERIEL CORP. MAMARONECK, NEW YORK				
CAPACITOR, TRIMMER, VARIABLE				
SIZE	CODE IDENT. NO.	DWG NO.	CT 108	ISSUE
B	82679			A
SCALE		SHEET		OF
		1		

UNLESS OTHERWISE SPECIFIED DIMENSIONS ARE IN INCHES AND INCLUDE CHEMICALLY APPLIED OR PLATED FINISHES	DECIMALS .X ± .05 .XX ± .01 .XXX ± .005	FRACTIONS 1/64 ANGLES 0°-30'
FINAL APPROVAL	DATE	DATE
TECH. DES.	DATE	DATE
ELECT. DES.	DATE	DATE
CHECKED	DATE	DATE
DRAWN	DATE	DATE

QTY / UNIT	MODEL USED ON	ASS'Y NO.
	APPLICATION	
	CODE	S401-375
<p>NOTICE TO PERSONS RECEIVING THIS DRAWING</p> <p>THE TECHNICAL MATERIEL CORPORATION claims proprietary right in the material disclosed hereon. This drawing is issued in confidence for engineering information only and may not be reproduced or used to manufacture anything shown hereon without permission from THE TECHNICAL MATERIEL CORPORATION to the user. This drawing is loaned for mutual assistance and is subject to recall at any time.</p>		