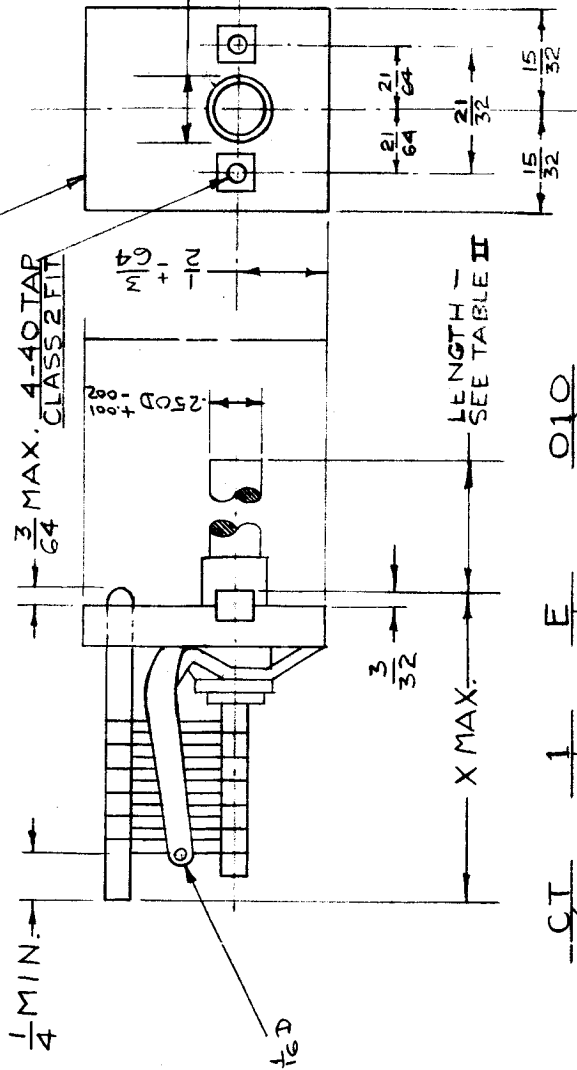


IF IT IS FOUND DESIRABLE TO CHANGE ANY TOLERANCE OR OTHER DETAIL SPECIFIED ON THIS DRAWING NOTIFY THE PURCHASER PROMPTLY.

MAXIMUM ALLOWABLE TOLERANCES HAVE BEEN DETERMINED AND DEVIATIONS WILL BE CAUSE FOR REJECTION. REMOVE ALL BURRS AND SHARP EDGES

CLASS	60 ~ DC.
1	600 VOLTS
2	800 1,150
3	1,200 1,700

CHAR.	SHAFT TYPES	SHAFT LG.
B	SLOTTED FOR SCREW DRIVER	7/16
C	DO	7/16
E	ROUND FOR KNOB SETTING	1
H	DO	1 1/2



CT 1 E O10
 COMPONENT CLASS CHARACTER- CAPACITANCE

STANDARD DRAWING

CT

MODEL	USED ON		DATE
	PROJECT NO.	ASSY. NO.	
TYPE	DESIGNATION	CAPACITANCE	X
		MINIMUM	(MAX.)
		MAXIMUM	
CT1-010	µFf 3.5	µFf 9.0	15/16
CT1-025	4.0	23.0	1 1/16
CT1-040	5.0	42.0	1 3/16
CT1-075	6.0	75.0	1 1/2
CT1-100	7.5	99.0	1 1/16
CT1-135	9.0	135.0	1 5/16
CT1-150	9.0	143.0	1 5/16
CT2-010	3.5	9.0	15/16
CT2-025	4.0	23.0	3/32
CT2-040	5.0	42.0	3/8
CT2-075	6.0	75.0	5/8
CT2-100	7.5	99.0	2 3/32
CT3-010	4.0	9.0	
CT3-025	4.5	23.0	1 1/4
CT3-040	5.5	42.0	3/4
CT3-075	6.5	75.0	2

REF: JAN-C-92 AND AMEND.

REQ. ITEM	PART NO.	DESCRIPTION	SYMBOL
		THE TECHNICAL MATERIEL CORP.	
		MAMARONECK. NEW YORK	
		CAPACITORS, AIR DIELECTRIC,	
		VARIABLE	
		DRAWN	MECH. DES. APP.
		CHECKED	
		DATE	
		FINAL APPROVAL	
		CT	

ISSUE ITEM	CHANGED FROM	DATE	CN. NO.	DRAFTS CHECKER	ENG. APP.
TOLERANCES *					
SCALE					
DRILL, PUNCH, COMMERCIAL STOCK SIZES AND MANUFACTURERS TOLERANCES ARE NOT INCLUDED.					
ALL OTHERS	DEC. DIM. ±				
	FRAC. DIM. ±				
	ANGULAR DIM. ±				

STANDARD DRAWING

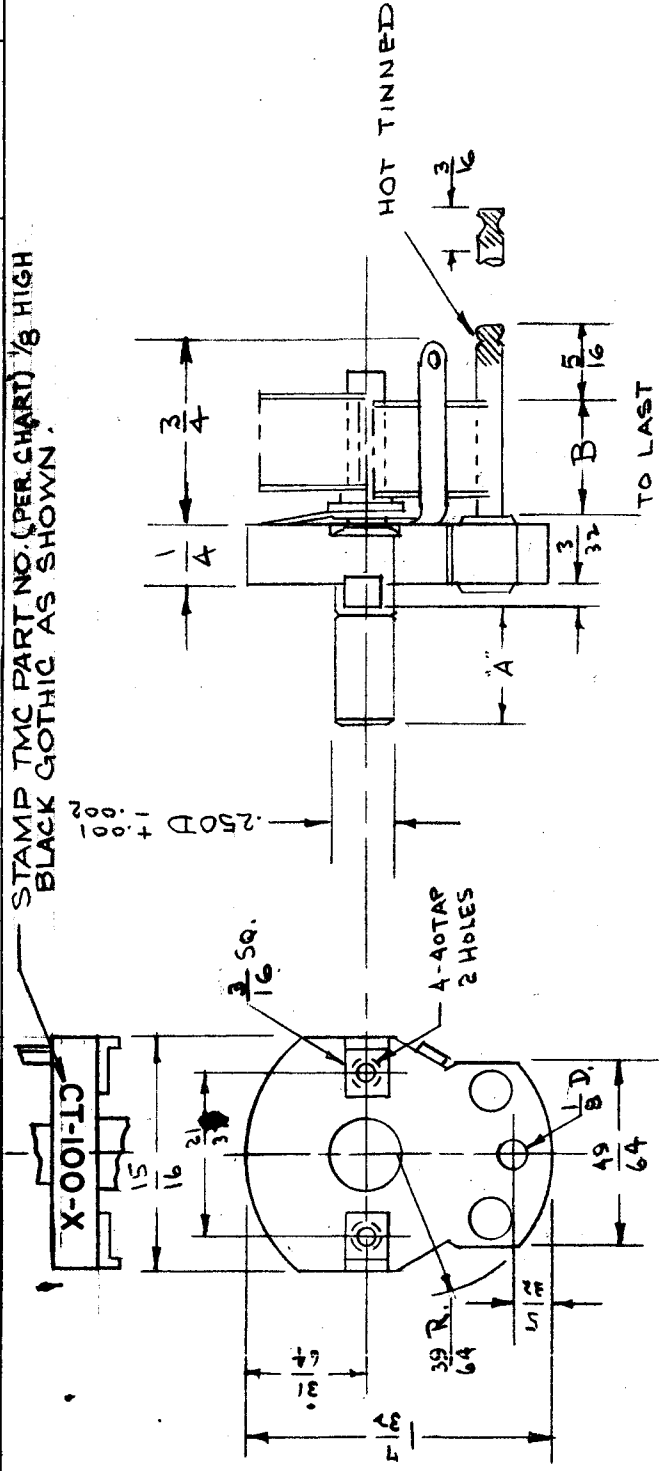
CT-100 F

IF IT IS FOUND DESIRABLE TO CHANGE ANY TOLERANCE OR OTHER DETAIL SPECIFIED ON THIS DRAWING NOTIFY THE PURCHASER PROMPTLY.

MAXIMUM ALLOWABLE TOLERANCES HAVE BEEN DETERMINED AND DEVIATIONS WILL BE CAUSE FOR REJECTION. REMOVE ALL BURRS AND SHARP EDGES

MODEL PROJECT NO. ASSY. NO. DRAWN

STAMP TMC PART NO. (PER CHART) 1/8 HIGH BLACK GOTHIC AS SHOWN.



TMC NO.	MFG. NO.	CAPACITY		PLATES	"A" FROM MFG. POST	"B" TEST VOLTAGE
		MIN	MAX			
CT-100-1	APC-508	3.9	50	14	7/8 (.875)	1/2 600V. R.M.S.
CT-100-2	APC-100-B	5.5	100	27	7/8 (.875)	59/64 600V. R.M.S.
CT-100-3	11726-289	6.6	135	36	7/8 (.875)	1-5/32 600 V.R.M.S.

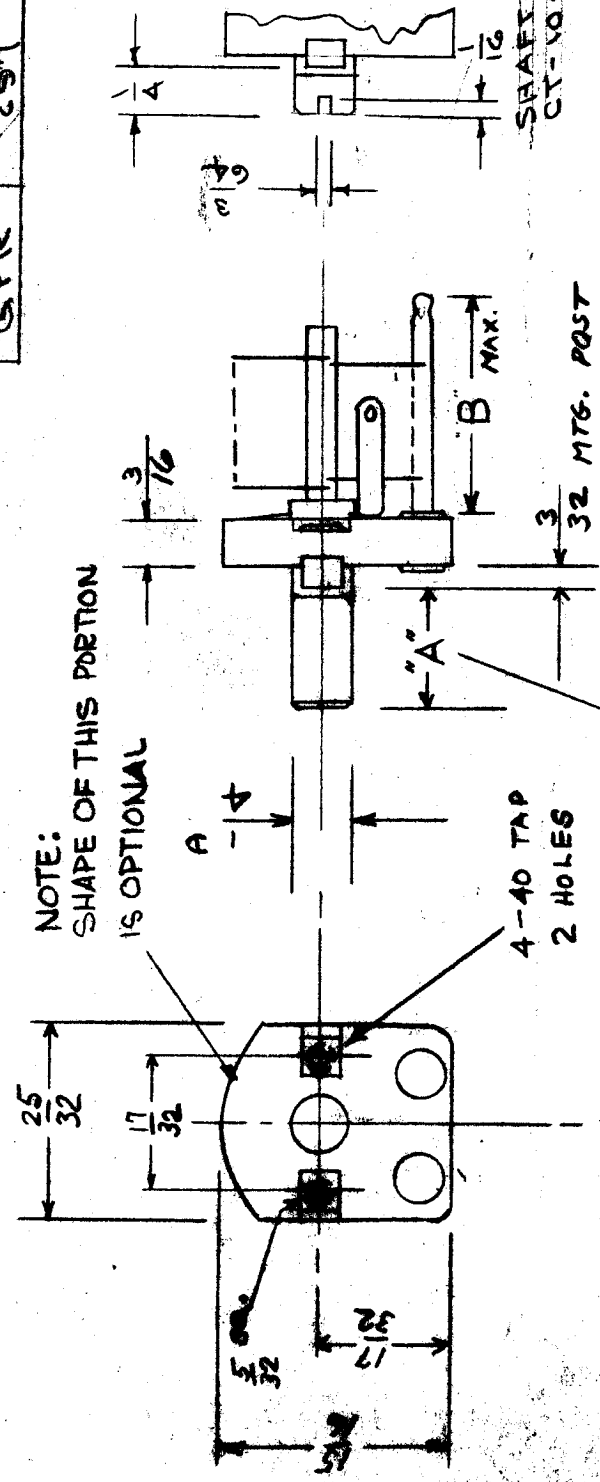
ISSUE ITEM	CHANGED FROM	DATE	CN. NO.	DRAFTS CHECKER	ENG. APP.
F 1	ADDED PART NO. STAMP	8-16-68	9786	AK	WDC
F 1	UNPR. REF. CODE NO. ADDED	9-16-68	7379	FS	WDC
D 1	CT-100-3 ADDED	10-15-68	6542	G.S.	WDC
C 1	CAP. MAX. WAS 70% TEST VOL. ADDED	11-23-68	6444	EL	WDC
B 1	CT-100-2 ADDED	1-10-69	2	PE	WDC
A 1	MFG. NO. WAS APC-50	1-20-69	1	16	WDC
	"A" DIMENSION RELOCATED				
	7/8 WAS 21/32				

REQ. ITEM	PART NO.
STOCK SIZE	
MATERIAL	
TYPE & TEMPER	
HEAT TREAT. SPEC.	
FINISH & SPEC. NO.	

DESCRIPTION	SYMBOL
THE TECHNICAL MATERIEL CORP. MAMARONECK. NEW YORK	
CAPACITOR, VARIABLE AIR TRIMMER.	
C.D.D.	
DRAWN	
CHECKED	
ELEC. DES. APP.	
MECH. DES.	
FINAL APPROV.	
AMS 345	CT-100 F

IF IT IS FOUND DESIRABLE TO CHANGE ANY TOLERANCE OR OTHER DETAIL SPECIFIED ON THIS DRAWING NOTIFY THE PURCHASER PROMPTLY.

MAXIMUM ALLOWABLE TOLERANCES HAVE BEEN DETERMINED AND DEVIATIONS WILL BE CAUSE FOR REJECTION. REMOVE ALL BURRS AND SHARP EDGES



STRAIGHT DETAIL
CT-104-A-3

Commercial Standard Sheet

TMC REV.	CAPACITY - UUF		PLATES	PLATING	"A"	"B"
	MIN	MAX				
CF-104-1	2.2	50	19	11/16	57/64	57/64
CF-104-2	2.3	15	6	7/8	57/64	57/64
CF-104-3	3.2	50	19	SEE DETAIL	57/64	57/64
CF-104-4	2.9	35	14	7/8	57/32	57/32
CF-104-5	2.3	15	6	7/16	57/64	57/64
CF-104-6	2.3	15	6	2"	57/64	57/64

ITEM	ITEM	QUANTITY	UNIT	REMARKS
1	1/16	1	PC	ADDED TO ALL 5 DIMS
2	1/16	1	PC	ADDED TO ALL 5 DIMS
3	1/16	1	PC	ADDED TO ALL 5 DIMS
4	1/16	1	PC	ADDED TO ALL 5 DIMS
5	1/16	1	PC	ADDED TO ALL 5 DIMS
6	1/16	1	PC	ADDED TO ALL 5 DIMS
7	1/16	1	PC	ADDED TO ALL 5 DIMS
8	1/16	1	PC	ADDED TO ALL 5 DIMS
9	1/16	1	PC	ADDED TO ALL 5 DIMS
10	1/16	1	PC	ADDED TO ALL 5 DIMS
11	1/16	1	PC	ADDED TO ALL 5 DIMS
12	1/16	1	PC	ADDED TO ALL 5 DIMS
13	1/16	1	PC	ADDED TO ALL 5 DIMS
14	1/16	1	PC	ADDED TO ALL 5 DIMS
15	1/16	1	PC	ADDED TO ALL 5 DIMS
16	1/16	1	PC	ADDED TO ALL 5 DIMS
17	1/16	1	PC	ADDED TO ALL 5 DIMS
18	1/16	1	PC	ADDED TO ALL 5 DIMS
19	1/16	1	PC	ADDED TO ALL 5 DIMS
20	1/16	1	PC	ADDED TO ALL 5 DIMS
21	1/16	1	PC	ADDED TO ALL 5 DIMS
22	1/16	1	PC	ADDED TO ALL 5 DIMS
23	1/16	1	PC	ADDED TO ALL 5 DIMS
24	1/16	1	PC	ADDED TO ALL 5 DIMS
25	1/16	1	PC	ADDED TO ALL 5 DIMS
26	1/16	1	PC	ADDED TO ALL 5 DIMS
27	1/16	1	PC	ADDED TO ALL 5 DIMS
28	1/16	1	PC	ADDED TO ALL 5 DIMS
29	1/16	1	PC	ADDED TO ALL 5 DIMS
30	1/16	1	PC	ADDED TO ALL 5 DIMS
31	1/16	1	PC	ADDED TO ALL 5 DIMS
32	1/16	1	PC	ADDED TO ALL 5 DIMS
33	1/16	1	PC	ADDED TO ALL 5 DIMS
34	1/16	1	PC	ADDED TO ALL 5 DIMS
35	1/16	1	PC	ADDED TO ALL 5 DIMS
36	1/16	1	PC	ADDED TO ALL 5 DIMS
37	1/16	1	PC	ADDED TO ALL 5 DIMS
38	1/16	1	PC	ADDED TO ALL 5 DIMS
39	1/16	1	PC	ADDED TO ALL 5 DIMS
40	1/16	1	PC	ADDED TO ALL 5 DIMS
41	1/16	1	PC	ADDED TO ALL 5 DIMS
42	1/16	1	PC	ADDED TO ALL 5 DIMS
43	1/16	1	PC	ADDED TO ALL 5 DIMS
44	1/16	1	PC	ADDED TO ALL 5 DIMS
45	1/16	1	PC	ADDED TO ALL 5 DIMS
46	1/16	1	PC	ADDED TO ALL 5 DIMS
47	1/16	1	PC	ADDED TO ALL 5 DIMS
48	1/16	1	PC	ADDED TO ALL 5 DIMS
49	1/16	1	PC	ADDED TO ALL 5 DIMS
50	1/16	1	PC	ADDED TO ALL 5 DIMS
51	1/16	1	PC	ADDED TO ALL 5 DIMS
52	1/16	1	PC	ADDED TO ALL 5 DIMS
53	1/16	1	PC	ADDED TO ALL 5 DIMS
54	1/16	1	PC	ADDED TO ALL 5 DIMS
55	1/16	1	PC	ADDED TO ALL 5 DIMS
56	1/16	1	PC	ADDED TO ALL 5 DIMS
57	1/16	1	PC	ADDED TO ALL 5 DIMS
58	1/16	1	PC	ADDED TO ALL 5 DIMS
59	1/16	1	PC	ADDED TO ALL 5 DIMS
60	1/16	1	PC	ADDED TO ALL 5 DIMS
61	1/16	1	PC	ADDED TO ALL 5 DIMS
62	1/16	1	PC	ADDED TO ALL 5 DIMS
63	1/16	1	PC	ADDED TO ALL 5 DIMS
64	1/16	1	PC	ADDED TO ALL 5 DIMS
65	1/16	1	PC	ADDED TO ALL 5 DIMS
66	1/16	1	PC	ADDED TO ALL 5 DIMS
67	1/16	1	PC	ADDED TO ALL 5 DIMS
68	1/16	1	PC	ADDED TO ALL 5 DIMS
69	1/16	1	PC	ADDED TO ALL 5 DIMS
70	1/16	1	PC	ADDED TO ALL 5 DIMS
71	1/16	1	PC	ADDED TO ALL 5 DIMS
72	1/16	1	PC	ADDED TO ALL 5 DIMS
73	1/16	1	PC	ADDED TO ALL 5 DIMS
74	1/16	1	PC	ADDED TO ALL 5 DIMS
75	1/16	1	PC	ADDED TO ALL 5 DIMS
76	1/16	1	PC	ADDED TO ALL 5 DIMS
77	1/16	1	PC	ADDED TO ALL 5 DIMS
78	1/16	1	PC	ADDED TO ALL 5 DIMS
79	1/16	1	PC	ADDED TO ALL 5 DIMS
80	1/16	1	PC	ADDED TO ALL 5 DIMS
81	1/16	1	PC	ADDED TO ALL 5 DIMS
82	1/16	1	PC	ADDED TO ALL 5 DIMS
83	1/16	1	PC	ADDED TO ALL 5 DIMS
84	1/16	1	PC	ADDED TO ALL 5 DIMS
85	1/16	1	PC	ADDED TO ALL 5 DIMS
86	1/16	1	PC	ADDED TO ALL 5 DIMS
87	1/16	1	PC	ADDED TO ALL 5 DIMS
88	1/16	1	PC	ADDED TO ALL 5 DIMS
89	1/16	1	PC	ADDED TO ALL 5 DIMS
90	1/16	1	PC	ADDED TO ALL 5 DIMS
91	1/16	1	PC	ADDED TO ALL 5 DIMS
92	1/16	1	PC	ADDED TO ALL 5 DIMS
93	1/16	1	PC	ADDED TO ALL 5 DIMS
94	1/16	1	PC	ADDED TO ALL 5 DIMS
95	1/16	1	PC	ADDED TO ALL 5 DIMS
96	1/16	1	PC	ADDED TO ALL 5 DIMS
97	1/16	1	PC	ADDED TO ALL 5 DIMS
98	1/16	1	PC	ADDED TO ALL 5 DIMS
99	1/16	1	PC	ADDED TO ALL 5 DIMS
100	1/16	1	PC	ADDED TO ALL 5 DIMS

MODEL	PROJECT NO.	USED ON
FFR	104	
GPR	297	

DESCRIPTION	THE TECHNICAL MATERIAL CENTER MAMARONECK NEW YORK
PART NO.	CAPACITOR VARI
ITEM	AIR TRIMMER
QUANTITY	1
UNIT	EA
REVISION	BA 8/24/44 G.T.O.

CT-104

STANDARD DRAWING

IF IT IS FOUND DESIRABLE TO CHANGE ANY TOLERANCE OR OTHER DETAIL SPECIFIED ON THIS DRAWING NOTIFY THE PURCHASER PROMPTLY.

CT 105

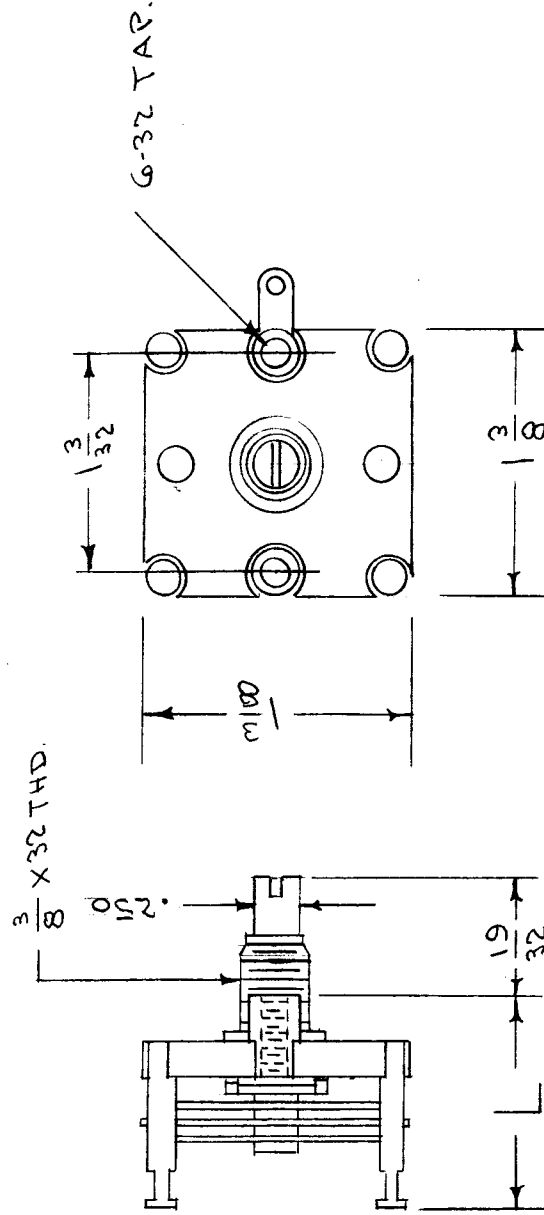
A

MAXIMUM ALLOWABLE TOLERANCES HAVE BEEN DETERMINED AND DEVIATIONS WILL BE CAUSE FOR REJECTION. REMOVE ALL BURRS AND SHARP EDGES

USED ON

REQ. PER UNIT PROJECT NO. ASS'Y. NO. DATE

T.M.C. NO.	CAT. NO.	TYPE	CAP. PER SECT. (NOT LESS NOT MORE THAN MAX THAN MIN)	SPACING	PLATES PER SECTION	L
CT 105-1	167-301	10LA15	10	.030"	3	15/16
CT 105-2	167-302	25LA15	4.9	.030"	7	19/64
CT 105-3	167-303	50LA15	6	.030"	13	17/16



REQ. ITEM	PART NO.	DESCRIPTION	SYMBOL
		THE TECHNICAL MATERIEL CORP.	
		MAMARONECK, NEW YORK	
		CAPACITOR, VARIABLE	
		TUNING	
		CD. A-13-55	
		DRAWN	ELEC. DES. APP. MECH. DES. APP.
		CHECKED	
		G.T.O	
		FINAL APPROVAL	
		CT 105	
			A

ISSUE ITEM	CHANGED FROM	DATE	CN. NO.	DRAFTS	CHECKER	ENG. APP.
A	REV'D PIN CHART DELE REF. ADD S401 NO.	2-12-67	17818	RME	[Signature]	[Signature]
TOLERANCES						
SCALE S401-47						
DRILL, PUNCH, COMMERCIAL STOCK SIZES AND MANUFACTURERS TOLERANCES ARE NOT INCLUDED.						
DEC. DIM. ±						
FRAC. DIM. ±						
OTHERS ANGULAR DIM. ±						