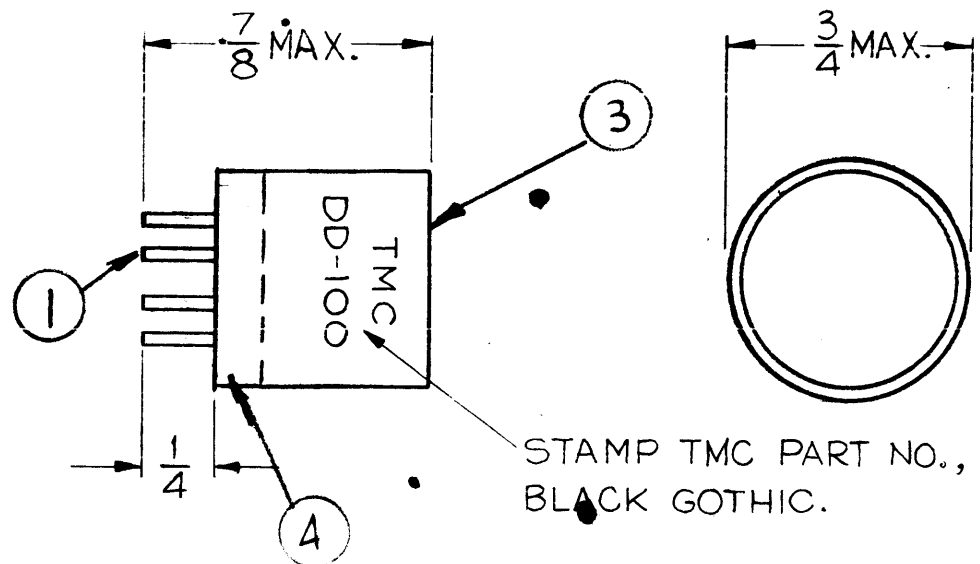
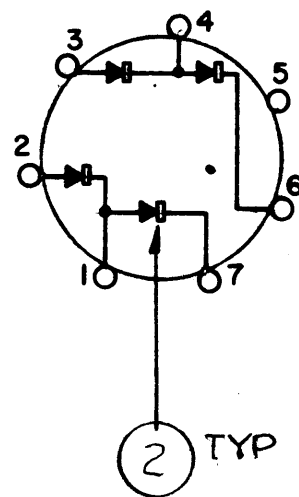


DD-100 B



(NOT TO SCALE)

SCHEMATIC DIAGRAM (BOTTOM VIEW)



**ELECTRICAL SPECIFICATIONS**

**RATINGS--ABSOLUTE MAXIMUM VALUES @ 25°C**

MAXIMUM CONTINUOUS WORKING VOLTAGE	80 VOLTS
AVERAGE RECTIFIED CURRENT	30 MA
PEAK RECTIFIED CURRENT	90 MA
SURGE CURRENT FOR 1 SECOND	300 MA
AMBIENT TEMPERATURE RANGE	-60° TO +90°C
MAXIMUM POWER DISSIPATION AT 25°C	80 MW

**CHARACTERISTICS-- @ 25°C**

MAXIMUM REVERSE CURRENT @ -5 V	5 μA
MAXIMUM REVERSE CURRENT @ -50V	50 μA
MAXIMUM FORWARD CURRENT @ +1V	4 mA
MAXIMUM SHUNT CAPACITANCE @ -10V	1 μmf
MINIMUM REVERSE VOLTAGE FOR ZERO DYNAMIC RESISTANCE	100 VOLTS

MATCHED FOR MAX. DEVIATION OF ALL FOUR DIODES NOT TO EXCEED 5-MV @ 2 MA 25°C

\* MAX. LEAKAGE CURRENT AT 50V (25°C) 30 MA  
 \*\*\*NOTE--THESE VALUES ARE FOR EACH DIODE

X	4	GL137	ADHESIVE
1	3	BX 204-1	CASE
4	2	1N67A	SCOND DEV, DIO, MATCHED SET
1	1	P0261-1	BASE

REQ.	ITEM	PART NO.	DESCRIPTION	SYMBOL
THE TECHNICAL MATERIEL CORP. MAMARONECK, NEW YORK				
DIODE, GERMANIUM, MATCHED				
MATERIAL				
STOCK SIZE				
TYPE & TEMPER HEATTREAT. PEC.				
DRAWN CHECKED FINAL APPROVAL				
FINI H & SPEC. NO. ELEC. DES. APP MECH. DE . APP				

NOTICE TO PERSONS RECEIVING THIS DRAWING  
 THE TECHNICAL MATERIEL CORPORATION claims copyright in the use of this drawing. This drawing is issued in confidence and is for information only and may not be copied or used to manufacture anything shown herein without permission from THE TECHNICAL MATERIEL CORPORATION to the user. This drawing is issued for mutual assistance and is subject to change at any time.

Property of:  
 THE TECHNICAL MATERIEL CORPORATION  
 MAMARONECK, NEW YORK

ISSUE	ITEM	CHANGED FROM	DATE	CH. NO.	DRAFTS	CHECKER	ENG. APP.
B		OBSOLETE NOTE DEL PART LIST ADDED	10-12-75	21286	GDU	[Signature]	[Signature]
A		OBSOLETE ADD.	1/3/74	21094	RE	[Signature]	[Signature]

2	SBE-3		9-11-59
REQ. PER UNIT	MODEL	PROJECT NO.	AS Y. NO. DATE

SCALE: S-401-75 (Q81)  
 MAXIMUM ALLOWABLE TOLERANCES HAVE BEEN DETERMINED AND ANY DEVIATIONS WILL BE CAUSE FOR REJECTION: REMOVE ALL BURRS AND SHARP EDGES

DEC. DIM. ±  
 FRAC. DIM. ±  
 ANGULAR DIM. ±