

REQ. PER UNIT	MODEL	USED ON
2	ACU	DC-101
2	GPT-40K	DC-101
		DATE
		11-4-60
		4-12-61

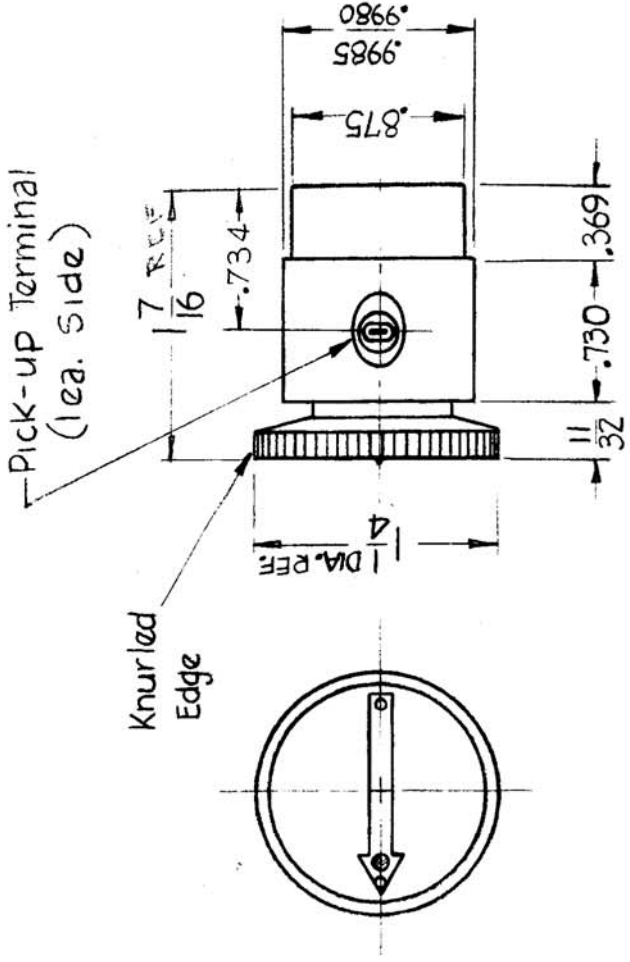
DD-103 E

SPECS

FREQ. RANGE: 2 TO 30 MHZ  
 POWER RATING: 60KW AV  
 COUPLER LINE SIZE: 3/8"  
 LINE IMPEDANCE: 50 OHMS  
 METER USED FOR CALIBRATION:  
 SENSITIVITY: 100PA FS@  
 RATED POWER  
 RESISTANCE: 1825 OHMS  
 CALIBRATION DATA WITH LINE  
 POWER OF 20KW, CW @ 10MHZ  
 ELEMENT DELIVERS: 53.6 μA  
 INTO RESISTANCE OF: 1825 OHMS  
 SINGLE TONE  
 CASE: GOLD PLATED

NOTE

THIS DIODE USE FOR SPARE PARTS ONLY, IT IS NORMALLY SUPPLIED WITH COUPLER, TMC # DC101



REQ. ITEM	PART NO.	DESCRIPTION	SYMBOL
E		THE TECHNICAL MATERIEL CORP. MAMARONECK, NEW YORK	
D		DETECTING ELEMENT, DIRECTIONAL COUPLER	
C			
B			
A			
ISSUE ITEM	CHANGED FROM	CHECKER	ENG. APP.
TOLERANCES			
DEC. DIM. ±	SCALE: S401-164(425000)		
FRAC. DIM. ±	MAXIMUM ALLOWABLE TOLERANCES HAVE BEEN DETERMINED AND ANY DEVIATIONS WILL BE CAUSE FOR REJECTION.		
ANGULAR DIM. ±	REMOVE ALL BURRS AND SHARP EDGES		
	TYPE & TEMPER	HEAT TREAT. SPEC.	FINISH & SPEC. NO.
	DRAWN	CHECKED	FINAL APPROVAL
			DD-103 E