

THE CONTENTS OF THIS DRAWING ARE THE EXCLUSIVE PROPERTY OF THE TECHNICAL MATERIEL CORP. ITS UNAUTHORIZED USE OR REPRODUCTION IN WHOLE OR IN PART IS STRICTLY FORBIDDEN.

REQ. PER UNIT
1

MODEL
KIT-113

USED ON
ASSY. NO.
A-2233

DATE
12-5-61

DD-104

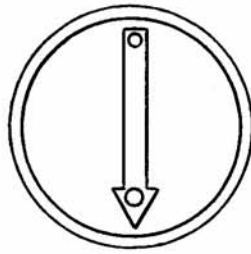
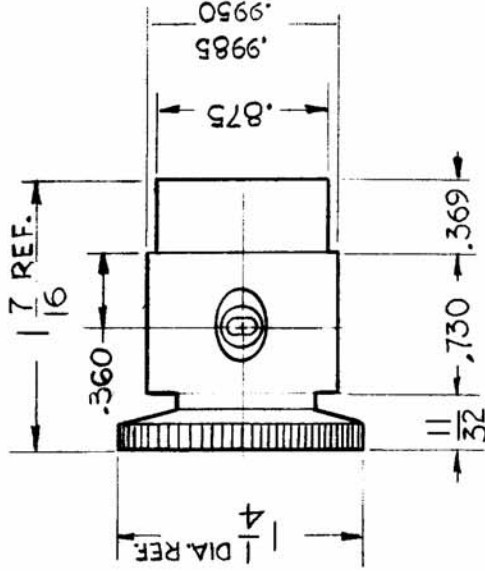
C

SPECS

FREQ RANGE: 2-30 MHZ
 POWER RATING: 10KW AV
 COUPLER LINE SIZE: $1\frac{5}{8}$ "
 LINE IMPEDANCE: 50 OHMS
 METER USED FOR CALIBRATION:
 SENSITIVITY: 100 μ A FS @
 RATED POWER
 RESISTANCE: 1825 OHMS
 CALIBRATION DATA WITH LINE
 POWER OF 4KW CW @ 10MHZ
 ELEMENT DELIVERS: 60.5 μ A
 INTO RESISTANCE OF: 1825 OHMS
 SINGLE TONE

NOTE ~

THIS DIODE IS USED FOR
 SPARE PARTS ONLY, IT IS
 NORMALLY SUPPLIED WITH
 COUPLER, TMC DC102



SYMBOL	DESCRIPTION	PART NO.	REQ. ITEM	REVISION	DATE	CH. NO.	DRAFTS	CHECKER	ENG. APP.	SYMBOL
C	SINGLE TONE ADDED			FB	12-12-61	18668	HR			
B	ELEC SPECS REVISED COMPLETELY				12.12.61	17442	WAO			
A	360 DIM. CLARIFIED				10/3/63	10134	AN			
SYM	DESCRIPTION	MATERIAL	STOCK SIZE							
UNLESS OTHERWISE SPECIFIED: DIMENSIONS ARE IN INCHES TOLERANCES ON FRAC. $\pm 1/64$ DEC. $\pm .005$ ANGLES $\pm 1/20$		THE TECHNICAL MATERIEL CORP. MAMARONECK, NEW YORK								
		DETECTING ELEMENT								
		DIRECTIONAL COUPLER								
		wh	JLB							
		DFW	DFW							
		QA	QA							
		923	923							
		DD-104	DD-104							
		C	C							
		ELEC. DES. APP.	MECH. DES. APP.							
		FINISH & SPEC. NO.								

SCALE: S401-164

MAXIMUM ALLOWABLE TOLERANCES HAVE BEEN DETERMINED AND ANY DEVIATIONS WILL BE CAUSE FOR REJECTION. REMOVE ALL BURRS AND SHARP EDGES