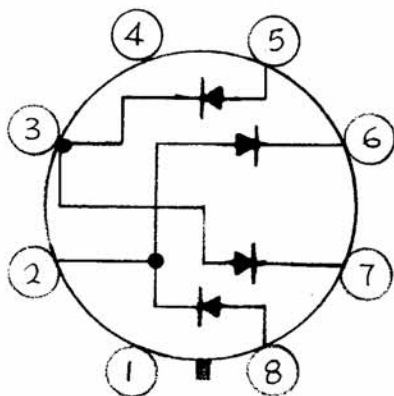


DIMENSIONS FOR REF. ONLY



TERMINAL CONNECTIONS (BOTTOM VIEW)

MARK TMC PART NO. WITH LATEST REVISION LETTER

REQ. PER UNIT	USED ON			DD115	A
	MODEL	ASS'Y. NO.	DATE		
	SBE-2		6-17-64		
	SBE-3		6-17-64		

MECHANICAL DATA

ENVELOPE ~ MT-8 METAL SHELL
 BASE ~ SMALL WAFER OCTAL 8 PIN
 TERMINAL CONNECTIONS ~ SEE DIAGRAM

ABSOLUTE MAXIMUM RATINGS AT 25°C EACH DIODE

INVERSE VOLTAGE ~ 80 VOLTS
 AVERAGE RECTIFIED CURRENT ~ 100 MA
 PEAK RECTIFIED CURRENT ~ 270 MA
 SURGE CURRENT (1 SEC.) ~ 500 MA
 AMBIENT TEMPERATURE RANGE ~ 60 TO +100°C
 LEAKAGE CURRENT (AT -10V) ~ 10 UA

AT 4.0 MA FORWARD CURRENT, ALL FOUR DIODES HAVE BEEN MATCHED TO WITHIN 10 MV.

SYM	DESCRIPTION	DATE	CH. NO.	DRAFTS	CHECKER	ENG. APP.	REQ. ITEM	PART NO.	DEWEY/CAMARDA	DESCRIPTION	SYMBOL		
A	ADD NEW VENDOR CODE ADD MAX TO ALL DIM	6-20-64	19491	GE	<i>Jde</i>	<i>op</i>		#		THE TECHNICAL MATERIEL CORP. MAMARONECK, NEW YORK	DD115		
Ø	ORIGINAL RELEASE FOR PRODUCTION	7-1-64	Ø	A.M.				STOCK SIZE					
X	EXPER. RELEASE	7-1-64	X	A.M.	@	<i>jc</i>		#	DIODE, GERMANIUM, MATCHED				
	UNLESS OTHERWISE SPECIFIED DIMENSIONS ARE IN INCHES AND INCLUDE CHEMICALLY APPLIED OR PLATED FINISHES	SCALE NONE											
	DECIMALS .X ± .05 .XX ± .01 .XXX ± .005	FRACTIONS ± 1/64 ANGLES ± 0° 30'	CODE C	S401-99 (CK 711A) S401-178 (6918)						SRG	@	<i>RAC</i>	
	TOLERANCES								TYPE & TEMPER	HEAT TREAT. SPEC.	DRAWN	CHECKED	FINAL APPROVAL
									#		<i>jc</i>	7/1/64	
									FINISH & SPEC. NO.		ELEC. DES. APP.	MECH. DES. APP.	DD115
													A