

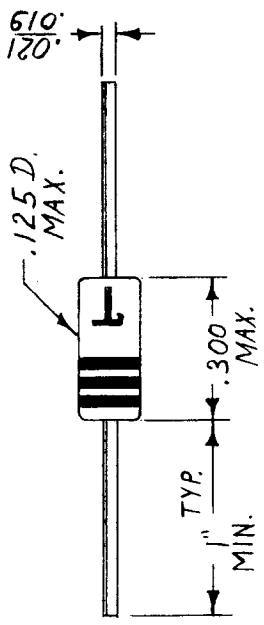
REQ. PER UNIT	6	MODEL	CHG-1	USED ON ASSY. NO.		DATE	9-6-60
				DD-102			

SPECIFICATIONS AT 25° C

TMC PART NO.	TRANSITRON TYPE	MAY. FORWARD VOLTAGE AT 10 MA.	MAY. INVERSE CURRENT AT SPECIFIED VOLTAGE	MAY. INVERSE VOLTAGE @ PULSE RECOVERY TIME (US & C)	MAY. INVERSE PULSE RECOVERY TIME (US & C)	CONT. AVERAGE FORWARD CURRENT MA	PEAK RECURRENT FORWARD CURRENT MA	FORWARD SURGE CURRENT 1 SEC. MA
DD-102-1	S555G	0.5 V	10UA AT .6V	15	.006	30	40	200

MAXIMUM RATINGS AT 25° C

① MEASURED AT 100 MICROAMPS.



ADDITIONAL SPECIFICATIONS
 AMBIENT TEMP. RANGE ~ 55 TO 75° C.
 AVG. POWER DISSIPATION ~ 50 MW.
 DERATING ABOVE 25° C ~ 10 MW/10° C.
 FAST SWITCHING TYPE.

ISSUE/ITEM	CHANGED FROM	DATE	CH. NO.	DRAFTS	CHECKER	ENG. APP.	REQ. ITEM	PART NO.	DESCRIPTION	SYMBOL
									THE TECHNICAL MATERIEL CORP. MAMARONECK, NEW YORK	
									DIODE, GERMANIUM	
									GOLD BONDED	
									APR 1960	
									CHECKED	FINAL APPROVAL
									DD-102	
									ELEC. DES. APP.	MECH. DES. APP.

TOLERANCES
 MAXIMUM ALLOWABLE TOLERANCES HAVE BEEN DETERMINED AND ANY DEVIATIONS WILL BE CAUSE FOR REJECTION. REMOVE ALL BURRS AND SHARP EDGES

DEC. DIM. ±
 FRAC. DIM. ± 1/64
 ANGULAR DIM. ±

REQ. PER UNIT	MODEL	USED ON
2	ACU	DC-101
2	GPT-40K	DC-101
		DATE
		11-4-60
		4-12-61

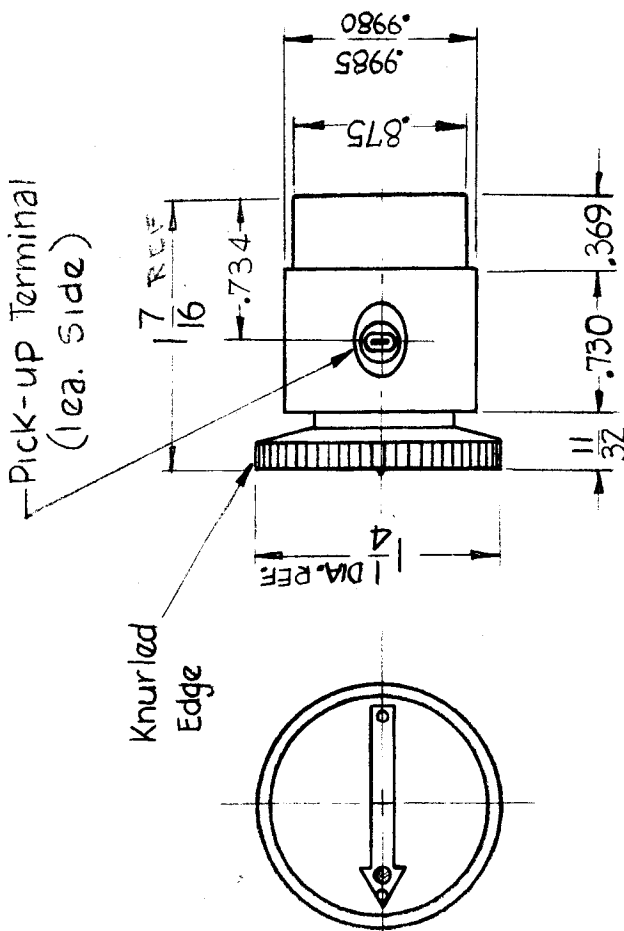
DD-103 E

SPECS

FREQ. RANGE: 2 TO 30 MHZ
 POWER RATING: 60KW AV
 COUPLER LINE SIZE: 3/8"
 LINE IMPEDANCE: 50 OHMS
 METER USED FOR CALIBRATION:

SENSITIVITY: 100µA FS @
 RATED POWER
 RESISTANCE: 1825 OHMS
 CALIBRATION DATA WITH LINE
 POWER OF 20KW, CW @ 10MHZ
 ELEMENT DELIVERS: 53.6µA
 INTO RESISTANCE OF: 1825 OHMS
 SINGLE TONE
 CASE: GOLD PLATED

~ NOTE ~
 THIS DIODE USE FOR SPARE
 PARTS ONLY, IT IS NORMALLY
 SUPPLIED WITH COUPLER,
 TMC # DC101



REQ. ITEM	CH. NO.	DATE	DRAFTS	CHECKER	ENG. APP.	DESCRIPTION	SYMBOL
E	18668	12-12-67	443	FB			
D	17442	11-12-66	440	FB			
C	626481	3-6-62	515	FB			
B	4629	4/12/61	100M	FB			
A	3610	11/29/60	100M	FB			
ISSUE ITEM						TOLERANCES	
CHANGED FROM						TOLERANCES	
SINGLE TONE ADDED						TOLERANCES	
SPECS REVISED COMPLETELY						TOLERANCES	
734 DIM. WAS .360						TOLERANCES	
FREQ. RANGE, POWER RATING, CASE NOTES, PARTS LIST, STOCK AND 2-30 M.C. PARTS LIST. THIS CHANGED & Diode Requisitioned						TOLERANCES	
NOTE ADDED						TOLERANCES	
MATERIAL						TOLERANCES	
HEAT TREAT. SPEC.						TOLERANCES	
TYPE & TEMPER						TOLERANCES	
FINISH & SPEC. NO.						TOLERANCES	
DRAWN						TOLERANCES	
CHECKED						TOLERANCES	
FINAL APPROVAL						TOLERANCES	
ELEC. DES. APP.						TOLERANCES	
MECH. DES. APP.						TOLERANCES	

THE TECHNICAL MATERIEL CORP.
 MAMARONECK, NEW YORK
 DETECTING ELEMENT,
 DIRECTIONAL COUPLER

THE CONTENTS OF THIS DRAWING ARE THE EXCLUSIVE PROPERTY OF THE TECHNICAL MATERIEL CORP. ITS UNAUTHORIZED USE OR REPRODUCTION IN WHOLE OR IN PART IS STRICTLY FORBIDDEN.

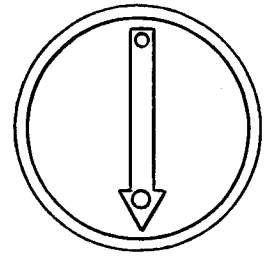
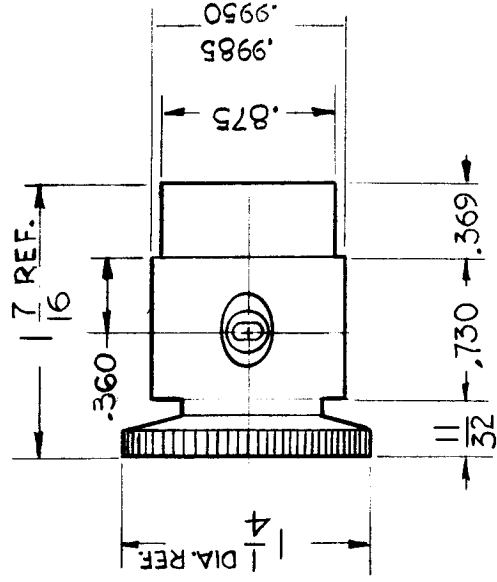
REQ. PER UNIT: 1
 MODEL: KIT-113
 ASSY. NO.: A-2233
 USED ON: DATE: 12-5-61

DD-104 C

SPECS

FREQ RANGE: 2-30 MHZ
 POWER RATING: 10KW AV
 COUPLER LINE SIZE: 1 5/8"
 LINE IMPEDANCE: 50 OHMS
 METER USED FOR CALIBRATION:
 SENSITIVITY: 100µA FS @
 RATED POWER
 RESISTANCE: 1825 OHMS
 CALIBRATION DATA WITH LINE
 POWER OF 4KW CW @ 10MHZ
 ELEMENT DELIVERS: 60.5µA
 INTO RESISTANCE OF: 1825 OHMS
 SINGLE TONE
 NOTE ~

THIS DIODE IS USED FOR SPARE PARTS ONLY, IT IS NORMALLY SUPPLIED WITH COUPLER, TMC DC102



REQ. ITEM	PART NO.	DESCRIPTION	SYMBOL
		THE TECHNICAL MATERIEL CORP. MAMARONECK, NEW YORK	
		DETECTING ELEMENT	
		DIRECTIONAL COUPLER	
		wh	SPM
		DRAWN	FINAL APPROVAL
		checked	
		923	DD-104 C
		ELEC. DES. APP. MECH. DES. APP.	
		FINISH & SPEC. NO.	
		SCALE: S401-164	
		MAXIMUM ALLOWABLE TOLERANCES HAVE BEEN DETERMINED AND ANY DEVIATIONS WILL BE CAUSE FOR REJECTION. REMOVE ALL BURRS AND SHARP EDGES	
		UNLESS OTHERWISE SPECIFIED: DIMENSIONS ARE IN INCHES TOLERANCES ON FRAC. ± 1/64 DEC. ± .005 ANGLES ± 1/20	
		DATE: 10/3/63	
		CH. NO. 10134	
		DRAFTS CHECKER	
		ENG. APP.	
		DATE: 12-12-61	
		18668	
		17442	
		10134	
		DESCRIPTION	
		'SINGLE TONE' ADDED	
		ELEC SPECS REVISED COMPLETELY	
		12-12-61	
		18668	
		17442	
		10134	
		DATE	
		CH. NO.	
		DRAFTS	
		CHECKER	
		ENG. APP.	
		SCALE: S401-164	
		MAXIMUM ALLOWABLE TOLERANCES HAVE BEEN DETERMINED AND ANY DEVIATIONS WILL BE CAUSE FOR REJECTION. REMOVE ALL BURRS AND SHARP EDGES	
		UNLESS OTHERWISE SPECIFIED: DIMENSIONS ARE IN INCHES TOLERANCES ON FRAC. ± 1/64 DEC. ± .005 ANGLES ± 1/20	

THE CONTENTS OF THIS DRAWING ARE THE EXCLUSIVE PROPERTY OF THE TECHNICAL MATERIEL CORP. ITS UNAUTHORIZED USE OR REPRODUCTION IN WHOLE OR IN PART IS STRICTLY FORBIDDEN.

REQ. PER UNIT: 2
 MODEL: GPT-200K
 USED ON: AX-397
 ASSY. NO.
 DATE: 6-8-62

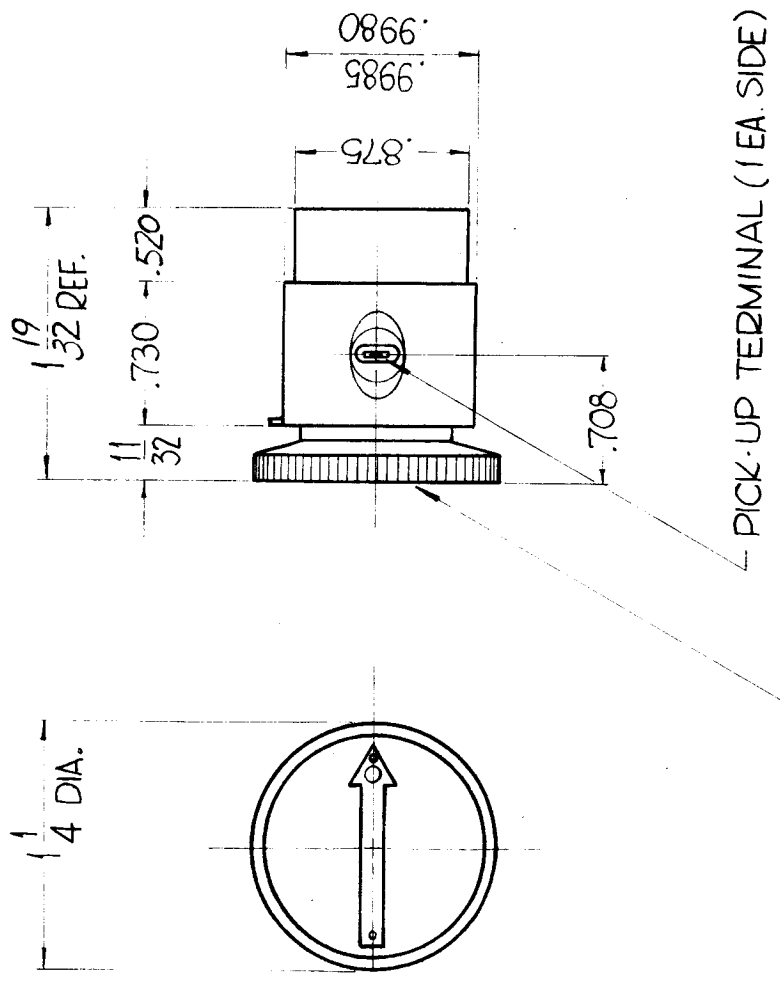
DD-106 C

ELECTRICAL SPECIFICATIONS —

FREQ RANGE: 2 - 30MHZ
 POWER RATING: 200KW AW, TWO TONE
 COUPLER LINE SIZE: $6\frac{1}{8}$ "
 LINE IMPEDANCE: 50 OHMS
 METER USED FOR CALIBRATION:
 SENSITIVITY: 100µA FS @ RATED POWER

RESISTANCE: 1825 OHMS
 CALIBRATION DATA WITH LINE
 POWER OF 100KW CW @ 10MHZ
 ELEMENT DELIVERS: 75.7µA
 INTO RESISTANCE OF: 1825 OHMS
 TWO TONE
 CASE: GOLD PLATED

NOTE - THIS DIODE IS USED FOR
 SPARE PARTS ONLY, IT IS
 NORMALLY SUPPLIED WITH
 THRU LINE, DIRECTIONAL
 WATT METER - 6-1/8" TMC NO.
 DC-103.



SYM	DESCRIPTION	DATE	CH. NO.	DRAFTS	CHECKER	ENG. APP.	MATERIAL	STOCK SIZE	PART NO.	DESCRIPTION	SYMBOL
C	CHG DIM FR 17/16 TO 1 1/32	12/7/60	20147	GE	CO	REA				THE TECHNICAL MATERIEL CORP. MAMARONECK, NEW YORK	
B	"TWO TONE" ADDED	12-12-67	18668	HG	FB						
A	ELEC SPECS REVISED COMPLETELY	12-12-66	17442	W40						DETECTING ELEMENT, DIRECTIONAL COUPLER	
O	ORIGINAL RELEASE FOR PRODUCTION	5/27/64	0	A.M.							
UNLESS OTHERWISE SPECIFIED: DIMENSIONS ARE IN INCHES TOLERANCES ON FRAC. ± 1/64 DEC. ± .005 ANGLES ± 1/2°							SCALE: S401-164(490)		TYPE & TEMPER		FINISH & SPEC. NO.
MAXIMUM ALLOWABLE TOLERANCES HAVE BEEN DETERMINED AND ANY DEVIATIONS WILL BE CAUSE FOR REJECTION. REMOVE ALL BURRS AND SHARP EDGES							HEAT TREAT. SPEC.		DRAWN		FINAL APPROVAL
									John C. Biale		DD-106 C
									DWS		ELEC. DES. APP.
											MECH. DES. APP.

THE CONTENTS OF THIS DRAWING ARE THE EXCLUSIVE PROPERTY OF THE TECHNICAL MATERIEL CORP. ITS UNAUTHORIZED USE FOR REPRODUCTION IN WHOLE OR IN PART IS STRICTLY FORBIDDEN.

REQ. PER UNIT

1

USED ON

ASSY. NO.

AZ-101

MODEL

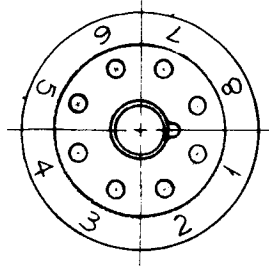
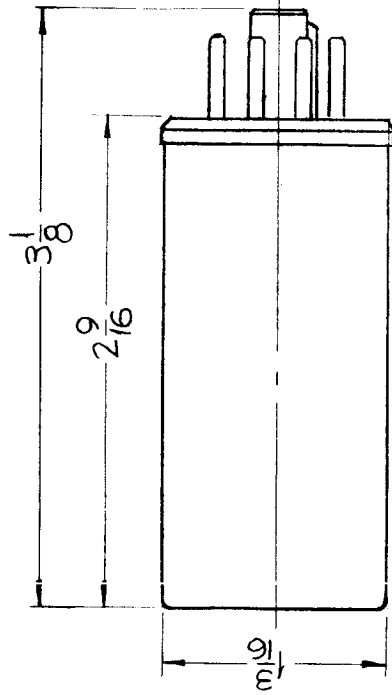
GPT-200K

DATE

4-16-63

DD-107

0

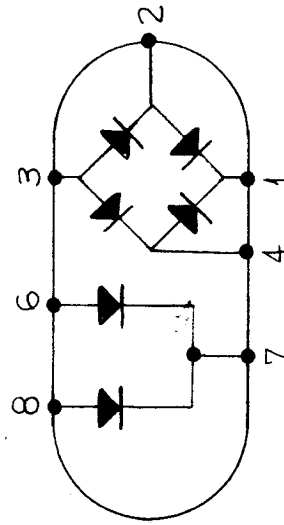


SECIFICATIONS:

FULL WAVE BRIDGE -
100VPEAK INVERSE VOLTS PER LEG
2.2 AMP D.C.

FULL WAVE CENTER TAP -
1600VPEAK INVERSE VOLTS PER LEG,
500 MA D.C.

REF: SOLITRON DEVICES TMC 1



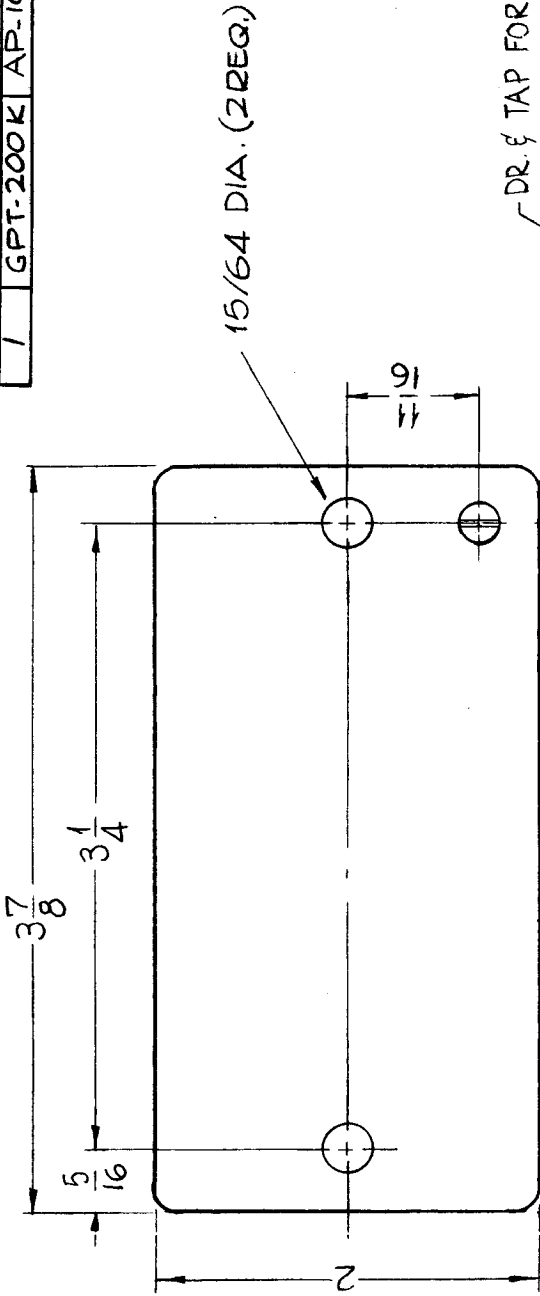
SCHEMATIC

REQ. ITEM	PART NO.	DESCRIPTION	SYMBOL
		THE TECHNICAL MATERIEL CORP. MAMARONECK, NEW YORK	
		RECTIFIER, SEMICONDUCTOR	
		FULL WAVE BRIDGE & FULL WAVE CENTER TAP	
		SRG	RR
		DRAWN	RR
		CHECKED	
		TYPE & TEMPER	
		HEAT TREAT. SPEC.	
		MATERIAL	
		FINISH & SPEC. NO.	
		DATE	
		CH. NO.	
		DRAFTS	
		CHECKER	
		ENG. APP.	
		SCALE	
		UNLESS OTHERWISE SPECIFIED DIMENSIONS ARE IN INCHES AND INCLUDE CHEMICALLY APPLIED OR PLATED FINISHES	
		FRACTIONS	
		TOLERANCES	
		DECIMALS	
		ANGLES	
		CODE	
		DATE	
		DESCRIPTION	
		3-2-64 - AM.	
		ORIGINAL RELEASE FOR PRODUCTION	
		DD-107	
		FINAL APPROVAL	
		ELEC. DES. APP.	
		MECH. DES. APP.	

REQ. PER UNIT /	USED ON	DD-110
	ASSY. NO.	0
MODEL	DATE	
GPT-200K AP-108	10-23-63	

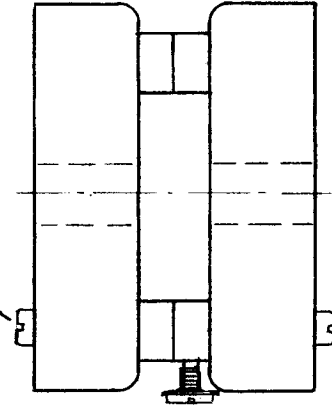
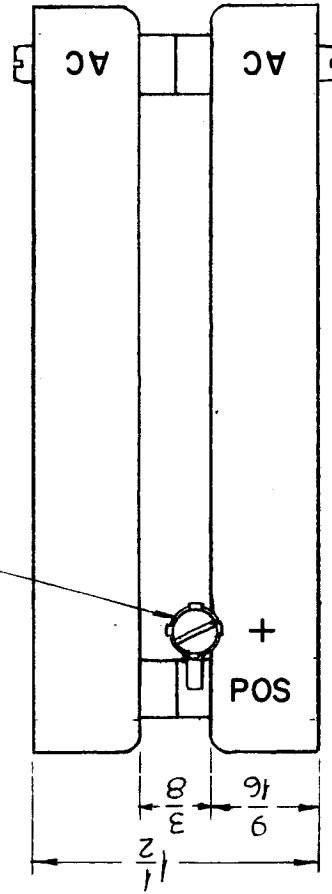
SPECIFICATIONS:
AMP ~ 1.6 DC
P.I.V. ~ 8 KV

REF: WESTINGHOUSE
PART NO. 509C915604



DR. & TAP FOR G-32
SCREW X 1/4" DEEP.
(2 REQ)

TERMINAL SCREW



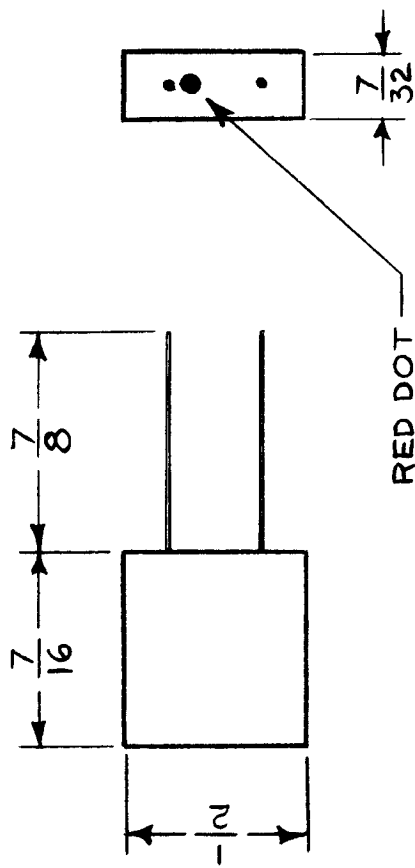
REQ. ITEM	PART NO.	F. BUDETTI	DESCRIPTION	SYMBOL
			THE TECHNICAL MATERIEL CORP. MAMARONECK. NEW YORK	
			RECTIFIER, SEMI-CONDUCTOR DEVICE (FULL WAVE CENTER TAP)	
			<i>SRG</i>	<i>RC</i>
			DRAWN	CHECKED
			<i>DRB</i>	<i>AA</i>
			ELEC. DES. APP.	MECH. DES. APP.
			FINISH & SPEC. NO.	DD-110
				0

STANDARD DRAWING

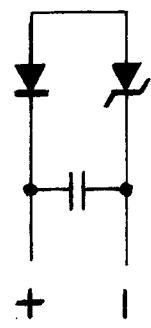
USED ON	DD-111	A
MODEL	DATE	
HFSR-1	2-12-64	

TMC P/N	MFG P/N	OPERATING VOLTAGE	MAX. REVERSE VOLTAGE	COLOR
DD-111 -1	122656-001	28 V NOM. 33 V MAX.	10 VDC	GREEN

SPECIFICATION :
 DIODE - 750 MA, 200 P.I.V.
 ZENER DIODE - 6.8 V, 1 WATT
 CAPACITOR - 1 MFD, 35 WVDC
 TANTALUM



RED DOT INDICATES POSITIVE POLARITY



SCHEMATIC

NOTE

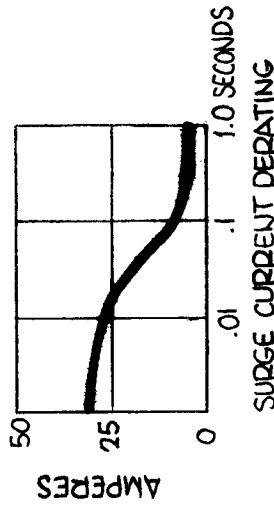
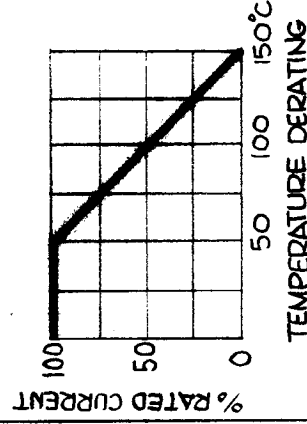
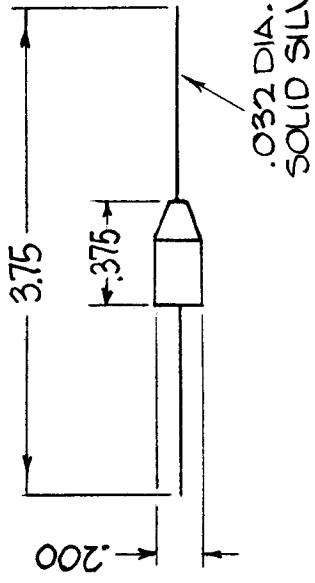
SUPPRESSOR MUST BE CONNECTED IN PARRALEL WITH INDUCTIVE LOAD

REQ. ITEM	PART NO.	DESCRIPTION	SYMBOL
	#	THE TECHNICAL MATERIEL CORP. MAMARONECK. NEW YORK	
	STOCK SIZE		
	EPOXY	SUPPRESSOR, ARC, DIODE	
	MATERIAL	HIGH SPEED	
	#	DRWN <i>MR. PETER</i> @ 4-3-64	
	TYPE & TEMPER	CHECKED	FINAL APPROVAL
	HEAT TREAT. SPEC.	<i>JE 4/3/64</i>	DD-111
	FINISH & SPEC. NO.	ELEC. DES. APP. MECH. DES. APP.	A

DESCRIPTION	DATE	CH. NO.	DRAFTS	CHECKER	ENG. APP.
UNLESS OTHERWISE SPECIFIED DIMENSIONS ARE IN INCHES AND INCLUDE CHEMICALLY APPLIED OR PLATED FINISHES	5.9.66	16224	WHD	<i>JP</i>	<i>JC</i>
DECIMALS	0				
FRACTIONS					
TOLERANCES					
± 1/16					
± 0° 30'					
CODE					
C					
5-401-281					

STANDARD DRAWING

REQ. PER UNIT	4	MODEL	GPT-10KLF	DATE	11-16-65
USED ON	DD112				
ASSY. NO.	11-16-65				



AVERAGE RATINGS AT 25°C		SPECS. @ 100°C	
MIN BREAKDOWN VOLTAGE	PIV VOLTS	DC REVERSE CURRENT	MAX. FWD VOLTAGE DROP
4500	3600	µA	VOLTS
AVG FORWARD CURRENT	RECURRENT PEAK CURRENT	DC REVERSE CURRENT	DYN REVERSE CURRENT
250 MA	6 AMPS	µA	MA
MFG. PART NO.	HV-36C	MAX. FWD VOLTAGE DROP	5.0
TMC PART NO.	DD112-1	RECURRENT PEAK CURRENT	0.1

OPER. TEMP. -65°C to + 150°C STORAGE TEMP. -65°C to + 165°C

REQ. ITEM	PART NO.	F. BUDETTI	DESCRIPTION	SYMBOL
			THE TECHNICAL MATERIEL CORP. MAMARONECK, NEW YORK	DD112
	STOCK SIZE		DIODE, SILICON	
	MATERIAL		H.V. RECTIFIER	
	TYPE & TEMPER	HEAT TREAT. SPEC.	CHECKED	FINAL APPROVAL
	FINISH & SPEC. NO.			

UNLESS OTHERWISE SPECIFIED DIMENSIONS ARE IN INCHES AND INCLUDE CHEMICALLY APPLIED OR PLATED FINISHES

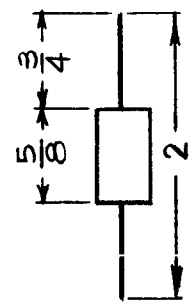
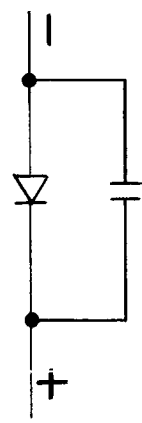
DECIMALS: .X ± .05, .XX ± .01, .XXX ± .005

FRACTIONS: ± 1/64, ANGLES: ± 0° 30'

DATE: 12/6/64
SCALE: 1:1
CODE: C
5401-178

DD114	DD114	USED ON	DATE	
DD114	DD114	ABBY. NO.	6-15-65	
MODEL	TSTE-10K			
REQ. PER UNIT	MAX. REV. VOLT		COLOR	
	LESS THAN 1VDC	GREEN		
	LESS THAN 1VDC	BLACK		
MFG. P/N	OPER. VOLT			
122654-001	33VDC MAX.			
122655-001	80 TO 200VDC MAX.			
STANDARD DRAWING				

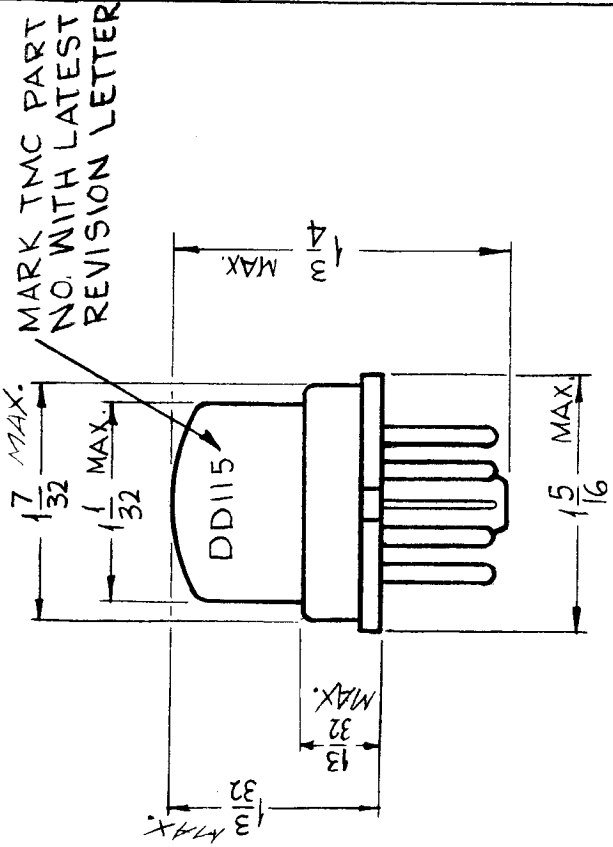
STANDARD DRAWING



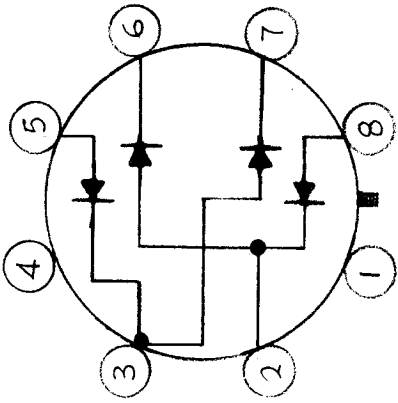
NOTE:
CONNECT IN PARALLEL WITH
INDUCTIVE LOAD. OBSERVE
POLARITY.

RED DOT INDICATES
POSITIVE POLARITY

REQ. ITEM	PART NO.	DESCRIPTION		SYMBOL		
		BUDETTI		Ø		
	STOCK SIZE	THE TECHNICAL MATERIEL CORP. MAMARONECK. NEW YORK				
	MATERIAL	SUPPRESSOR, ARC, DIODE				
TYPE & TEMPER	HEAT TREAT. SPEC.	DRAWN	CHECKED			
		ALA	ALA	6-17-65		
	FINISH & SPEC. NO.	ELEC. DES. APP. MECH. DES. APP.		DD114		
		ELEC. DES. APP. 6-16-65		Ø		
SYM	DESCRIPTION	DATE	CH. NO.	DRAFTS	CHECKER	ENG. APP.
Ø	ORIGINAL RELEASE FOR PRODUCTION	5-25-65	AA	ALA		
UNLESS OTHERWISE SPECIFIED DIMENSIONS ARE IN INCHES AND INCLUDE CHEMICALLY APPLIED OR PLATED FINISHES		SCALE				
DECIMALS	FRACTIONS					
X ± .05	± 1/64					
.XX ± .01	ANGLES					
.XXX ± .005	± 0° 30'					
TOLERANCES		CODE	S401-281			



DIMENSIONS FOR REF. ONLY



REQ. PER UNIT	MODEL	DATE
	ASBY. NO.	
	SBE-2	6-17-64
	SBE-3	6-17-64

DD115 A

MECHANICAL DATA
 ENVELOPE ~ MT-8 METAL SHELL
 BASE ~ SMALL WAFER OCTAL 8PIN
 TERMINAL CONNECTIONS ~ SEE DIAGRAM

ABSOLUTE MAXIMUM RATINGS AT 25°C EACH DIODE
 INVERSE VOLTAGE ~ 80 VOLTS
 AVERAGE RECTIFIED CURRENT ~ 100 MA
 PEAK RECTIFIED CURRENT ~ 270 MA
 SURGE CURRENT (1 SEC.) ~ 500 MA
 AMBIENT TEMPERATURE RANGE ~ 60 TO +100°C
 LEAKAGE CURRENT (AT -10V) ~ 10 UA

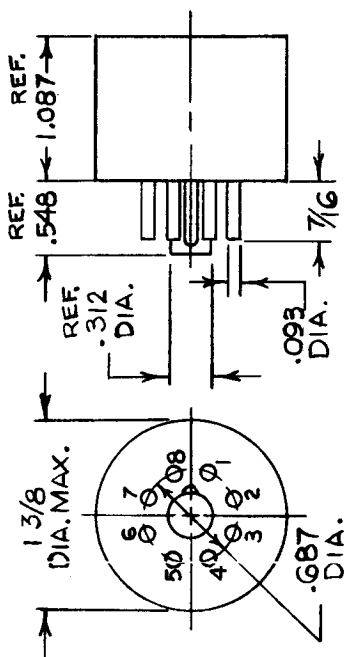
AT 4.0 MA FORWARD CURRENT, ALL FOUR DIODES
 HAVE BEEN MATCHED TO WITHIN 10 MV.

REQ. ITEM	PART NO.	DEWEY / CAMARDA	DESCRIPTION	SYMBOL
			THE TECHNICAL MATERIEL CORP. MAMARONECK. NEW YORK	
			DIODE, GERMANIUM, MATCHED	
		SRG		
		DRWN		
		7/1/64		
		MECH. DES. APP.		
		FINISH & SPEC. NO.		
				DD115 A

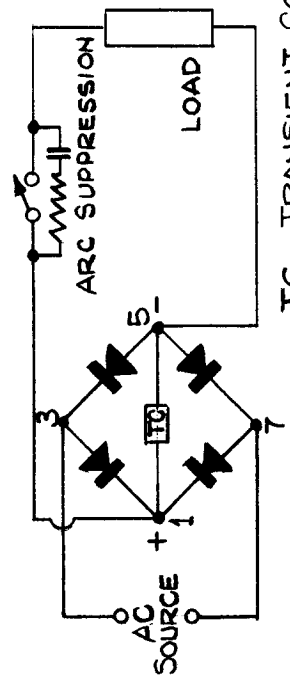
ADD DES. VENDOR CODE	6-2069/19491	GE	OP	
ADD MAX. TO ALL DIM ORIGINAL RELEASE FOR PRODUCTION	7-1-64	Ø	A.M.	
EXPER. RELEASE	7-1-64	X	A.M.	
DATE			CHECKER	ENG. APP.
CH. NO.			DRAFTS	
SCALE NONE				
UNLESS OTHERWISE SPECIFIED DIMENSIONS ARE IN INCHES AND INCLUDE CHEMICALLY APPLIED OR PLATED FINISHES				
FRACTIONS	5401-99 (CK 711A)			
DECIMALS	5401-178 (6918)			
X ± .05				
.XX ± .01				
.XXX ± .005				
TOLERANCES	C			
ANGLES	± 0° 30'			

STANDARD DRAWING

REQ. PER UNIT	MODEL	USED ON	DATE
	TSTE-10K	ASSY. NO.	6-17-65
			DD122
			A



SCHEMATIC OF BRIDGE TO APPEAR ON UNIT



TYPICAL CIRCUIT TC - TRANSIENT CONTROL (BUILT IN)

RATINGS FOR 60 THRU 400 CPS *

	INPUT VRMS	OUTPUT VDC	SURGE AMPS.
PIV			
NOMINAL	115	100V	-
AUTOMATIC PROTECTION			
MAXIMUM	130	116	25A 8MS

* SINUSOIDAL INPUT, RESISTIVE OR INDUCTIVE LOADS

CURRENT RATING BY DUTY CYCLE † (20°C)

DUTY CYCLE	CON-TINUOUS	1/2	1/4	1/10
MAX. CURRENT RATING (AMPS)	1.8	2.4	3.6	7.2
MAX. PULSE LENGTH (SEC.)	CON-TINUOUS	115	100	43
				20

† DUTY CYCLE = $\frac{\text{PULSE LENGTH}}{\text{PULSE LENGTH} + \text{"OFF" TIME}}$

REQ. ITEM	PART NO.	DESCRIPTION	SYMBOL
-		THE TECHNICAL MATERIEL CORP. MAMARONECK. NEW YORK	
-		RECTIFIER	
-		SILICON BRIDGE	
-		H. AUSTIN	
-		DRAWN	FINAL APPROVAL
-		HEAT TREAT. SPEC.	6-18-65
-		FINISH & SPEC. NO.	DD122
-		ELEC. DES. APP.	MECH. DES. APP.

SYM	DESCRIPTION	DATE	CH. NO.	DRAFTS	CHECKER	ENG. APP.
A	ADDED 'REF' TO .312, .548 & 1.087 DIM. REV. STAMP NOTES ADDED TO CMT TO SCH. ORIGINAL RELEASE FOR PRODUCTION.	7-7-66	16505	ALA	ALA	ALA
Ø		6-17-65				
UNLESS OTHERWISE SPECIFIED DIMENSIONS ARE IN INCHES AND INCLUDE CHEMICALLY APPLIED OR PLATED FINISHES						
SCALE						
TOLERANCES						
FRACTIONS ± 1/64 ANGLES ± 0° 30'						
DECIMALS .X ± .05 .XX ± .01 .XXX ± .005						
CODE C						
5401-281 (A46502-003)						

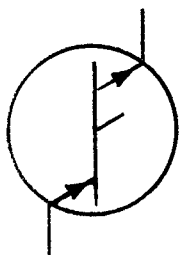
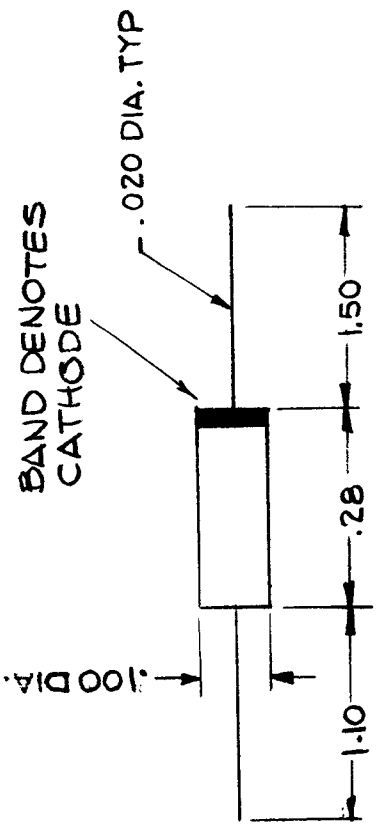
STANDARD DRAWING

REQ. PER UNIT	USED ON	DD123	A
1	MODEL	RTMU-1	
	ASSY. NO.	A3639	
	DATE	6-15-65	

TMC PART NUMBER	DD123-1	DD123-2
SWITCHING VOLTAGE ~VBO	50 ± 4V	200 ± 20V
PEAK REVERSE VOLT.	30V	120V
HOLDING CURRENT ~Ih	14-15MA	14-45MA
TEMPERATURE RANGE	-40 TO +70° C	+70° C
SWITCHING CURRENT ~Is	< 250µA @ -40 TO +70° C	< 125µA @ +25° C
MANUFACTURER & REF.	4E50-28	4E200-28

GENERAL SPECIFICATIONS @25°C

PEAK SURGE CURRENT 10A
 MAXIMUM DISSIPATION 150 MW
 DERATE ABOVE 50°C -1.5 MW/°C
 HOLDING VOLTAGE (Vh) 0.25 TO 1.2V
 TURN ON TIME (TON) 0.03 TO 0.2µSEC
 TURN OFF TIME (TOFF) 1 TO 5µ SEC
 LEAKAGE CURRENT @75V < 15µA
 DYNAMIC RESISTANCE < 2Ω @ 70 MA
 < 0.3Ω @ 5A



SCHEMATIC

NOTE: DIMENSIONS ARE FOR REF. ONLY

REQ. ITEM	PART NO.	EATON	DESCRIPTION	SYMBOL
			THE TECHNICAL MATERIEL CORP. MAMARONECK. NEW YORK	
			DIODE, 4 LAYER	
			SHOCKLEY	
			G.D.L. <i>JCS</i>	
			DRAWN	CHECKED
			HEAT TREAT. SPEC.	FINAL APPROVAL
			FINISH & SPEC. NO.	DD123
				A

SYMBOL	DESCRIPTION	DATE	CH. NO.	DRAFTS	CHECKER	ENG. APP.
A	DD123-1, DD123-2 SPEC. REVISED, 3401-279 DELETED FOR PRODUCTION	3-8-66	15854	WJO	JCS	JCS
Ø	ORIGINAL RELEASE	6-17-65	70	JCS	JCS	JCS

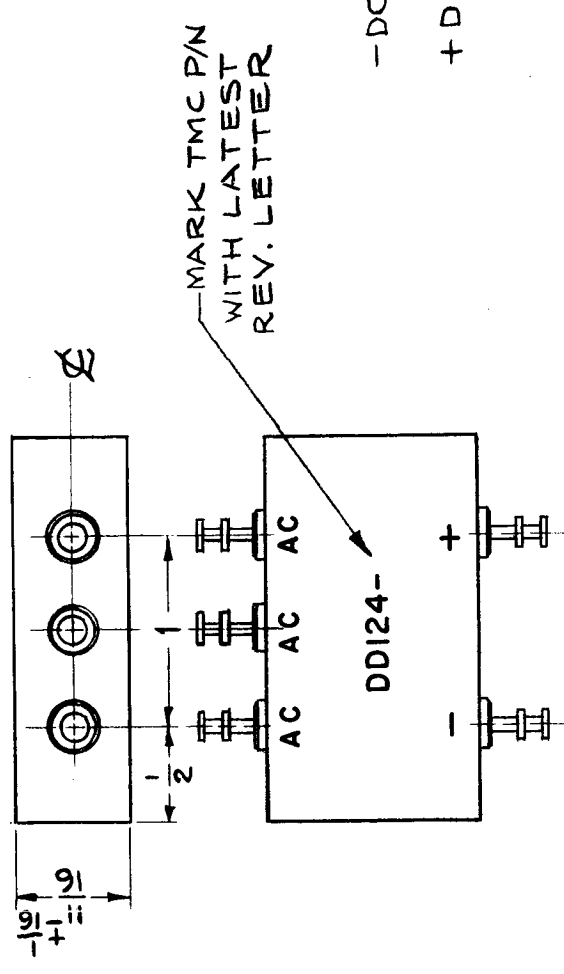
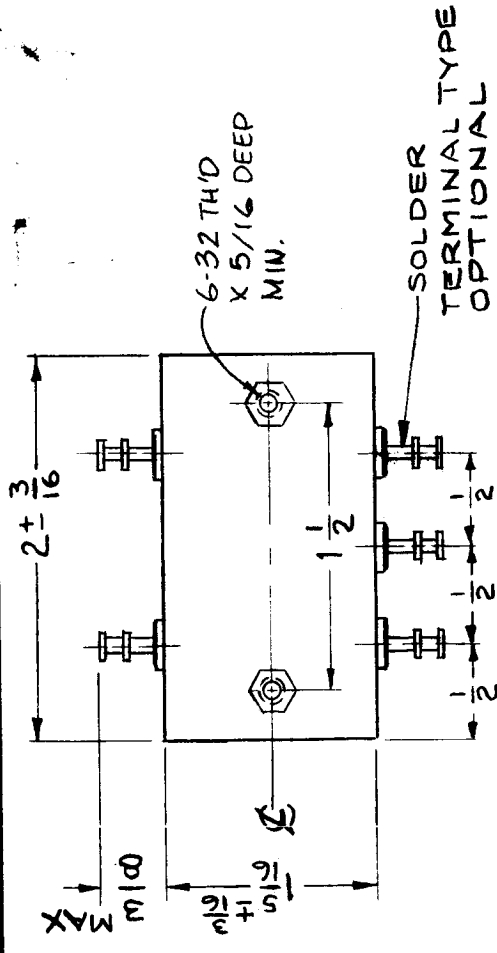
UNLESS OTHERWISE SPECIFIED DIMENSIONS ARE IN INCHES AND INCLUDE CHEMICALLY APPLIED OR PLATED FINISHES	SCALE	DO NOT SCALE
TOLERANCES	DECIMALS	FRACTIONS
.X ± .05	± 1/64	± 1/32
.XX ± .01	ANGLES	± 0° 30'
.XXX ± .005		

DD124 A

REQ. PER UNIT	1
MODEL	AP126
ASSY. NO.	3.26.65
DATE	3.26.65

STANDARD DRAWING

ELECTRICAL SPECIFICATIONS
 AVERAGE CURRENT: 1.5A @ 75°C
 NON-RECURRENCE SURGE: 10A @ 75°C
 PEAK REVERSE VOLTAGE: 2KV



SCHEMATIC

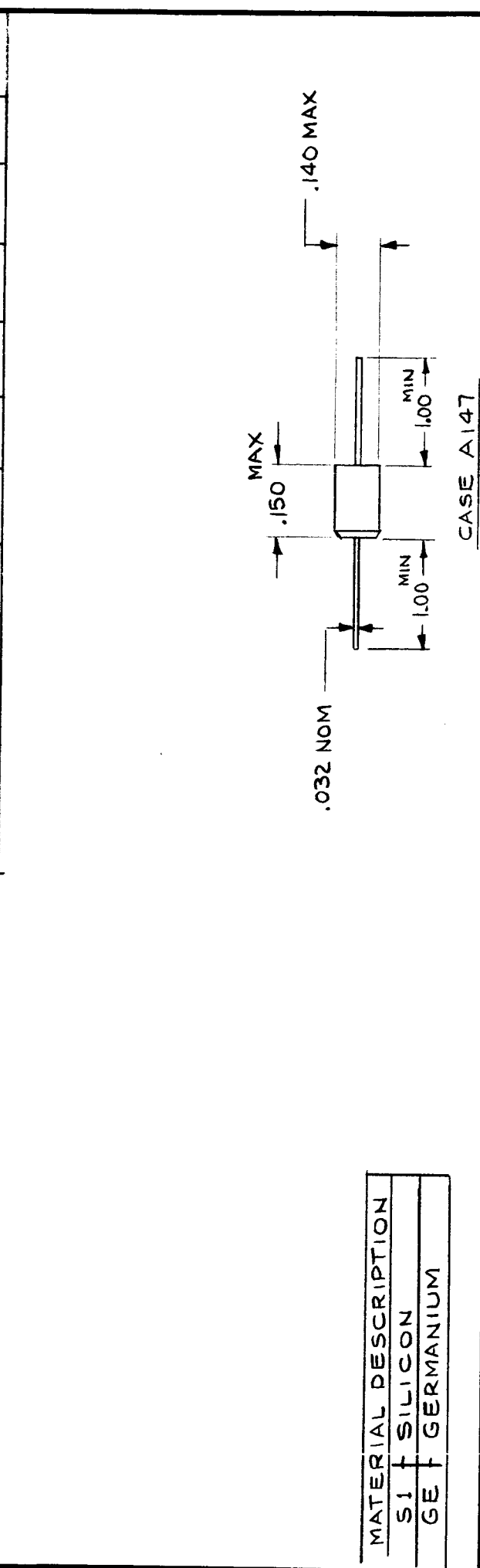
REQ. ITEM	PART NO.	F. BUDETTI	DESCRIPTION	SYMBOL
			THE TECHNICAL MATERIEL CORP. MAMARONECK, NEW YORK	
			RECTIFIER, SCOND DEV. (3 PHASE)	
		ARB	CHECKED	APPROVAL
			DRAWN	DD124 A
			ELEC. DES. APP.	
			MECH. DES. APP.	
			FINISH & SPEC. NO.	
			TYPE & TEMPER HEAT TREAT. SPEC.	
			MATERIAL	
			STOCK SIZE	
			DATE	
			C.H. NO.	
			DRAFTS	
			CHECKER	
			ENG. APP.	
			SCALE	
			CODE	
			FRACTIONS	
			DECIMALS	
			TOLERANCES	
			ANGLES	
			UNLESS OTHERWISE SPECIFIED	
			DIMENSIONS ARE IN INCHES AND INCLUDE	
			CHEMICALLY APPLIED OR PLATED FINISHES	
			OUTPUT 800VDC O.E.L.E.T.O. S401-98	
			WAS S401-303, 6-22 X 5/16 DP ADDED	
			DESCRIPTION	
			ADDED S401-402	
			ORIGINAL RELEASE FOR PRODUCTION	
			DATE	
			9/3/68	
			C.C.	
			4/8/65	
			4-8-65	
			HLA	
			SLG	
			ARB	
			1/19	
			RFH	

STANDARD DRAWING

USED ON DD126

REQ. PER UNIT: AP126 A 4-231 5.1.1965

TMC P/N	MFG	TYPE NO.	PIV (V)	MAX. CONTIN. D.C. CURRENT RATINGS @ 25°C		MAX. TEMP. (°C)	MAX. REVERSE CURRENT (μA)	TEST VOLT. (VOLTS)	AVALANCHE REC. RATINGS		DESCRIPTION
				I _{DC} (AMP)	DISS. (W)				MAX. AVAL. BKN VOLTAGE (VOLTS)	MIN. AVAL. SLOPE Δ-TYP. (μA/V)	
DD126-1	S401-98	10D6	600	1.5	50	150	.05	600			S1 A147
DD126-2	S401-98	10D2	200	1.5	50	150	.20	200			S1 A147



REQ. ITEM	PART NO.	DESCRIPTION	SYMBOL
		BUDETTI	
		THE TECHNICAL MATERIEL CORP. MAMARONECK. NEW YORK	
		SEMICONDUCTOR DEVICE, DIODE	

TYPE & TEMPER	HEAT TREAT. SPEC.	DRAWN	CHECKED	FINAL APPROVAL
		hbs	hbs	hbs

DATE	CH. NO.	DRAFTS	CHECKER	ENG. APP.
5.4.65	0	02.		

SCALE	CODE
NONE	C

DESCRIPTION	DATE	CH. NO.	DRAFTS	CHECKER	ENG. APP.
ORIGINAL RELEASE FOR PRODUCTION	5.4.65	0	02.		

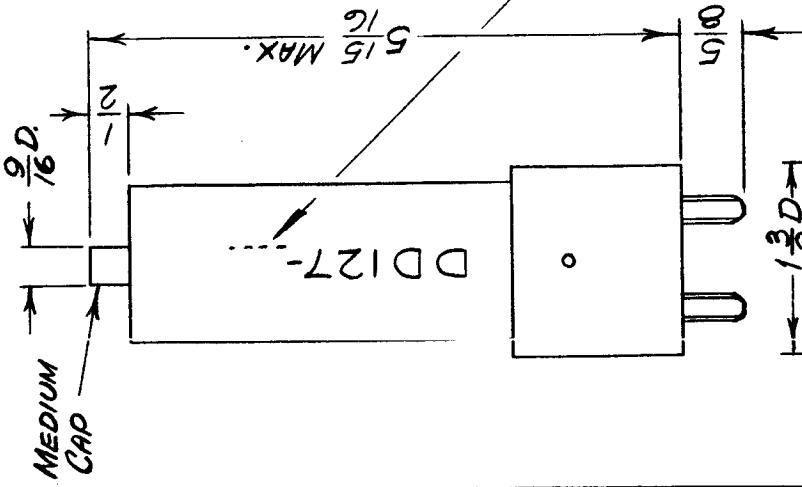
UNLESS OTHERWISE SPECIFIED DIMENSIONS ARE IN INCHES AND INCLUDE CHEMICALLY APPLIED OR PLATED FINISHES
TOLERANCES: .XX ± .01, .XXX ± .005, FRACTIONS: ± 1/64 ANGLES, ± 0° 30'

FINISH & SPEC. NO.	ELEC. DES. APP.	MECH. DES. APP.

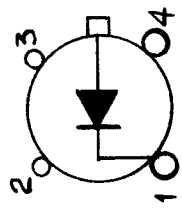
MATERIAL DESCRIPTION
 S1 SILICON
 GE GERMANIUM

STANDARD DRAWING

REQ. PER UNIT	USED ON	DD127	B
2	MODEL	PSP-350	
	ASSY. NO.		
	DATE	6-15-65	



SCHEMATIC



NOTE:

STAMP TMC PART NUMBER AS SHOWN IN 1/8 HIGH WHITE GOTHIC WITH LATEST REVISION LETTER.

4 PIN BAYONET BASE

SPECIFICATIONS

PEAK REVERSE VOLTS : 10,400 V
 MAX. REVERSE CURRENT AT PRV(25°C): 10µA
 (100°C): 100µA
 RATED DC OUTPUT CURRENT (25°C): 750 MA
 (100°C): 500 MA
 MAX. FWD. VOLTAGE DROP(25°C): 16 V
 (100°C): 14 V
 RECURRENT PEAK CURRENT : 6A
 SURGE CURRENT (8 MS) : 35 A
 OPERATING TEMP. RANGE : -55°C TO +125°C
 OPERATING MEDIUM : AIR OR XFMR OIL.

REQ. ITEM	PART NO.	DESCRIPTION	SYMBOL
		THE TECHNICAL MATERIEL CORP. MAMARONECK. NEW YORK	
		RECTIFIER, SEMICONDUCTOR	
		HALF WAVE	
		H. AUSTIN	MM 6/15/65
		DRAWN	FINAL APPROVAL
		7A09	DD127
		6-15-65	B
		ELEC. DES. APP.	
		MECH. DES. APP.	
		FINISH & SPEC. NO.	

STANDARD DRAWING

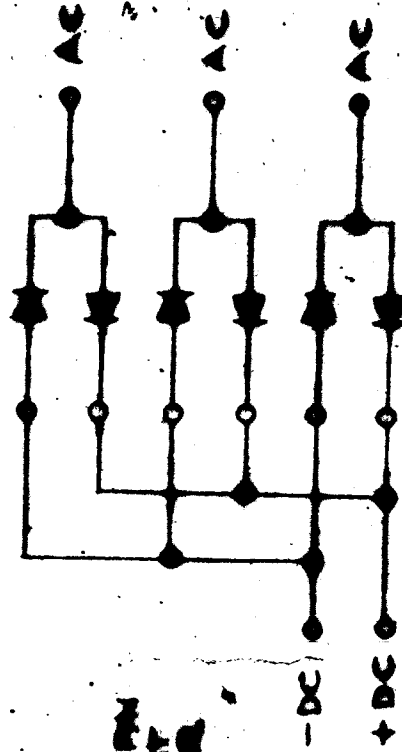
ALUMINUM RECTIFIERS
AVERAGE CURRENT: 11.5 A @ 75°C
NON-RECURRENT SURGE: 20 A @ 75°C
PEAK REVERSE VOLTAGE: 4 kV

6.00 THD
 5/8" x 1/4" DIA
 DIA

SOLDER
 TERMINAL TYPE
 SPT-T-100-100

MARK THE PIN
 WITH LATEST
 REV. LETTER

DD 129 -



REVERSE

A ADDED S401-402

4/3/68 C.C. R

Original Release

S401-98
 S401-329
 S401-103

APPLICATION			REVISIONS						
QTY	MODEL USED ON	ASS'Y NO.	LTR	DESCRIPTION	DATE	E.M.N.NO	DRAFT	CHKD	APPD
	GPR-90RXDS		Ø	ORIG RELEASE FOR PROD	4-6-67	Ø	CV		

PART NUMBER F8

ELECTRICAL DATA: PIV 800 VOLTS
MAX DC CURRENT 1.0A AT 55°C

REFERENCE: CATALOG #62CC4, PAGE 3

VENDOR MUST SUPPLY INFORMATION WITH THIS ITEM

INFORMATION TO CONTAIN SUFFICIENT DATA TO IDENTIFY THE PART AND ESTABLISH ITS ELECTRICAL AND MECHANICAL CHARACTERISTICS AS DESCRIBED IN HIS PUBLISHED CATALOGS FOR QUALITY ASSURANCE

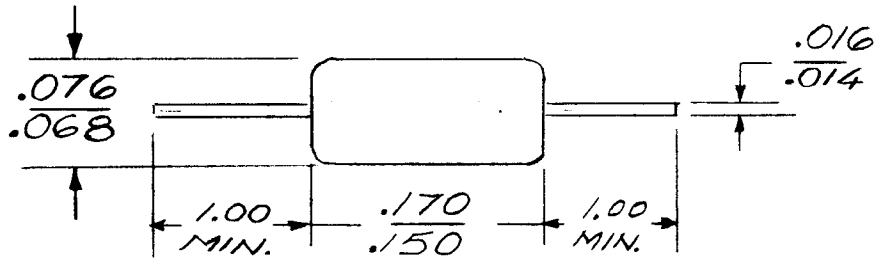
DIMENSION TOLERANCES WILL BE AS DESCRIBED IN MANUFACTURES LITERATURE

S401-100

UNLESS OTHERWISE SPECIFIED DIMENSIONS ARE IN INCHES AND INCLUDE CHEMICALLY APPLIED OR PLATED FINISHES		REQ'D	ITEM	PART NUMBER	DESCRIPTION	SYM.	
DECIMALS .X ± .05 .XX ± .01 .XXX ± .005	FRACTIONS 1/64 ANGLES 0°-30'	LIST OF MATERIAL					
MATERIAL	FINAL	MECH. DES.		DATE	THE TECHNICAL MATERIEL CORP. MAMARONECK, NEW YORK		
FINISH	ELECT. DES.	CHECKED		DATE			
	DRAWN			DATE			
				DATE			
NOTICE TO PERSONS RECEIVING THIS DRAWING THE TECHNICAL MATERIEL CORPORATION claims proprietary right in the material disclosed hereon. This drawing is issued in confidence for engineering information only and may not be reproduced or used to manufacture anything shown hereon without permission from THE TECHNICAL MATERIEL CORPORATION to the user. This drawing is loaned for mutual assistance and is subject to recall at any time.				SIZE A	CODE IDENT. NO. 82679	DWG NO. DD 136	ISSUE Ø
				SCALE	SHEET		OF

APPLICATION			REVISIONS							
QTY	MODEL USED ON	ASS'Y NO.	LTR	DESCRIPTION	DATE	E.M.N.NO	DRAFT	CMKD	APPD	
	MMX-(C)		X	EXPERIMENTAL RELEASE	8-3-67		C.V.	<i>[Signature]</i>	<i>[Signature]</i>	
			Ø	ORIG. RELEASE FOR PRODUCTION	8-11-67	Ø	C.V.	<i>[Signature]</i>	<i>[Signature]</i>	
			A	REV. & UPDATED		18850	H.S.	<i>[Signature]</i>	OP <i>[Signature]</i>	
			B	PICTORIAL ADD.	3.18.69	19353	GE	<i>[Signature]</i>	<i>[Signature]</i>	

	TEST COND.	SPECIFICATIONS
PACKAGE STYLE		15
FORWARD VOLTAGE V_{F1}	10mA	1.0V
FORWARD VOLTAGE V_{F2}	$I_F = 1mA$	0.4V
BREAKDOWN VOLTAGE BV_R	$I_R = 10\mu A$	10 V
LEAKAGE CURRENT I_R	15V	100nA
CAPACITANCE C_Q	$V_R = 0V$ $f = 1 MHz$	1.5pf
MINORITY CARRIER LIFETIME ²	120ps	



UNLESS OTHERWISE SPECIFIED DIMENSIONS ARE IN INCHES AND INCLUDE CHEMICALLY APPLIED OR PLATED FINISHES		REQ'D	ITEM	PART NUMBER	DESCRIPTION	SYM.
DECIMALS: .X ± .05, .XX ± .01, .XXX ± .005 FRACTIONS: 1/64, ANGLES: 0°-30'		LIST OF MATERIAL				
MATERIAL	FINAL APPROVAL	DATE	THE TECHNICAL MATERIEL CORP.			
FINISH	MECH. DES.	DATE	MAMARONECK, NEW YORK			
S401-455 (HPA2900)	ELECT. DES.	DATE	DIODE, SWITCH			
S401-178 (MS 114)	CHECKED	DATE				
	DRAWN	DATE				
NOTICE TO PERSONS RECEIVING THIS DRAWING THE TECHNICAL MATERIEL CORPORATION claims proprietary right in the material disclosed hereon. This drawing is issued in confidence for engineering information only and may not be reproduced or used to manufacture anything shown hereon without permission from THE TECHNICAL MATERIEL CORPORATION to the user. This drawing is loaned for mutual assistance and is subject to recall at any time.		SIZE	CODE IDENT. NO.	DWG NO.	ISSUE	
		A	82679	DD 137	B	
		SCALE	SHEET		OF	

APPLICATION			REVISIONS						
QTY	MODEL USED ON	ASS'Y NO.	LTR	DESCRIPTION	DATE	E.M.N.NO	DRAFT	CHKD	APPD
	MMX-()		X	EXPERIMENTAL RELEASE	8-2-67		C.V.	<i>[Signature]</i>	<i>[Signature]</i>
			Ø	ORIG. RELEASE FOR PRODUCTION	8-11-67	Ø	C.V.	<i>[Signature]</i>	<i>[Signature]</i>
			A	COMPLETELY REV.	4-15-68	18850	MS	<i>[Signature]</i>	OP <i>[Signature]</i>

	TEST CONDITIONS	SPECIFICATIONS
PACKAGE STYLE		I5
FORWARD VOLTAGE V_{F1}	10 mA	1.0 V
FORWARD VOLTAGE V_{F2}	$I_F = 1mA$	0.4 V
BREAKDOWN VOLTAGE BV_R	$I_R = 10 \mu A$	10V
LEAKAGE CURRENT I_R	15V	100 μA
CAPACITANCE C_0	$V_R = 0V$ $f = 1MHz$	1.5 pF
MINORITY CARRIER LIFETIME	120 ps	

NOTE: MATCHED PAIR OF SWITCHING DIODES.
 THESE DIODES ARE MATCHED DYNAMICALLY FROM 0-10 mA FORWARD CURRENT TO WITHIN 30 mV AT A FORWARD VOLTAGE OF .5 V

UNLESS OTHERWISE SPECIFIED DIMENSIONS ARE IN INCHES AND INCLUDE CHEMICALLY APPLIED OR PLATED FINISHES		REQ'D	ITEM	PART NUMBER	DESCRIPTION	SYM.
DECIMALS: .X ± .05, .XX ± .01, .XXX ± .005 FRACTIONS: 1/64, ANGLES: 0°-30'		LIST OF MATERIAL				
MATERIAL		FINAL APPROVAL	<i>[Signature]</i>	DATE	THE TECHNICAL MATERIEL CORP. MAMARONECK, NEW YORK DIODE, SWITCH, MATCHED PAIR	
FINISH		MECH. DES.	<i>[Signature]</i>	DATE		
S401-455 (84031)		ELECT. DES.	<i>[Signature]</i>	DATE		
S401-178 (MSP051030)		CHECKED	<i>[Signature]</i>	DATE		
		DRAWN	<i>[Signature]</i>	DATE		
NOTICE TO PERSONS RECEIVING THIS DRAWING THE TECHNICAL MATERIEL CORPORATION claims proprietary right in the material disclosed hereon. This drawing is issued in confidence for engineering information only and may not be reproduced or used to manufacture anything shown hereon without permission from THE TECHNICAL MATERIEL CORPORATION to the user. This drawing is loaned for mutual assistance and is subject to recall at any time.		SIZE	CODE IDENT. NO.		DWG NO.	ISSUE
		A	82679		DD 138	A
		SCALE			SHEET	OF

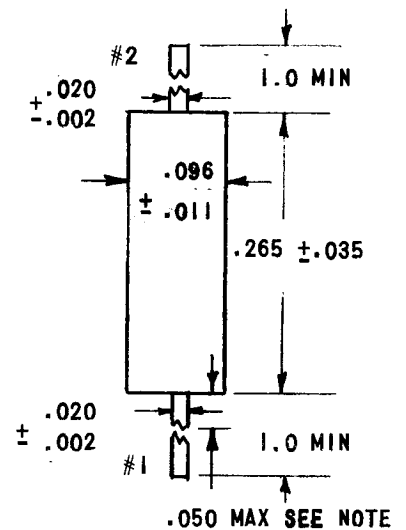
M/L Wilkes 8/28/67

APPLICATION			REVISIONS						
QTY	MODEL USED ON	ASS'Y NO.	LTR	DESCRIPTION	DATE	E.M.N.NO	DRAFT	CHKD	APPD
	MMX-()		X	EXPERIMENTAL RELEASE	8-2-67			C.V.	<i>JDe</i>
			Ø	ORIGINAL RELEASE	8/8/67	Ø		<i>JDe</i>	<i>JDe</i>
			A	COMPLETELY REV.	4/15/68	18850		<i>Hg.</i>	<i>OP</i>

NOTE: MATCHED PAIR OF GERMANIUM DIODES
 THESE DIODES ARE MATCHED DYNAMICALLY FROM 0-10 mA
 FORWARD CURRENT TO WITHIN 30MV AT A FORWARD VOLTAGE
 OF .5V.

ELECTRICAL CHARACTERISTICS @25°C UNLESS OTHERWISE INDICATED

TEST	CONDITIONS	SPECIFICATIONS
I _R	V _R = 6V	10 µA MAX
V _F	I _F = 10 mA	0.5 V MAX
B _V	I _R = 100 µA	15 V MIN
C ₀	V _R = 0V f = 1 MHz	0.8 pF



NOTE:
 WITHIN THIS ZONE, DIAMETER MAY
 VARY TO ALLOW FOR LEAD FINISHES
 AND IRREGULARITIES.

UNLESS OTHERWISE SPECIFIED DIMENSIONS ARE IN INCHES AND INCLUDE CHEMICALLY APPLIED OR PLATED FINISHES		REQ'D	ITEM	PART NUMBER	DESCRIPTION	SYM.
DECIMALS: .X ± .05, .XX ± .01, .XXX ± .005 FRACTIONS: 1/64, ANGLES: 0°-30° TOLS.		LIST OF MATERIAL				
MATERIAL	5401-455 5401-178(IN995)	FINAL APPROVAL	<i>JFM</i>	DATE	THE TECHNICAL MATERIEL CORP. MAMARONECK, NEW YORK DIODE GERMANIUM, MATCHED PAIR	
FINISH		MECH. DES.		DATE		
		ELECT. DES.		DATE		
		CHECKED	<i>JDe</i>	DATE		
		DRAWN	C.V.	DATE	8-8-67	
NOTICE TO PERSONS RECEIVING THIS DRAWING THE TECHNICAL MATERIEL CORPORATION claims proprietary right in the material disclosed hereon. This drawing is issued in confidence for engineering information only and may not be reproduced or used to manufacture anything shown hereon without permission from THE TECHNICAL MATERIEL CORPORATION to the user. This drawing is loaned for mutual assistance and is subject to recall at any time.				SIZE	CODE IDENT. NO.	DWG NO.
				A	82679	DD 139
				SCALE	SHEET OF	
					A	

APPLICATION			REVISIONS							
QTY	MODEL USED ON	ASS'Y NO.	LTR	DESCRIPTION	DATE	E.M.N.NO	DRAFT	CHKD	APPD	
2	LPA-2		X	EXPERIMENTAL RELEASE	9/15/67			C.V.	<i>MP</i>	<i>FB</i>
			Ø	ORIG. RELEASE FOR PROD.	9-18-67	Ø		R.G.		<i>FB</i>
			A	MFR'S P/N WAS ED9117	4-30-73	21229		CL	<i>a</i>	<i>va</i>

MFGR PART NO: ED5700
MFGR (TMC CODE #): S401-402

MAX RATINGS AND SPECIFICATIONS

PEAK REVERSE VOLTAGE: 8000 V
D.C. OUTPUT @50°C .750
PEAK ONE CYCLE SURGE (60 Hz) 15 A
FWD VOLT @500 mA DC & 25°C 12 VDC MAX
REV. CURRENT @8 KVDC & 25°C 5 uADC MAX
OPER. & STORAGE TEMP RANGE: -25°C TO +125°C

PURCHASING NOTE: VENDOR MUST INCLUDE THE FOLLOWING INFORMATION WHEN SHIPPING THIS ITEM TO TMC.

1. AN OUTLINE DRAWING OR ILLUSTRATION FROM CATALOG SHOWING ALL PERTINENT DIMENSIONS AND TOLERANCES.
2. ELECTRICAL AND/OR MECHANICAL SPECIFICATIONS AS SHOWN IN THEIR CATALOGS.

UNLESS OTHERWISE SPECIFIED DIMENSIONS ARE IN INCHES AND INCLUDE CHEMICALLY APPLIED OR PLATED FINISHES		REQ'D	ITEM	PART NUMBER	DESCRIPTION	SYM.	
DECIMALS FRACTIONS .X ± .05 1/64 .XX ± .01 TOLS. ANGLES .XXX ± .005 0°-30'		F. BUDETTI LIST OF MATERIAL					
MATERIAL		FINAL APPROVAL <i>[Signature]</i>		DATE 9/19/67	THE TECHNICAL MATERIEL CORP. MAMARONECK, NEW YORK		
FINISH		MECH. DES.		DATE	RECTIFIER, SILICON		
		ELECT. DES. <i>[Signature]</i>		DATE 9/18/67			
		CHECKED <i>[Signature]</i>		DATE			
		DRAWN <i>[Signature]</i>		DATE 9-15-67			
NOTICE TO PERSONS RECEIVING THIS DRAWING THE TECHNICAL MATERIEL CORPORATION claims proprietary right in the material disclosed hereon. This drawing is issued in confidence for engineering information only and may not be reproduced or used to manufacture anything shown hereon without permission from THE TECHNICAL MATERIEL CORPORATION to the user. This drawing is loaned for mutual assistance and is subject to recall at any time.				SIZE A	CODE IDENT. NO. 82679	DWG NO. DD 140	ISSUE A
				SCALE	M/L <i>[Signature]</i>	SHEET	OF

APPLICATION			REVISIONS						
QTY	MODEL USED ON	ASS'Y NO.	LTR	DESCRIPTION	DATE	E.M.N.NO	DRAFT	CHKD	APPD
1	BCT-10KA		X	EXPERIMENTAL RELEASE	11/28/67			C.V.	<i>[Signature]</i>
			Ø	ORIG. RELEASE FOR PROD	4/15/68			R.G.	<i>[Signature]</i>

MFGR P/N: ED 8976
 MFGR (TMC CODE #): S401-402

MAX RATINGS AND SPECIFICATIONS

PEAK REVERSE VOLTAGE	100V
D.C. OUTPUT @250°C	6ADC
PEAK ONE CYCLE SURGE (60Hz)	200A
FWD VOLT @2ADC & 25°C	1.2VDC MAX
REV CURRENT @100VDC & 25°C	5µADC MAX
OPER & STORAGE TEMP RANGE	55°C TO +100°C

PURCHASING NOTE: VENDOR MUST INCLUDE THE FOLLOWING INFORMATION WHEN SHIPPING THIS ITEM TO TMC.

1. AN OUTLINE DRAWING OR ILLUSTRATION FROM CATALOG SHOWING ALL PERTINENT DIMENSIONS AND TOLERANCES.
2. ELECTRICAL AND/OR MECHANICAL SPECIFICATIONS AS SHOWN IN THEIR CATALOGS.

UNLESS OTHERWISE SPECIFIED DIMENSIONS ARE IN INCHES AND INCLUDE CHEMICALLY APPLIED OR PLATED FINISHES		REQ'D	ITEM	PART NUMBER	DESCRIPTION	SYM.	
DECIMALS .X ± .05 .XX ± .01 .XXX ± .005	FRACTIONS 1/64 ANGLES 0°-30'	F. BUDETTI LIST OF MATERIAL					
MATERIAL		FINAL APPROVAL	<i>[Signature]</i>	DATE	THE TECHNICAL MATERIEL CORP. MAMARONECK, NEW YORK		
FINISH		MECH. DES.	<i>[Signature]</i>	DATE	RECTIFIER, LOW VOLTAGE		
		ELECT. DES.	<i>[Signature]</i>	DATE			
		CHECKED	<i>[Signature]</i>	DATE			
		DRAWN	<i>[Signature]</i>	DATE			
NOTICE TO PERSONS RECEIVING THIS DRAWING THE TECHNICAL MATERIEL CORPORATION claims proprietary right in the material disclosed hereon. This drawing is issued in confidence for engineering information only and may not be reproduced or used to manufacture anything shown hereon without permission from THE TECHNICAL MATERIEL CORPORATION to the user. This drawing is loaned for mutual assistance and is subject to recall at any time.				SIZE	CODE IDENT. NO.	DWG NO.	ISSUE
				A	82679	DD 141	Ø
				SCALE		SHEET	OF

APPLICATION			REVISIONS						
QTY	MODEL USED ON	ASS'Y NO.	LTR	DESCRIPTION	DATE	E.M.N.NO	DRAFT	CHKD	APPD
	HFSR-4		X	EXPERIMENTAL RELEASE	6/17/68			C.V.	<i>[Signature]</i>
			Ø	ORIG. RELEASE FOR PROD.	10/25/68	Ø		R.G.	<i>[Signature]</i>

MFGR (TMC CODE #): S401-302
 MFGR PART NUMBER: MDA942A3

SPECIFICATIONS

SINGLE-PHASE FULL-WAVE BRIDGE

OUTPUT CURRENT: 1.5 AMPS DC

Vrms VOLTS: 200V

CASE TYPE: III

CASE: MOLDED PLASTIC ENCAPSULATION,
 HERMETICALLY SEALED INDIVIDUAL
 RECTIFIER CELLS.

FINISH: EXTERNAL SURFACES CORROSION
 RESISTANT.

TERMINALS: SOLDER TYPE

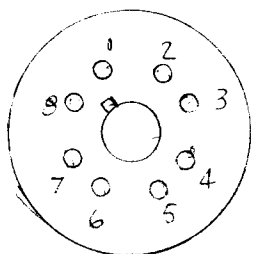
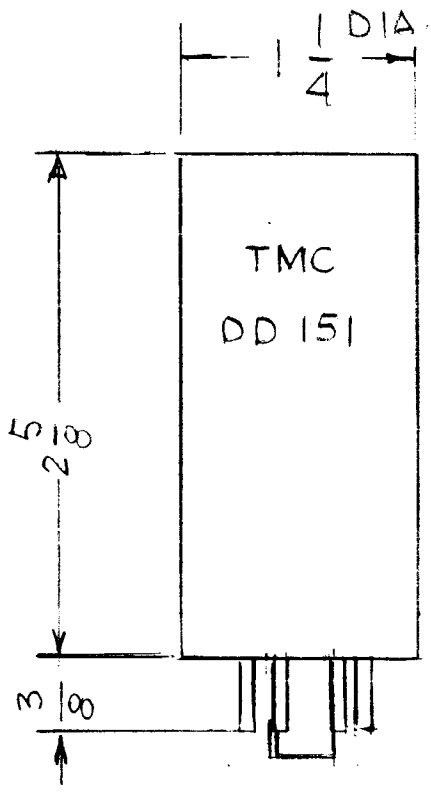
POLARITY: TERMINAL DESIGNATION BY COLOR DOTS
 AC INPUT: YELLOW
 + DC OUTPUT: RED
 - DC OUTPUT: NOT MARKED

PURCHASING NOTE: VENDOR MUST INCLUDE THE FOLLOWING INFORMATION WHEN SHIPPING THIS ITEM TO TMC.

1. AN OUTLINE DRAWING OR ILLUSTRATION FROM CATALOG SHOWING ALL PERTINENT DIMENSIONS AND TOLERANCES.
2. ELECTRICAL AND/OR MECHANICAL SPECIFICATIONS AS SHOWN IN THEIR CATALOG.

UNLESS OTHERWISE SPECIFIED DIMENSIONS ARE IN INCHES AND INCLUDE CHEMICALLY APPLIED OR PLATED FINISHES		REQ'D	ITEM	PART NUMBER	DESCRIPTION	SYM.		
DECIMALS: .X ± .05 .XX ± .01 .XXX ± .005 FRACTIONS: 1/64 TOLS. ANGLES: 0°-30'			O. POSE		LIST OF MATERIAL			
MATERIAL		FINAL APPROVAL	<i>[Signature]</i>	DATE	THE TECHNICAL MATERIEL CORP. MAMARONECK, NEW YORK			
FINISH		MECH. DES.		DATE	RECTIFIER, SEMI-CONDUCTOR DEVICE			
		ELECT. DES.		DATE				
		CHECKED	<i>[Signature]</i>	DATE				
		DRAWN	<i>[Signature]</i>	DATE				
NOTICE TO PERSONS RECEIVING THIS DRAWING THE TECHNICAL MATERIEL CORPORATION claims proprietary right in the material disclosed hereon. This drawing is issued in confidence for engineering information only and may not be reproduced or used to manufacture anything shown hereon without permission from THE TECHNICAL MATERIEL CORPORATION to the user. This drawing is loaned for mutual assistance and is subject to recall at any time.				SIZE	CODE IDENT. NO.	DWG NO.	DD 145	ISSUE
				A	82679			<i>[Signature]</i>
				SCALE		SHEET	OF	

APPLICATION			REVISIONS						
QTY	MODEL USED ON	ASS'Y NO.	LTR	DESCRIPTION	DATE	E.M.N.NO	DRAFT	CHKD	APPD
1	KIT-455								



SEMICON. INC.
 IN1239 2800 PIV

UNLESS OTHERWISE SPECIFIED DIMENSIONS ARE IN INCHES AND INCLUDE CHEMICALLY APPLIED OR PLATED FINISHES		REQ'D	ITEM	PART NUMBER	DESCRIPTION	SYM.
LIST OF MATERIAL						
DECIMALS .X ± .05 .XX ± .01 .XXX ± .005 FRACTIONS 1/64 ANGLES 0°-30°		FINAL APPROVAL		DATE	THE TECHNICAL MATERIEL CORP. MAMARONECK, NEW YORK FULL WAVES RECTIFIER	
MATERIAL		MECH. DES.		DATE		
FINISH		ELECT. DES.		DATE		
		CHECKED		DATE		
		DRAWN EDL		DATE		
NOTICE TO PERSONS RECEIVING THIS DRAWING THE TECHNICAL MATERIEL CORPORATION claims proprietary right in the material disclosed hereon. This drawing is issued in confidence for engineering information only and may not be reproduced or used to manufacture anything shown hereon without permission from THE TECHNICAL MATERIEL CORPORATION to the user. This drawing is loaned for mutual assistance and is subject to recall at any time.					SIZE A	CODE IDENT. NO. 82679
					DWG NO. DD 151	ISSUE 0
SCALE —					SHEET OF	

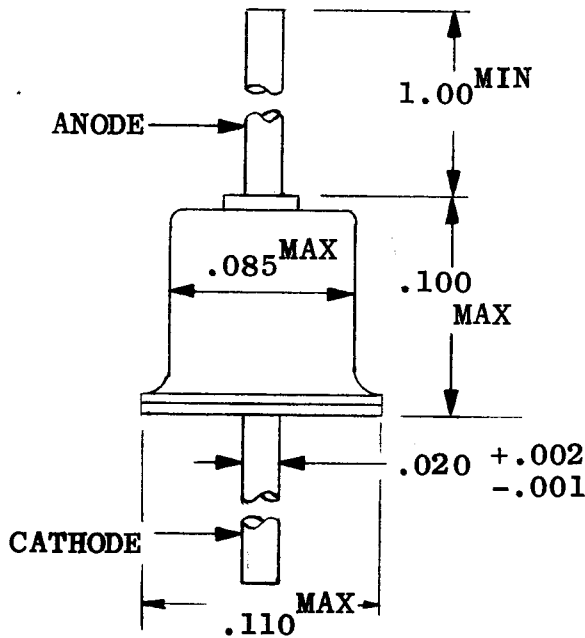
APPLICATION			REVISIONS						
QTY	MODEL USED ON	ASS'Y NO.	LTR	DESCRIPTION	DATE	E.M.N.NO	DRAFT	CHKD	APPD
	SPT3K/VHF	AP137	Ø	ORIG RELEASE FOR PROD	4/16/69	-#	CV		

MFR (TMC CODE NO.): S401-40

MFR CATALOG NUMBER: TD714

SPECIFICATIONS

PEAK CURRENT:
 Ip (mA): 2.2
 TOL (ma): .20
 MAX TOL CAP: 25pf
 MIN Ip/IV: 8.0



UNLESS OTHERWISE SPECIFIED DIMENSIONS ARE IN INCHES AND INCLUDE CHEMICALLY APPLIED OR PLATED FINISHES		REQ'D	ITEM	PART NUMBER	DESCRIPTION	SYM.	
LIST OF MATERIAL							
DECIMALS: .X ± .05, .XX ± .01, .XXX ± .005 FRACTIONS: 1/64, ANGLES: 0°-30° TOLS.		FINAL APPROVAL: <i>[Signature]</i> MECH. DES: <i>[Signature]</i> ELECT. DES: <i>[Signature]</i> CHECKED: <i>[Signature]</i> DRAWN: G. EVANGELIST		DATE: 4/15/69 DATE: 4-21-69 DATE: 7/21/68 DATE: 4-15-69		THE TECHNICAL MATERIEL CORP. MAMARONECK, NEW YORK SEMI-CONDUCTOR DEVICE, DIODE	
MATERIAL		SIZE		CODE IDENT. NO.	DWG NO.	ISSUE	
FINISH		A		82679	DD 8004	Ø	
NOTICE TO PERSONS RECEIVING THIS DRAWING THE TECHNICAL MATERIEL CORPORATION claims proprietary right in the material disclosed hereon. This drawing is issued in confidence for engineering information only and may not be reproduced or used to manufacture anything shown hereon without permission from THE TECHNICAL MATERIEL CORPORATION to the user. This drawing is loaned for mutual assistance and is subject to recall at any time.				SCALE		SHEET OF	

DD10001

ISSUE	ITEM	CHANGED FROM	DATE	CN. NO.	DRAFTS	CHECKER	ENG. APP.	REQ.	ITEM	PART NO.	DESCRIPTION	SYMBOL
0		ORIGINAL RELEASE	12/01/65		AM							

PEAK REVERSE VOLTAGE VOLTS	2000	TRANSIENT PEAK REVERSE VOLTAGE VOLTS	2500	MAX. AVER. FORWARD CURRENT AMPS	0.55	RECURRENT PEAK FORWARD CURRENT AMPS	5	SINGLE CYCLE SURGE CURRENT AMPS	30	TEMP. °C	150	Vf at If VOLTS AMPS	0.55 0.55	Irev at PRV	10uA Max.	Mfgs P/N	PH 103
----------------------------	------	--------------------------------------	------	---------------------------------	------	-------------------------------------	---	---------------------------------	----	----------	-----	---------------------	-----------	-------------	-----------	----------	--------

PS-7A	MODEL	PROJECT NO.	024/65	ASS'Y. NO.	DATE	STOCK SIZE		TMC (Canada) LIMITED OTTAWA ONTARIO					
USED ON						Diode, Silicon		DRAWN		ELEC. DES. APP.		MECH. DES. APP.	
MAXIMUM ALLOWABLE TOLERANCES HAVE BEEN DETERMINED AND DEVIATIONS WILL BE CAUSE FOR REJECTION. REMOVE ALL BURRS AND SHARP EDGES						MATERIAL		WEIGHT PER PC.		CHECKED		FINAL APPROVAL	
IF IT IS FOUND DESIRABLE TO CHANGE ANY TOLERANCE OR OTHER DETAIL SPECIFIED ON THIS DRAWING NOTIFY THE PURCHASER PROMPTLY.						TYPE & TEMPER		HEAT TREAT. SPEC.		BPM		RD	
TOLERANCES						SCALE		FINISH & SPEC. NO.		S10045-31		DD10001	
DEC. DIM. ±						DIMENSIONS IN INCHES		UNLESS OTHERWISE SPECIFIED		DRILL, PUNCH, COMMERCIAL STOCK SIZES AND MANUFACTURERS		TOLERANCES ARE NOT INCLUDED.	
FRAC. DIM. ±						ALL OTHERS		ANGULAR DIM. ±					

DD 10003

ISSUE	ITEM	CHANGED FROM	DATE	CN. NO.	DRAFTS	CHECKER	ENG.	REQ.	ITEM	PART NO.	DESCRIPTION	SYMBOL
Ø		REL TO PROD	AUG. 31/67		RPL							

STANDARD SPECIFICATIONS

TMC PART NO. DD 10003-1	CAPACITANCE (PF)		P. I. V. (VOLTS) 20	"Q" @ 50 mc & Vr = -4 V MIN. TYP. 25 40
	NOMINAL @ -4 V	RANGE @ -4 V		
	30	20 - 45		

ABSOLUTE MAXIMUM RATINGS:

OPERATING TEMPERATURE -65°C TO +100°C
 STORAGE TEMPERATURE -65°C TO +200°C
 POWER DISSIPATION @ 25°C AMBIENT 250 mW

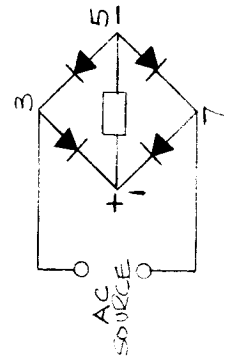
MFGR TYPE NPC-103-47

MFGR. - S10045-61

MODEL	PROJECT NO.	ASSY. NO.	DATE AUG 31/67
USED ON			
MAXIMUM ALLOWABLE TOLERANCES HAVE BEEN DETERMINED AND DEVIATIONS WILL BE CAUSE FOR REJECTION. REMOVE ALL BURRS AND SHARP EDGES		IF IT IS FOUND DESIRABLE TO CHANGE ANY TOLERANCE OR OTHER DETAIL SPECIFIED ON THIS DRAWING NOTIFY THE PURCHASER PROMPTLY.	
TOLERANCES			
ALL OTHERS	DEC. DIM. ± FRAC. DIM. ± ANGULAR DIM. ±	SCALE	DIMENSIONS IN INCHES UNLESS OTHERWISE SPECIFIED
DRILL, PUNCH, COMMERCIAL STOCK SIZES AND MANUFACTURERS TOLERANCES ARE NOT INCLUDED.		DIMENSIONS IN INCHES UNLESS OTHERWISE SPECIFIED	
FINISH & SPEC. NO.		HEAT TREAT. SPEC.	
TYPE & TEMPER		MATERIAL	
WEIGHT PER PC.		STOCK SIZE	
AP		TMC (Canada) LIMITED OTTAWA ONTARIO	
DRAWN RPL		DIODE VOLTAGE	
CHECKED		VARIABLE CAPACITANCE	
ELEC. DES. APP. [Signature]		AP	
MECH. DES. APP. [Signature]		DRAWN RPL	
FINAL APPROVAL		CHECKED	
DD 10003 Ø		DD 10003 Ø	

DD10004

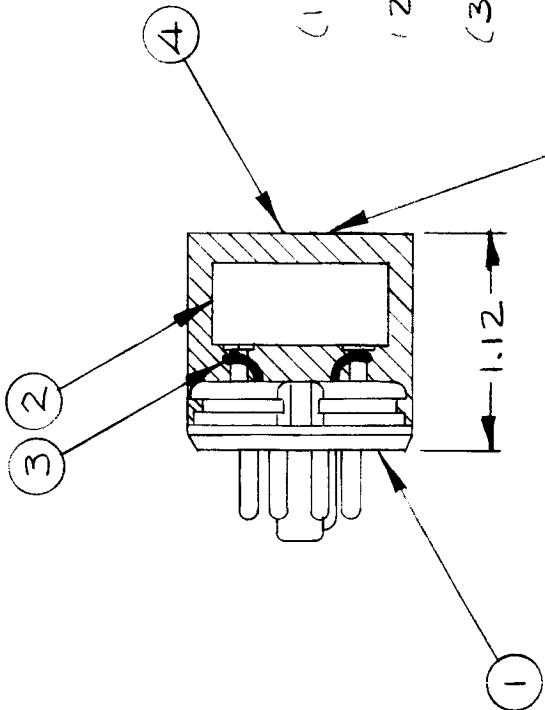
ISSUE	ITEM	CHANGED FROM	DATE	CN. NO.	DRAFTS	CHECKER	ENG. APP.	REQ.	ITEM	PART NO.	DESCRIPTION	SYMBOL
A		REL. TO PROJ. 20/68	20/68		RPL			1	1	PL 127	CONNECTOR, PLUG MALE	
		REV. AS PER CEMN 20/68 (387)			RPL			1	2	NW10004	RECTIFIER, SINGLE PHASE	
								AR	3	WL100-8	WIRE, BUSS	
								AR	4	GL106	COMPOUND, PLASTIC	



CIRCUIT

WIRING DETAIL

- (1) USING ITEM 3, CONNECT - PIN OF ITEM 2 TO PIN 5 OF ITEM 1
- (2) USING ITEM 3, CONNECT + PIN OF ITEM 2 TO PIN 1 OF ITEM 1
- (3) TWO REMAINING PINS ON ITEM 2, ARE TO BE CONNECTED TO PINS 3 AND 7 OF ITEM 1



STAMP TMC PART NO. C/W LATEST REV. LETTER

TTR-20 A		PROJECT NO.		DATE		AUG 19/68	
MODEL		ASSY. NO.		USED ON		TMC (Canada) LIMITED OTTAWA ONTARIO	
MAXIMUM ALLOWABLE TOLERANCES HAVE BEEN DETERMINED AND DEVIATIONS WILL BE CAUSE FOR REJECTION. REMOVE ALL BURRS AND SHARP EDGES		IF IT IS FOUND DESIRABLE TO CHANGE ANY TOLERANCE OR OTHER DETAIL SPECIFIED ON THIS DRAWING NOTIFY THE PURCHASER PROMPTLY.		MATERIAL		RECTIFIER, SILICON BRIDGE	
TOLERANCES		SCALE		TYPE & TEMPER		RPL	
DEC. DIM. ±		DIMENSIONS IN INCHES		HEAT TREAT. SPEC.		DRAWN	
FRAC. DIM. ±		UNLESS OTHERWISE SPECIFIED		CHECKED		ELEC. DES. APP. MECH. DES. APP.	
ANGULAR DIM. ±		DRILL, PUNCH, COMMERCIAL STOCK SIZES AND MANUFACTURERS TOLERANCES ARE NOT INCLUDED.		FINAL APPROVAL		W.	
ALL OTHERS				FINISH & SPEC. NO.		DD10004 A	