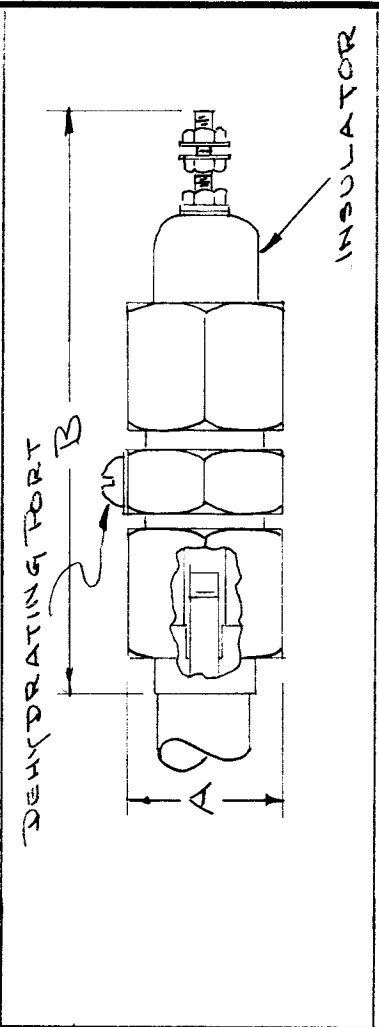
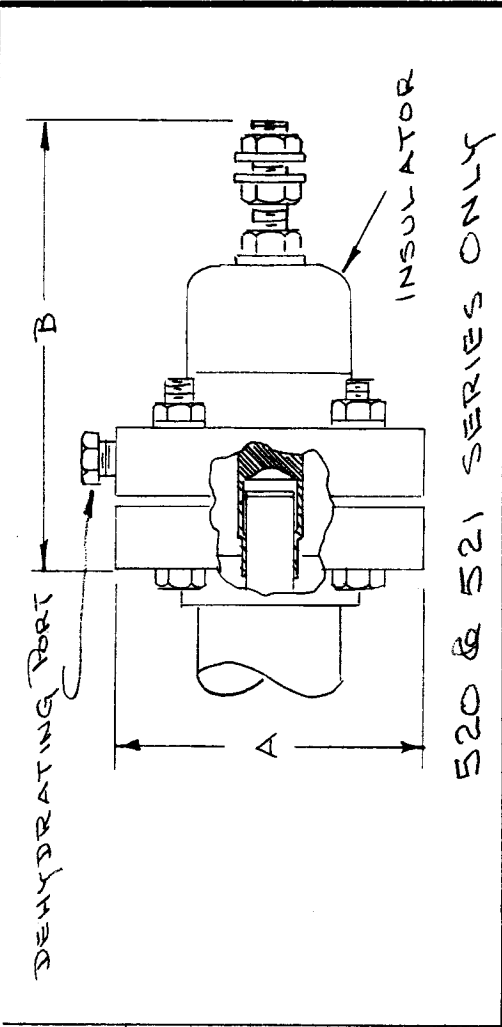


TMC NUMBER	CATALOG NUMBER	CABLE SIZE (O.D.)	IMP. OHMS	IMP.		REQ. PER UNIT	USED ON	
				A	B		MODEL	DATE



TMC NUMBER	CATALOG NUMBER	CABLE SIZE (O.D.)	IMP. OHMS	A	B
ES-100-1	53-513	3/8	50	1 1/16	3 1/4
ES-100-2	54-513	3/8	70	1 1/16	3 1/4
ES-100-3	53-514	1/2	50	7/8	3 1/2
ES-100-4	54-514	1/2	70	7/8	3 1/2
ES-100-5	53-515	3/4	50	1 1/4	4 1/2
ES-100-6	54-515	3/4	70	1 1/4	4 1/2
ES-100-7	53-516	7/8	50	1 3/8	4 5/8
ES-100-8	54-516	7/8	70	1 3/8	4 5/8
ES-100-9	53-518	1 1/8	50	1 5/8	5 7/8
ES-100-10	53-520	1 5/8	50	3 1/2	5
ES-100-11	54-520	1 5/8	70	3 1/2	5
ES-100-12	53-521	3 1/8	50	5 3/16	6 7/8

STANDARD DRAWING

REF: COMMUNICATIONS PRODUCTS CO (CAT# 255A-ISSUE 3)

REQ. ITEM	PART NO.	DESCRIPTION	SYMBOL
		THE TECHNICAL MATERIEL CORP. MAMARONECK, NEW YORK	
		END SEALS, FLARE TYPE	
		MATERIAL	
		TYPE & TEMPER	
		HEAT TREAT. SPEC.	
		DRAWN	
		CHECKED	
		DATE	
		FINISH & SPEC. NO.	
		ELEC. DES. APP.	
		MECH. DES. APP.	
		FINAL APPROVAL	

A. J. J

ES-100

TOLERANCES
 DEC. DIM. ±
 FRAC. DIM. ±
 ANGULAR DIM. ±

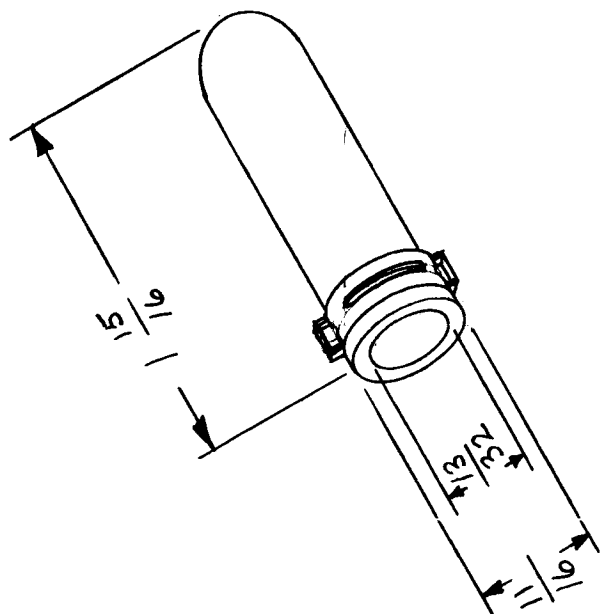
MAXIMUM ALLOWABLE TOLERANCES HAVE BEEN DETERMINED AND ANY DEVIATIONS WILL BE CAUSE FOR REJECTION.
 REMOVE ALL BURRS AND SHARP EDGES

REQ. PER. UNIT	MODEL	USED ON	ES-104
		ASST. N.	
		DATE	

ASSEMBLE INSTRUCTIONS

1. HALF FILL END SEAL WITH AMPHENOL 53-307 SILICONI COMPOUND, OR EQUIV. FORCE OVER CABLE.
2. FORCE OVER CABLE.
3. SLIP CLAMP OVER END SEAL CLAMP TIGHT.

DEPTH OF HOLE 1 1/2"



MATERIAL- POLYETHYLENE; MOLDED.
CLAMP- STEEL; RUSTPROOF FINISH.

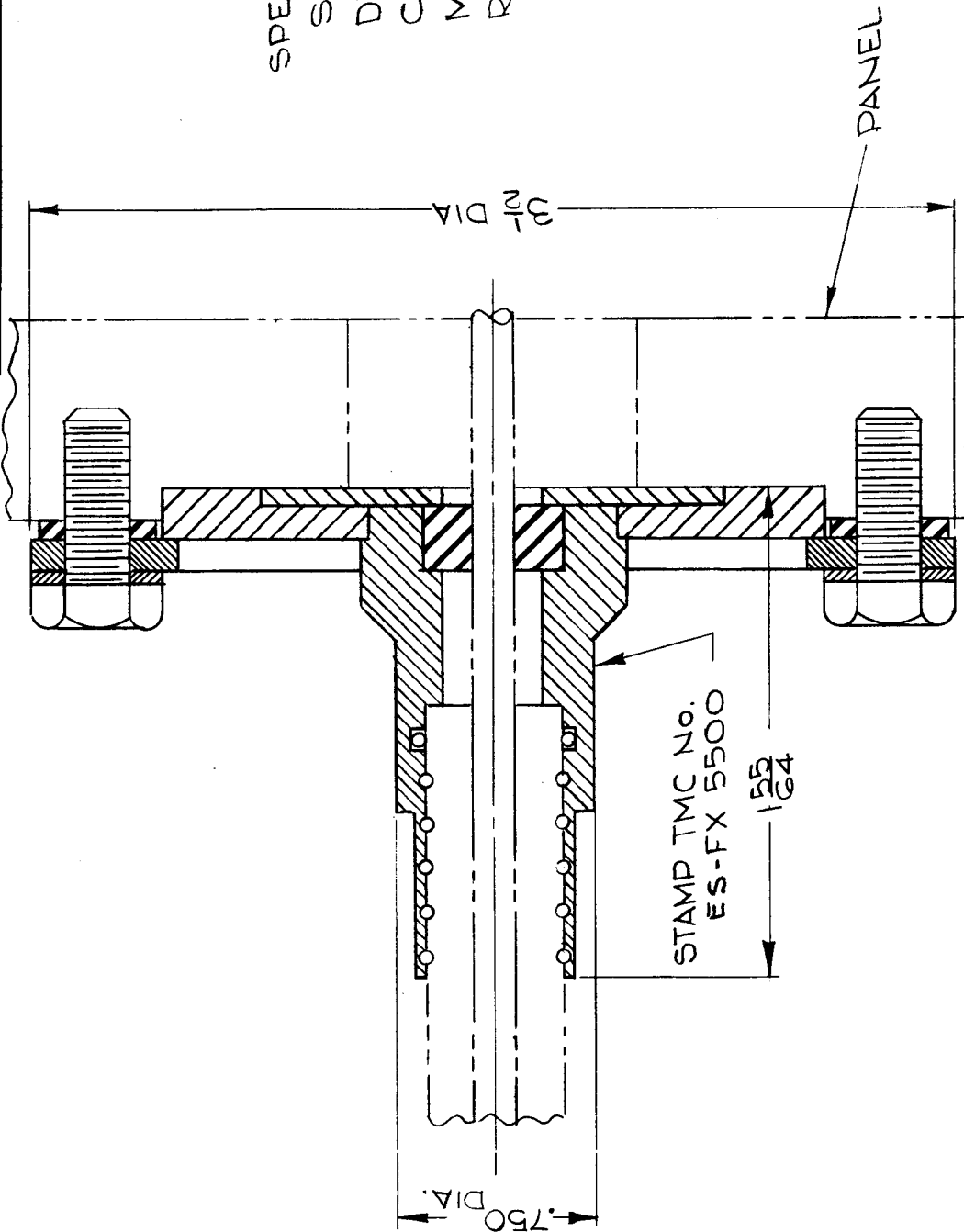
REQ. ITEM	PART NO.	DESCRIPTION	SYMBOL
		THE TECHNICAL MATERIEL CORP. MAMARONECK, NEW YORK	
		END SEAL, COAXIAL	
		FOR RG-8/U AND RG-11/U CABLE	
		MJT 9-21-61	
		DRAWN	CHECKED
		HEAT TREAT. SPEC.	FINAL APPROVAL
		FINISH & SPEC. NO.	ES-104
		ELEC. DES. APP. MECH. DES. APP.	

SCALE: S-401-70 (152-201)
MAXIMUM ALLOWABLE TOLERANCES HAVE BEEN DETERMINED AND ANY DEVIATIONS WILL BE CAUSE FOR REJECTION. REMOVE ALL BURRS AND SHARP EDGES

TOLERANCES

DEC. DIM. ±
FRAC. DIM. ±
ANGULAR DIM. ±

REQ. PER UNIT	MODEL	USED ON ASSY. NO.	DATE
		ES FX 5500	8/19/63



SPECIFICATIONS
 SERIES: FOAMFLEX
 DIELECTRIC: TEFLON
 CABLE: FOR USE W/1/2-50Ω.FX
 MOUNTING: PANEL
 REMARKS: WIRELOCK

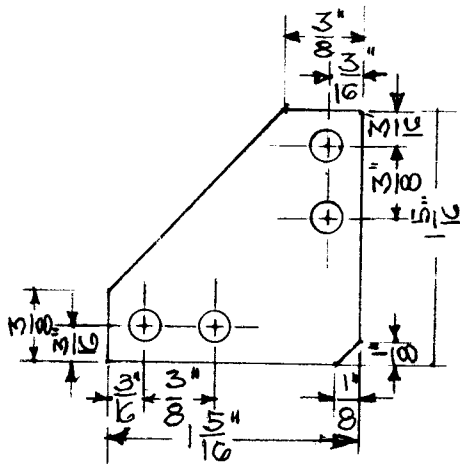
SYM	DESCRIPTION	DATE	CH. NO.	DRAFTS	CHECKER	ENG. APP.	REQ. ITEM	PART NO.	MARTINEN/DESCRIPTION	SYMBOL
	UNLESS OTHERWISE SPECIFIED DIMENSIONS ARE IN INCHES AND INCLUDE CHEMICALLY APPLIED OR PLATED FINISHES								THE TECHNICAL MATERIEL CORP. MAMARONECK. NEW YORK	
	TOLERANCES								CONNECTOR, BOX	
	DECIMALS									
	.X ± .05									
	.XX ± .01									
	.XXX ± .005									
	FRACTIONS									
	± 1/64									
	ANGLES									
	± 0° 30'									
	SCALE									
	NOT TO SCALE									
	CODE									
	S401-70 (2942)									
	TYPE & TEMPER									
	HEAT TREAT. SPEC.									
	MATERIAL									
	STOCK SIZE									
	DRAWN									
	CHECKED									
	DATE									
	8/20/63									
	FINAL APPROVAL									
	ES-FX 5500									
	ELEC. DES. APP.									
	MECH. DES. APP.									

NOTICE TO PERSONS RECEIVING THIS DRAWING

THE TECHNICAL MATERIEL CORPORATION claims proprietary right in the material disclosed herein. This drawing is issued in confidence for engineering information only and may not be reproduced or used for manufacturing or other purposes without permission from THE TECHNICAL MATERIEL CORPORATION to the user. This drawing is loaned for mutual assistance and is subject to recall at any time.

Property of:

THE TECHNICAL MATERIEL CORPORATION
MAMARONECK, NEW YORK



ALL HOLES TO BE $\frac{3}{16}$ " DIAMETER PUNCHED
MATERIAL SHEET 57S- $\frac{1}{2}$ HARD. 0.064.

DATE 14-5-53	GUSSET PLATE MODEL PSP-2	TMC. (Canada) LTD. OTTAWA ONTARIO
DRN J.R.H		
CHKD.		
APP. <i>J.R.H.</i>		
SHEET OF		NO ES-10005

ES-10005