

FP-105 D

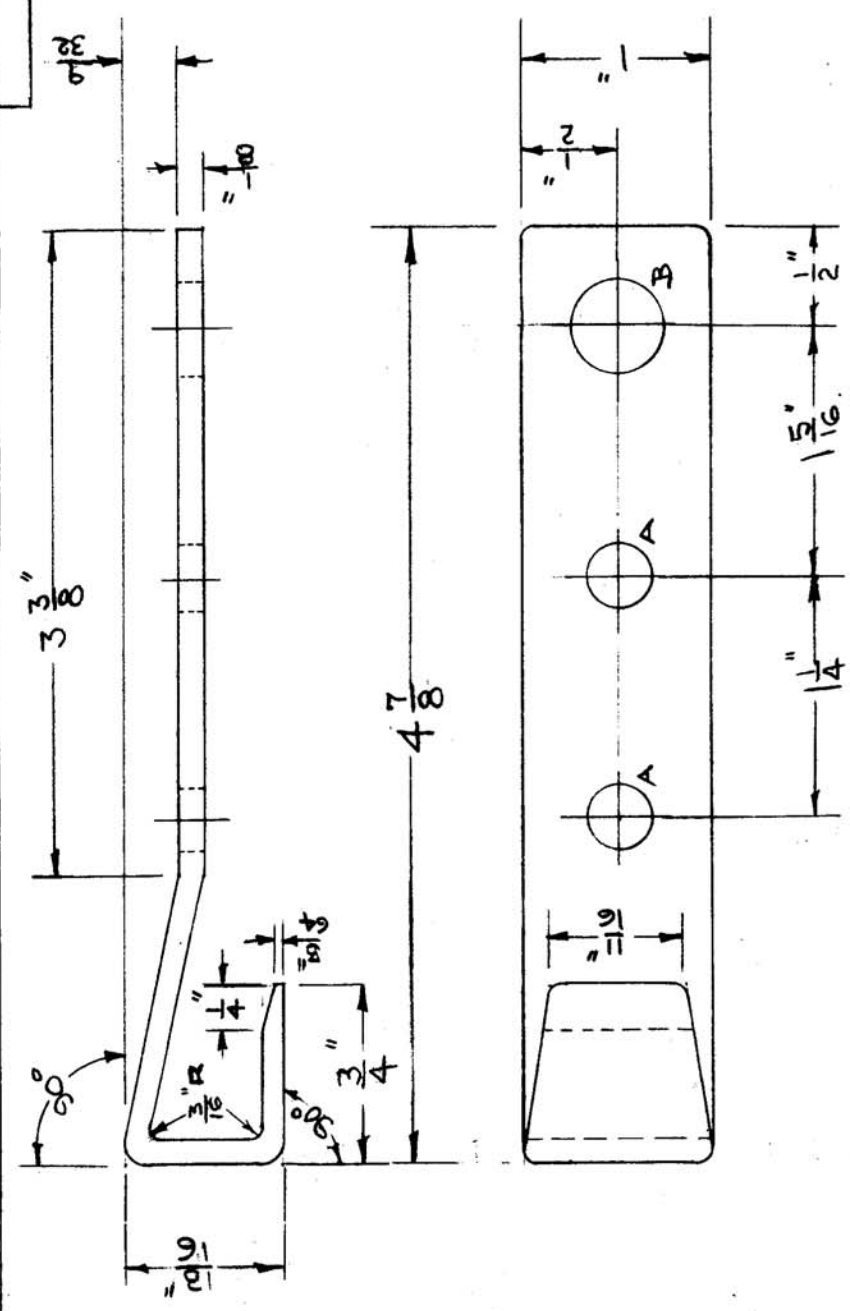
RELEASED

IF IT IS FOUND DESIRABLE TO CHANGE ANY TOLERANCE OR OTHER DETAIL SPECIFIED ON THIS DRAWING NOTIFY THE PURCHASER PROMPTLY.

MAXIMUM ALLOWABLE TOLERANCES HAVE BEEN DETERMINED AND DEVIATIONS WILL BE CAUSE FOR REJECTION. REMOVE ALL BURRS AND SHARP EDGES

MODEL	PROJECT NO.	ASSY. NO.	DATE
	# 141	A-126	8-22-52

USED ON



A = 1/32 D (.343) 2-Holes
 B = 1/2 D (.500) 1-Hole
Note.
 REMOVE ALL BURRS &
 SHARP CORNERS.

ISSUE	ITEM	CHANGED FROM	DATE	CN. NO.	DRAFTSMAN	CHECKER	ENG. APP.
D	11	43 ADDED	90°	4	JAD	JAD	JAD
C	10	GENERAL REVISION		3	JAD	VS	JAD
B	9	GENERAL REVISION		2	JAD	R7B	JAD

REQ. ITEM	PART NO.	DESCRIPTION	SYMBOL
	1/8 THICK	THE TECHNICAL MATERIEL CORP. MAMARONECK, NEW YORK	
	COPPER	CONTACT ARM	
	STOCK SIZE		
	MATERIAL		
	1/2 HARD		
	TYPE & TEMPER		
	WEIGHT PER PC.		
	HEAT TREAT. SPEC.		
	SILVER PLATE .0001K FINISH & SPEC. NO.		

JAD 8-22-52
 DRAWN
 R7B 8/29/52
 CHECKED

ELEC. DES. APP.
 MECH. DES. APP.
 FINAL APPROVAL
 FP-105 D