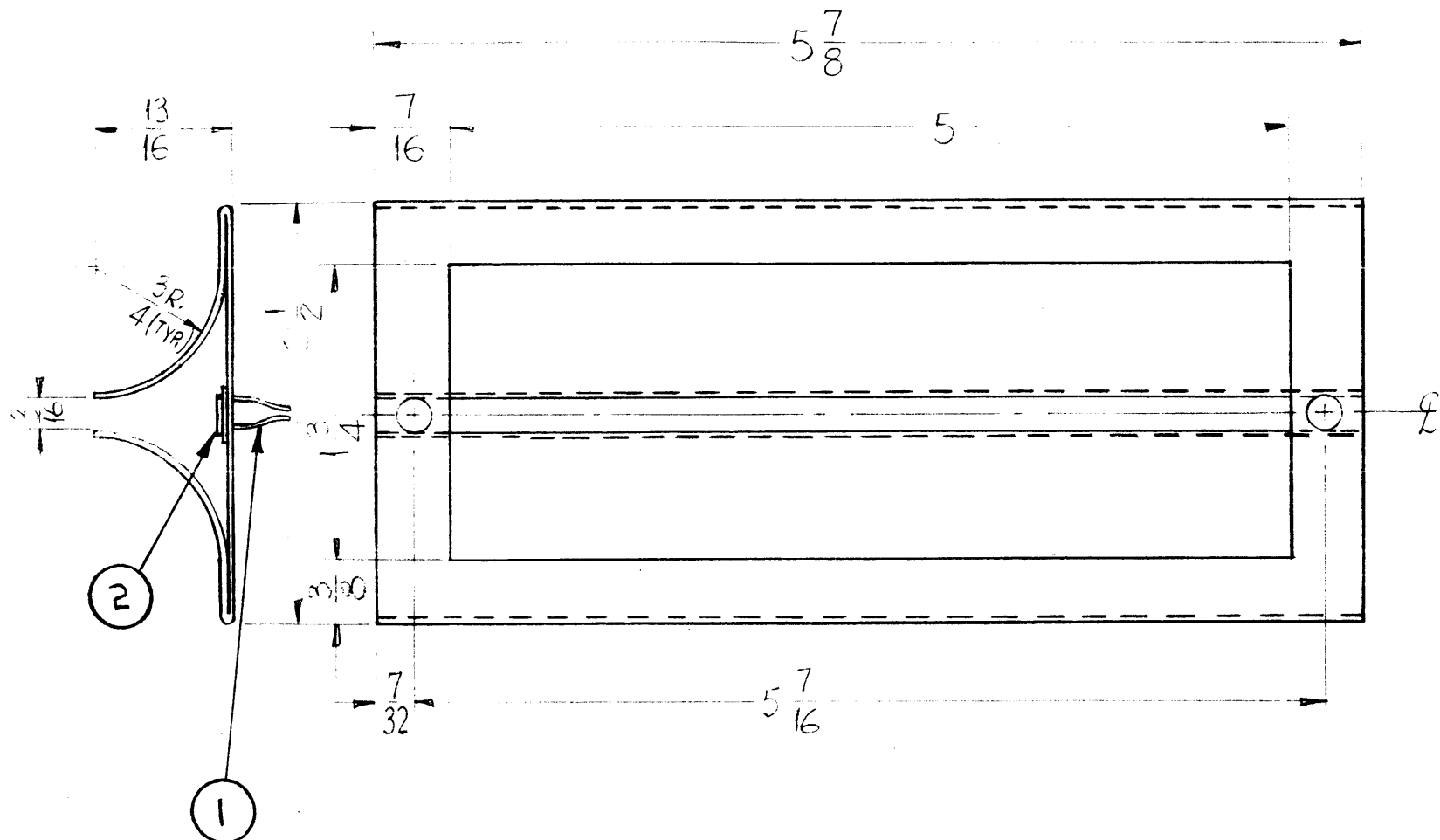


X  
FP-194

REVISIONS

SYM	DESCRIPTION	DATE	E.M.N. NO.	DRAFT	CHKD	APPD
X	CHART ADDED MATERIAL WAS #20 GA STL.	9/20/65	TH	H.V.V.		



TMC P/N	MATERIAL
FP-194	#20 GA STL. CR5
FP194-2	.040 ALUM. 5052-H32

NOTE  
INSTALL ITEMS 1 & 2  
AFTER PAINTING.

REQ'D.	ITEM	PART NUMBER	DESCRIPTION	SYMBOL
2	2	FW10HBN	WASHER, FLAT	
2	1	FS-115-1	CLIP, SPRING TENSION	

**KRUZ LIST OF MATERIAL**

MATERIAL SEE CHART	THE TECHNICAL MATERIEL CORP. MAMARONECK, NEW YORK																	
FINISH BLUE VINYL	TITLE PLATE, AIR DEFLECTOR																	
UNLESS OTHERWISE SPECIFIED DIMENSIONS ARE IN INCHES AND INCLUDE CHEMICALLY APPLIED OR PLATED FINISHES		<table border="1"> <tr> <td>DRAWN DM</td> <td>DATE 5/25/62</td> <td>FINAL APPROVAL <i>[Signature]</i></td> <td>DATE</td> </tr> <tr> <td>CHECKED <i>[Signature]</i></td> <td>DATE</td> <td></td> <td></td> </tr> <tr> <td>ELECT. DES.</td> <td>DATE</td> <td></td> <td></td> </tr> <tr> <td>MECH. DES.</td> <td>DATE</td> <td></td> <td></td> </tr> </table>	DRAWN DM	DATE 5/25/62	FINAL APPROVAL <i>[Signature]</i>	DATE	CHECKED <i>[Signature]</i>	DATE			ELECT. DES.	DATE			MECH. DES.	DATE		
DRAWN DM	DATE 5/25/62	FINAL APPROVAL <i>[Signature]</i>	DATE															
CHECKED <i>[Signature]</i>	DATE																	
ELECT. DES.	DATE																	
MECH. DES.	DATE																	
DECIMALS .X ± .05 .XX ± .01 .XXX ± .005	TOLERANCES	FRACTIONS ± 1/64 ANGLES ± 0° 30'	<table border="1"> <tr> <td>SHEET</td> <td>REV. LTR.</td> </tr> <tr> <td>FP-194</td> <td>X</td> </tr> </table>	SHEET	REV. LTR.	FP-194	X											
SHEET	REV. LTR.																	
FP-194	X																	

Q'TY./UNIT		MODEL USED ON		ASS'Y. NO.
SCALE #		CODE A		
THE CONTENTS OF THIS DRAWING ARE THE EXCLUSIVE PROPERTY OF THE TECHNICAL MATERIEL CORP. ITS UNAUTHORIZED USE OR REPRODUCTION IN WHOLE OR IN PART IS STRICTLY FORBIDDEN.				

NOTES