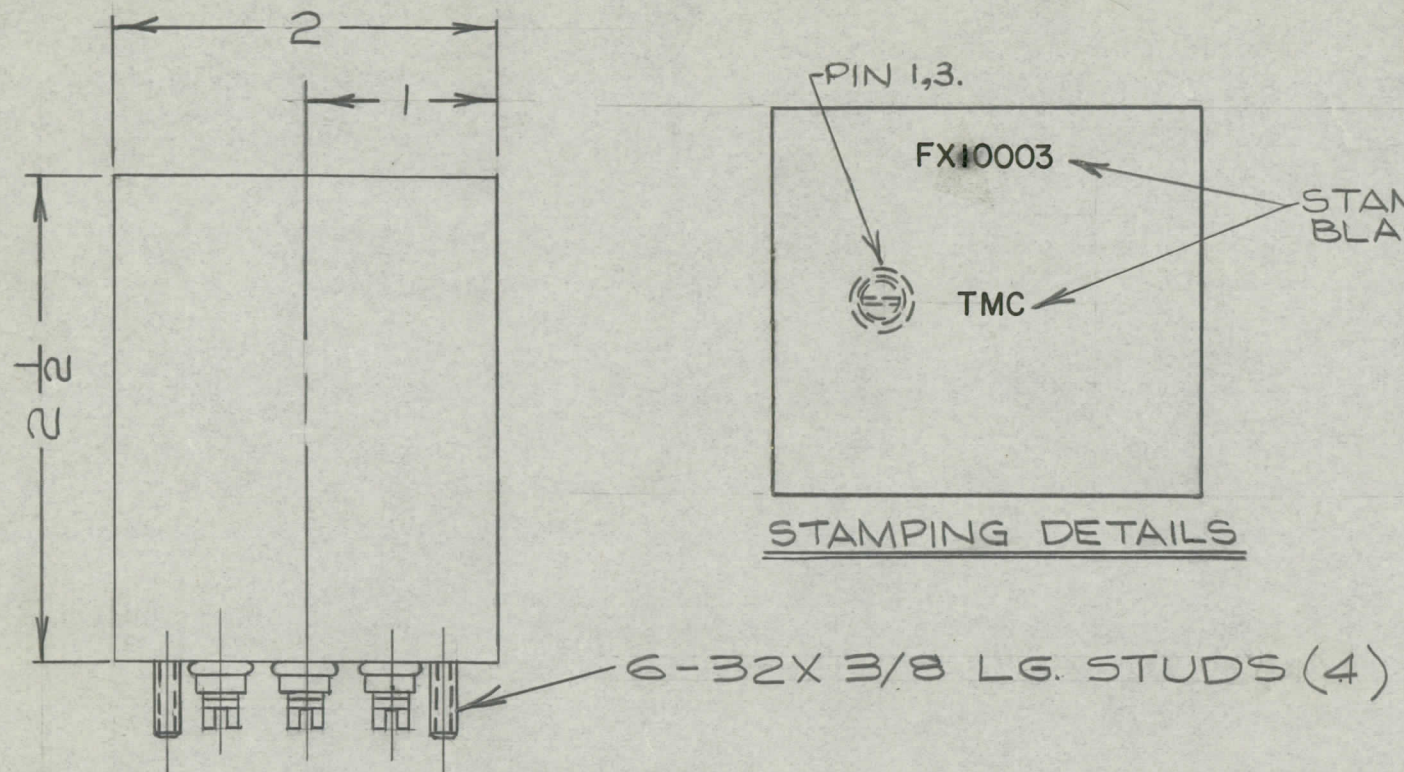


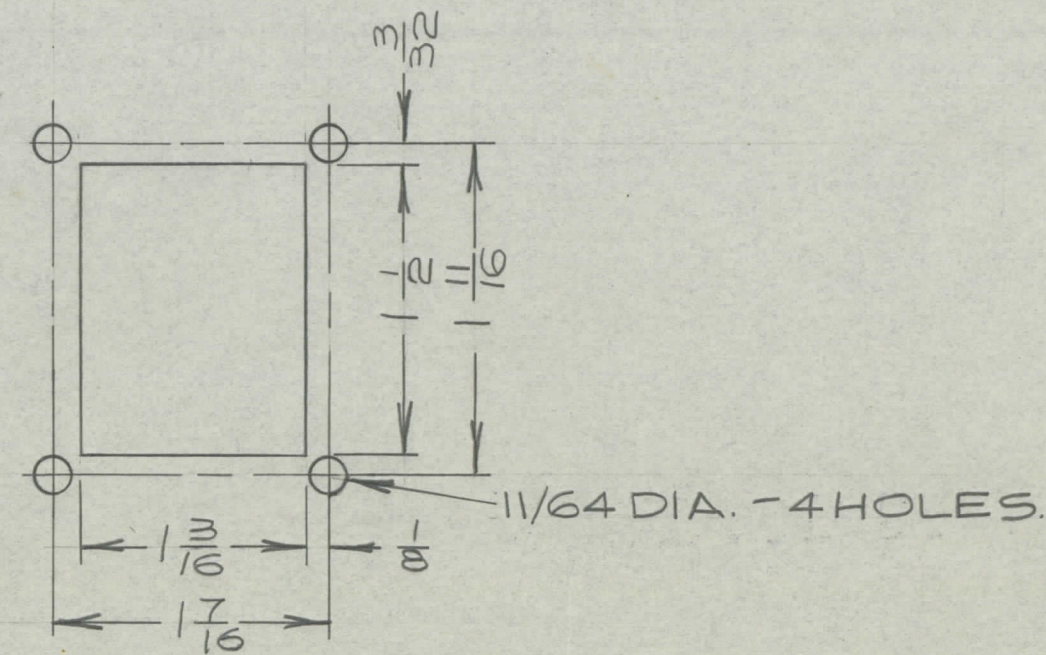
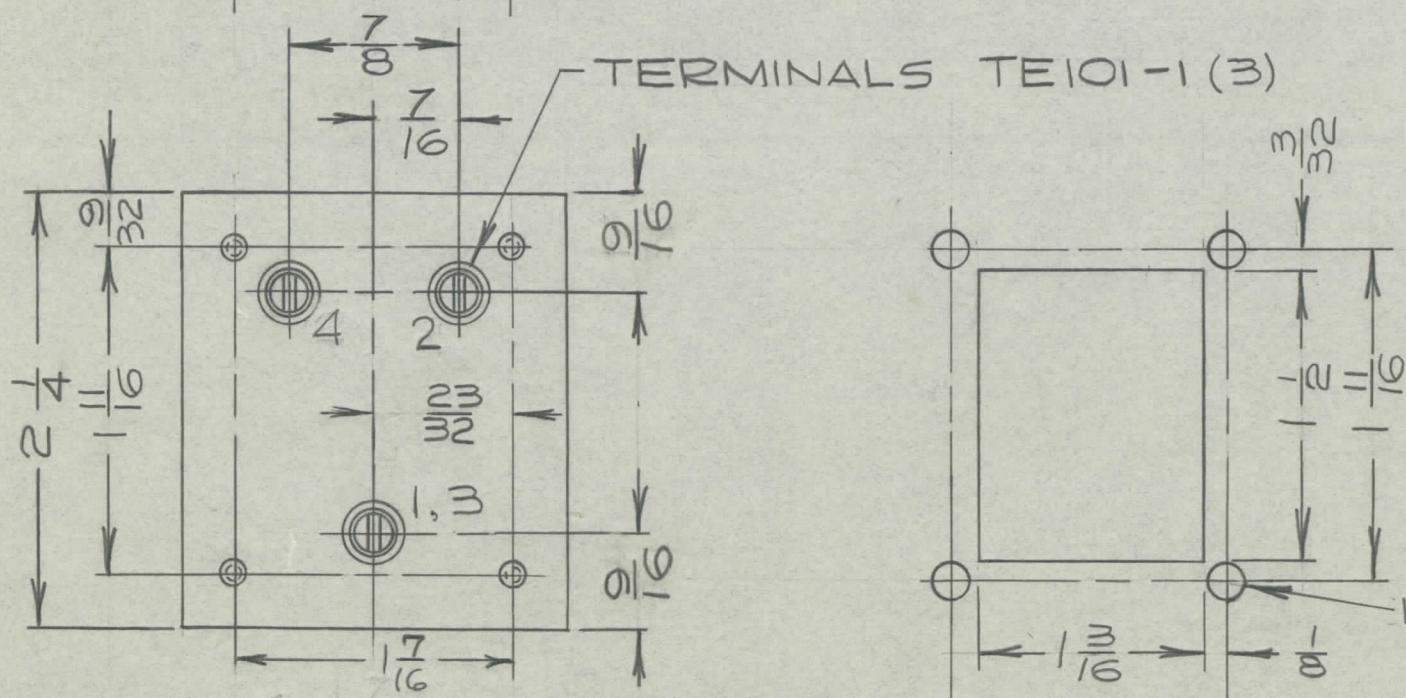
IF IT IS FOUND DESIRABLE TO CHANGE ANY TOLERANCE OR OTHER DETAIL SPECIFIED ON THIS DRAWING NOTIFY THE PURCHASER PROMPTLY.

MAXIMUM ALLOWABLE TOLERANCES HAVE BEEN DETERMINED AND DEVIATIONS WILL BE CAUSE FOR REJECTION. REMOVE ALL BURRS AND SHARP EDGES

FX10003 B



STAMPING DETAILS



FX10003  
ELECTRICAL SPECIFICATIONS  
 INPUT: TERMINAL 4: 700 OHMS UNBALANCED.  
 OUTPUT: TERMINAL 2: 700 OHMS UNBALANCED  
 GROUND: TERMINALS 1 & 3.

MECHANICAL SPECIFICATIONS  
 LENGTH: 2 - 1/4"  
 WIDTH: 2"  
 HEIGHT: 2 - 1/2" (EXCLUDING TERMINALS)  
 TERMINALS: 3 CERAMIC TURRET TYPE, 3/8" HIGH.  
 MOUNTING: (4) 6-32 X 3/8" STUDS.

B	REVERSED TERM. 2 & 4	7-13-66	16521	HCA	JPC		
A	STAMPING DET. ADDED	JAN 12/61		JPC			
ISSUE	ITEM	CHANGED FROM	DATE	CN. NO.	DRAFTS	CHECKER	ENG. APP.
TOLERANCES		SCALE: NTS					
ALL OTHERS	DEC. DIM. ± FRAC. DIM. ± 1/64 ANGULAR DIM. ±	DRILL, PUNCH, COMMERCIAL STOCK SIZES AND MANUFACTURERS TOLERANCES ARE NOT INCLUDED.					

AMC6-5 CE646 A10253 JAN.19/60.  
 MODEL PROJECT NO. ASS'Y. NO. DATE  
 USED ON

REQ.	ITEM	PART NO.	DESCRIPTION	SYMBOL
			<b>TMC (Canada) LIMITED</b> OTTAWA ONTARIO	
		STOCK SIZE	FILTER,	
		MATERIAL	WEIGHT PER PC.	
			HIGH PASS	
		TYPE & TEMPER	JPC	
		HEAT TREAT. SPEC.	DRAWN: <i>L.M.</i> ELEC. DES. APP.: <i>L.M.</i> MECH. DES. APP.: <i>L.M.</i>	
		FINISH & SPEC. NO.	CHECKED: <i>L.M.</i> FINAL APPROVAL	
				FX10003 B