

EX-177

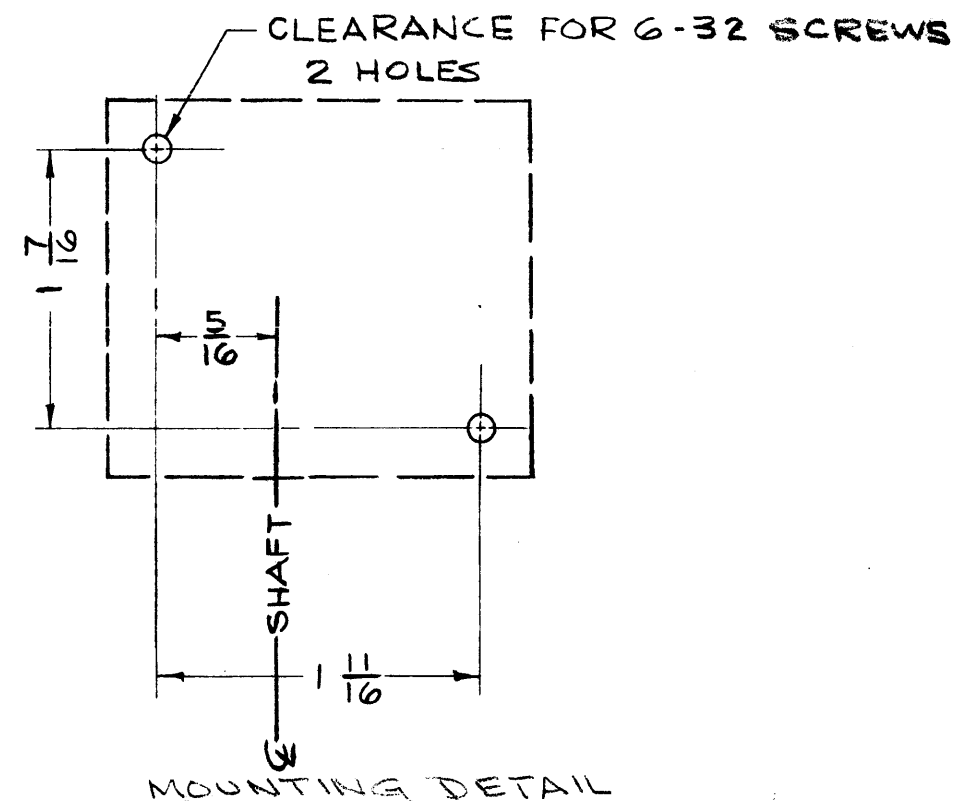
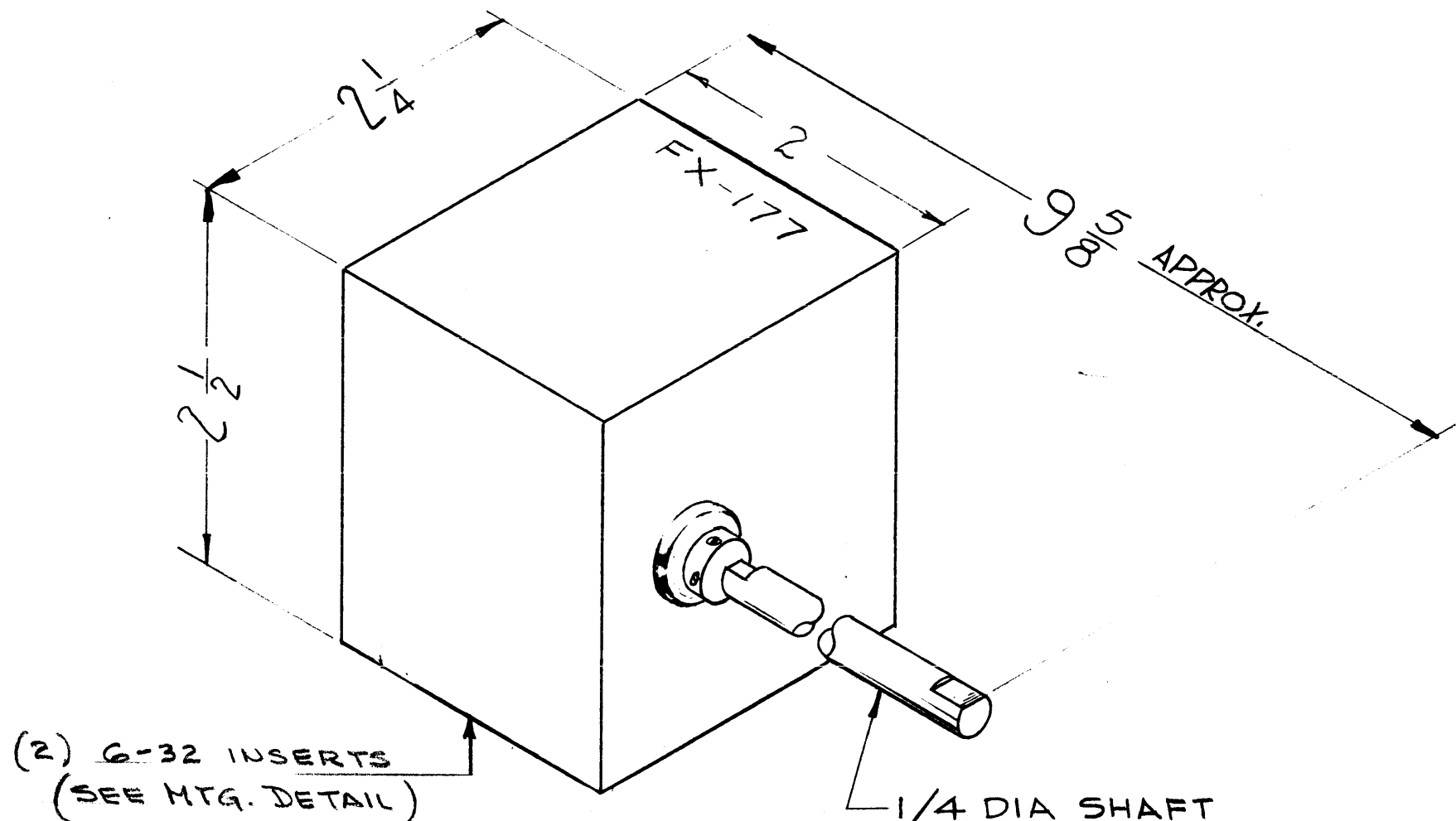
DIM FOR REF ONLY

ELECTRICAL SPECIFICATIONS

PERFORMANCE CHARACTERISTICS:
BANDPASS FILTER
FREQUENCY:
 455 KC

MECHANICAL SPECIFICATIONS

CASE MATERIAL:
 STEEL
CASE FINISH:
 SMOOTH GRAY ENAMEL
 (T M C S-115)
CASE MOUNTING:
 (2) 6-32 INSERTS
 (See Mounting Detail)



(2) 6-32 INSERTS
 (SEE MTG. DETAIL)

NOTE TO PERSONS RECEIVING THIS DRAWING

THE TECHNICAL MATERIEL CORPORATION claims proprietary right in the material disclosed hereon. This drawing is issued in confidence for engineering information only and may not be reproduced or used to manufacture anything shown hereon without permission from THE TECHNICAL MATERIEL CORPORATION to the user. This drawing is loaned for mutual assistance and is subject to recall at any time.

Property of:
 THE TECHNICAL MATERIEL CORPORATION
 MAMARONECK, NEW YORK

SYM	DESCRIPTION	DATE	CH. NO.	DRAFTS	CHECKER	ENG. APP.
	UNLESS OTHERWISE SPECIFIED: DIMENSIONS ARE IN INCHES TOLERANCES ON FRACTIONS ± 1/64 DECIMALS ± .05 ANGLES ± 1/2°					
	SCALE: 4A-2120 MAXIMUM ALLOWABLE TOLERANCES HAVE BEEN DETERMINED AND ANY DEVIATIONS WILL BE CAUSE FOR REJECTION. REMOVE ALL BURRS AND SHARP EDGES					

REQ. PER UNIT	MODEL	SECTION	ASS'Y. NO.	DATE
	GPR-92	I.F.	A2120	9-20-61
	USED ON			

REQ. ITEM	PART NO.	STRUMER DESCRIPTION	SYMBOL
		THE TECHNICAL MATERIEL CORP. MAMARONECK, NEW YORK	
		FILTER, VARIABLE	
		R LUTZ	
		DRAWN	CHECKER
		JMA	JMA
		FINISH & SPEC. NO.	FX-177
		ELEC. DES. APP.	MECH. DES. APP.