

REVISIONS					
SYM	DESCRIPTION	DATE	E.M.N. NO.	DRAFT	CHKD APPD
Ø	ORIGINAL RELEASE FOR PRODUCTION	3.16.65	X	hps	
A	PICT. ADD MARKING "IN" "GRD" "OUT" "GRD"	3-20-67	18005	L.P.K.	

ELECTRICAL SPECIFICATIONS

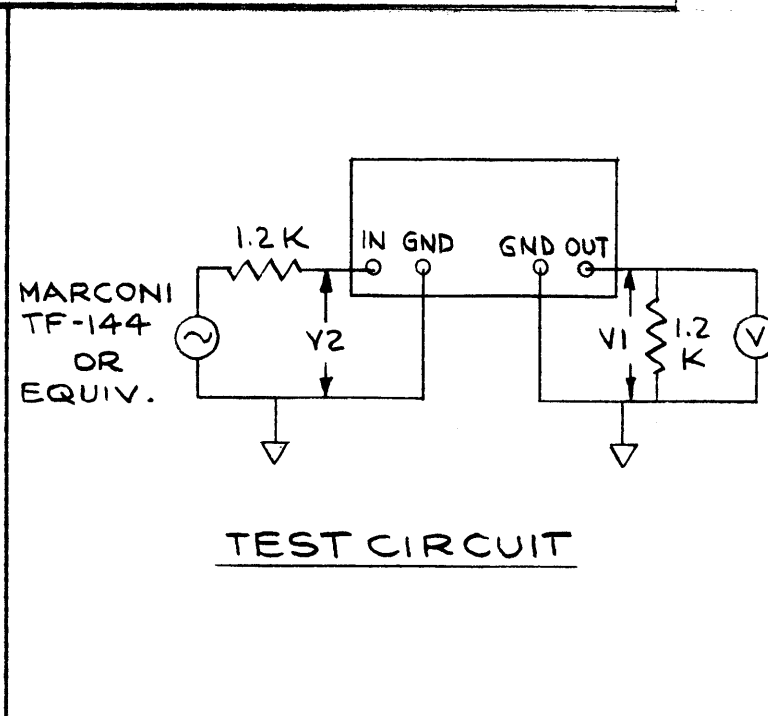
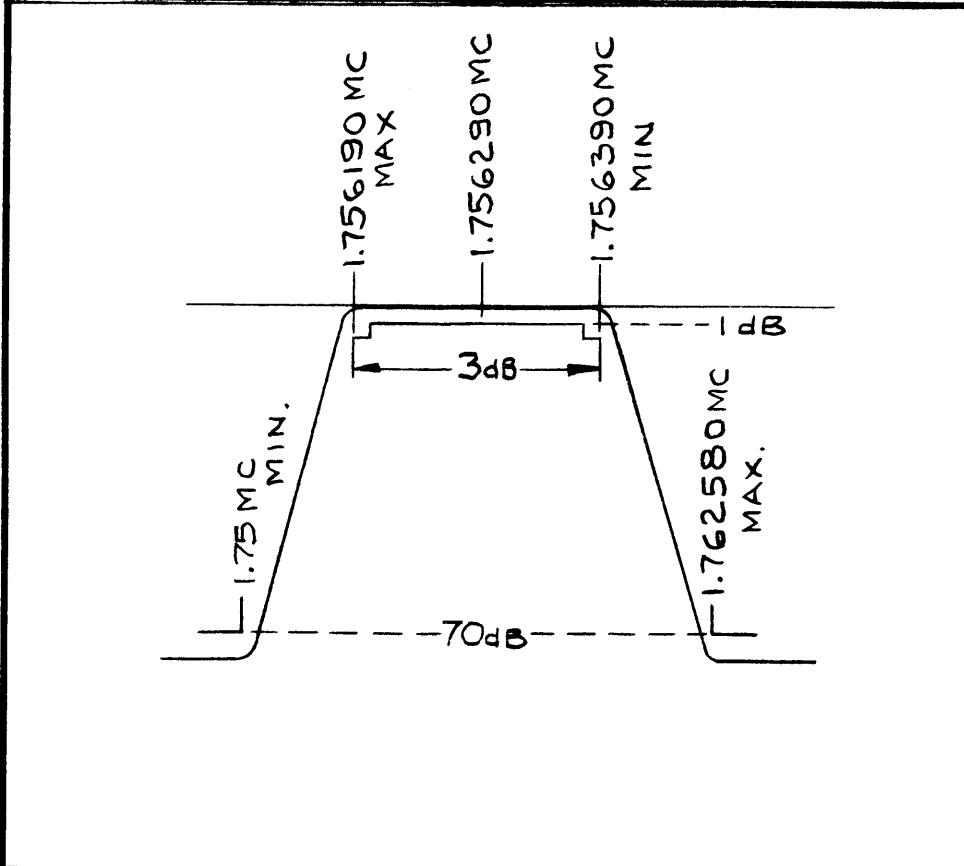
3 db B.W.: 1,756,190 cps MAX.
1,756,390 cps MIN.

70 db B.W.: 1,750,000 cps MIN.
1,762,580 cps MAX.

SOURCE IMPEDANCE: 1.2K Ω ±10%
LOAD IMPEDANCE: 1.2K Ω ±10%
INSERTION LOSS: 6.0 dB MAX.
PEAK TO VALLEY RATIO: 1dB MAX.

ENVIRONMENTAL REQUIREMENTS:
OPERATING TEMPERATURE RANGE: 0 TO 50°C

MECHANICAL REQUIREMENTS
UNIT TO BE HERMETICALLY SEALED
DIMENSION: SEE FIG. II
FINISH: POWDER BLASTED NICKEL
MATERIAL: .030 BRASS
MARKING: BLACK EPOXY INK



NOTES

CMRA-1	
Q'TY./UNIT	MODEL USED ON
SCALE	ASS'Y. NO.
1:1	C

THE CONTENTS OF THIS DRAWING ARE THE EXCLUSIVE PROPERTY OF THE TECHNICAL MATERIEL CORP. ITS UNAUTHORIZED USE OR REPRODUCTION IN WHOLE OR IN PART IS STRICTLY FORBIDDEN.

REQ'D.	ITEM	PART NUMBER	DESCRIPTION	SYMBOL																																
POSE LIST OF MATERIAL																																				
MATERIAL		SEE NOTES																																		
FINISH		SEE NOTES																																		
UNLESS OTHERWISE SPECIFIED DIMENSIONS ARE IN INCHES AND INCLUDE CHEMICALLY APPLIED OR PLATED FINISHES		THE TECHNICAL MATERIEL CORP. MAMARONECK, NEW YORK TITLE FILTER, CRYSTAL 1.756290 MC Band Pass Crystal Filter 3db BW 200 cps Min.																																		
DECIMALS	TOLERANCES	FRACTIONS	<table border="1"> <tr> <td>DRAWN</td> <td>DATE</td> <td>FINAL APPROVAL</td> <td>DATE</td> </tr> <tr> <td>hps</td> <td>3.16.65</td> <td>[Signature]</td> <td>5/14/65</td> </tr> <tr> <td>CHECKED</td> <td>DATE</td> <td></td> <td></td> </tr> <tr> <td>OC/B</td> <td>5/14/65</td> <td></td> <td></td> </tr> <tr> <td>ELECT. DES.</td> <td>DATE</td> <td></td> <td></td> </tr> <tr> <td>SP</td> <td>5/14/65</td> <td></td> <td></td> </tr> <tr> <td>MECH. DES.</td> <td>DATE</td> <td></td> <td></td> </tr> <tr> <td></td> <td></td> <td></td> <td></td> </tr> </table>		DRAWN	DATE	FINAL APPROVAL	DATE	hps	3.16.65	[Signature]	5/14/65	CHECKED	DATE			OC/B	5/14/65			ELECT. DES.	DATE			SP	5/14/65			MECH. DES.	DATE						
DRAWN	DATE	FINAL APPROVAL	DATE																																	
hps	3.16.65	[Signature]	5/14/65																																	
CHECKED	DATE																																			
OC/B	5/14/65																																			
ELECT. DES.	DATE																																			
SP	5/14/65																																			
MECH. DES.	DATE																																			
.X ± .05		± 1/64	<table border="1"> <tr> <td colspan="2">FX 222</td> <td>A</td> </tr> <tr> <td>SHEET</td> <td colspan="2">REV. LTR.</td> </tr> </table>		FX 222		A	SHEET	REV. LTR.																											
FX 222		A																																		
SHEET	REV. LTR.																																			
.XX ± .01		ANGLES																																		
.XXX ± .005		± 0° 30'																																		