

REVISIONS							
ZONE	LTR	DESCRIPTION	DATE	E.M.N.NO	DRAFT	CHKD	APPD
	X	EXP. RELEASE	7-18-67			WFO	
	Ø	ORIG. REL. FOR PROD.	9-12-67			R.G.	

SPECIFICATIONS

ELECTRICAL:

- TYPE: UPPER SIDEBAND
- CARRIER FREQUENCY: 250 KHZ
- CARRIER SUPPRESSION: -45 dB OR GREATER
- 2 dB POINTS: 250.250 KHZ MAX 253.000 KHZ MIN
- TRAILING SLOPE: 262.5 KHZ 40 dB OR MORE
- UNWANTED SIDEBAND ATTENUATION: GREATER THAN 60 dB FOR FREQUENCIES LESS THAN 249.700 KHZ INCLUDING ALL RETURN LOSSES AND SPURIOUS
- MAXIMUM PASSBAND RIPPLE: 2 dB
- INSERTION LOSS: 10 dB MAX
- INPUT AND OUTPUT IMPEDANCE: 1.0 K UNBALANCED
- TEMPERATURE RANGE: 0°C TO 70°C

MECHANICAL:

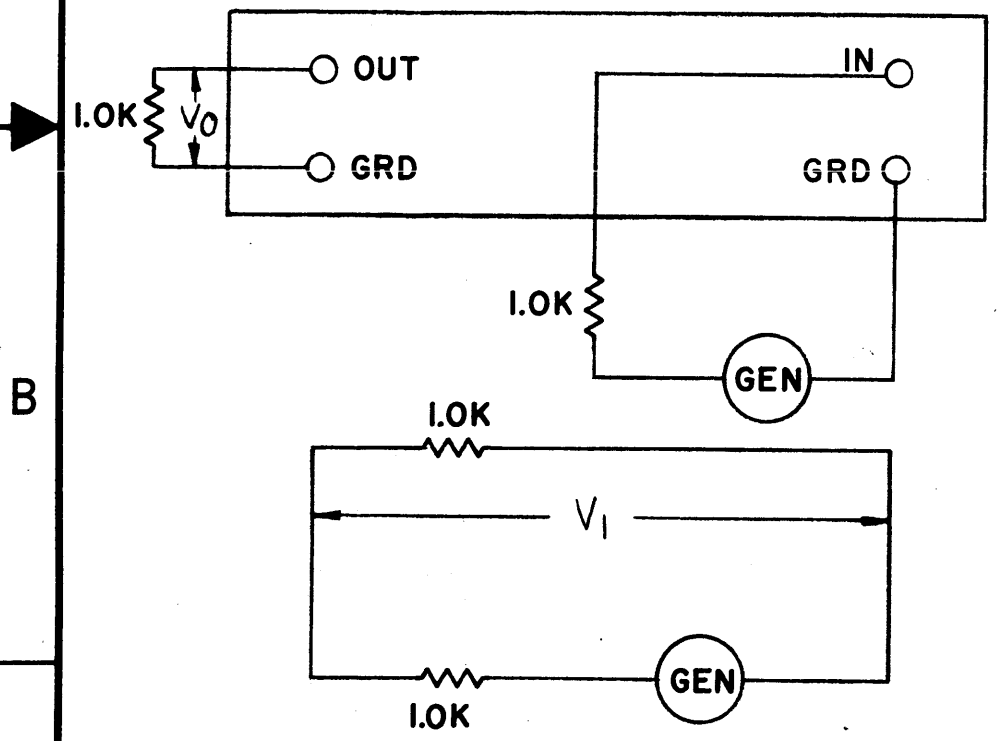
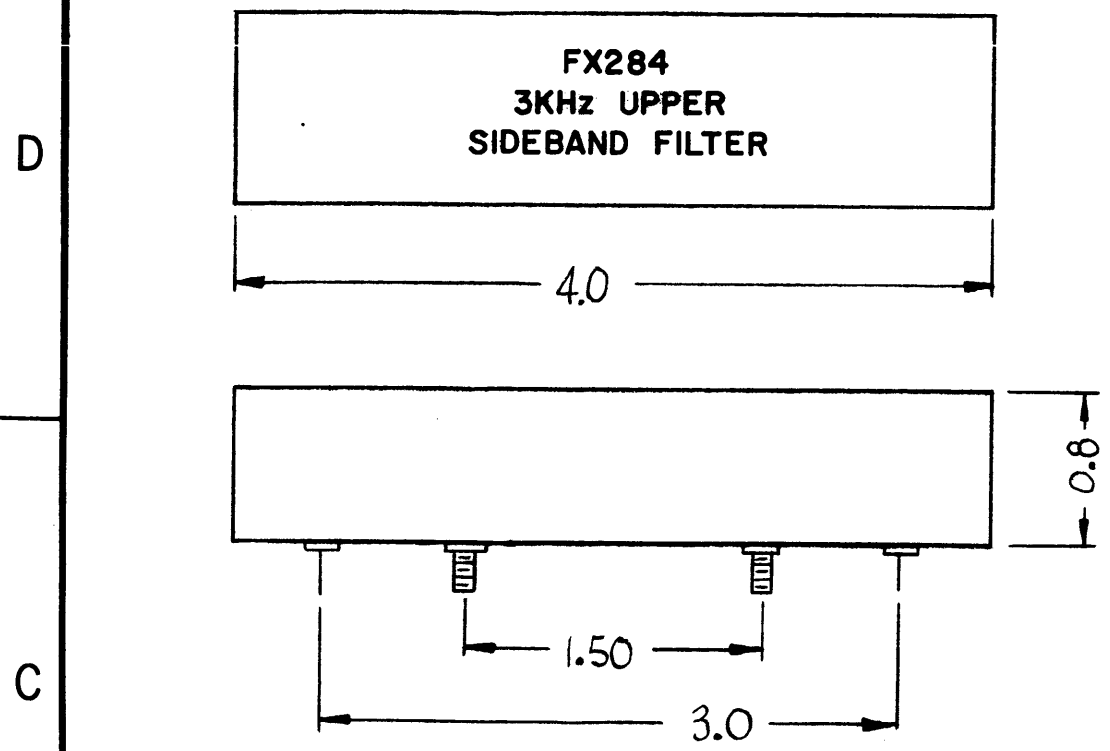
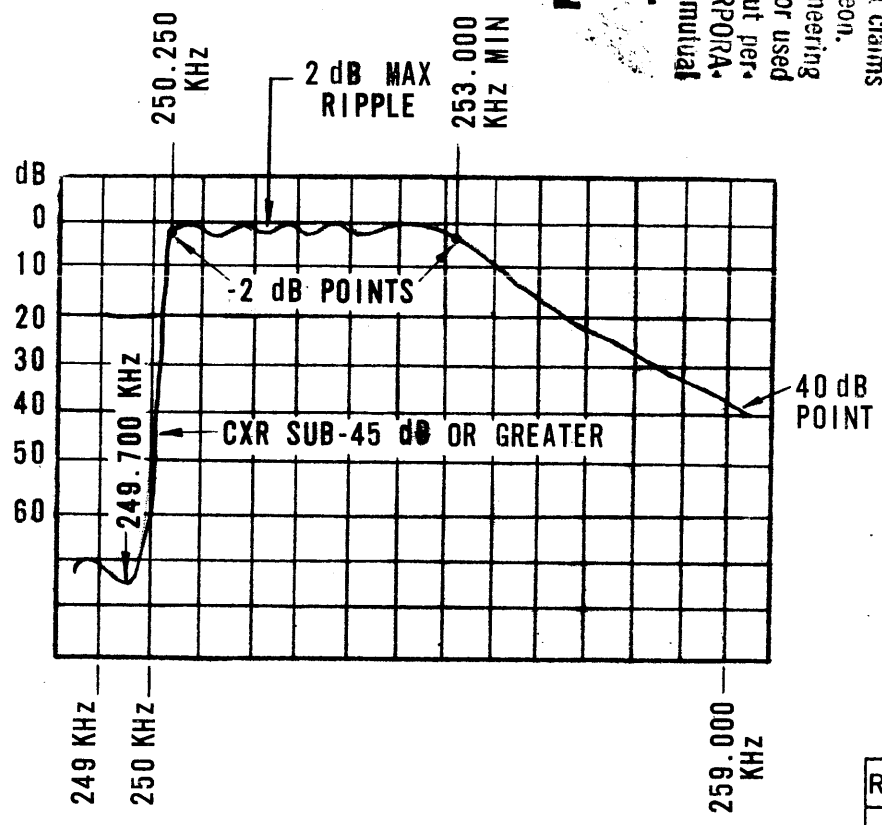
- CASE: STEEL, HERMETICALLY SEALED
- FINISH: BRUSHED NICKEL OR POWDER BLASTED BRIGHT NICKEL
- NOTE: TERMINAL END UNPAINTED
- MOUNTING: 4-40 X 1/4" STUDS (2 REQ)
- TERMINAL: DOUBLE END PIN TYPE, BRASS, SILVER PLATED, BEAD INS.

INSERTION (LOSS OR GAIN) $\pm(V_1 - V_0)$ IN dB

THE TECHNICAL MATERIEL CORPORATION
MAMARONECK, NEW YORK

PROPERTY OF:
THE TECHNICAL MATERIEL CORPORATION
MAMARONECK, NEW YORK

NOTICE TO PERSONS RECEIVING THIS DRAWING



QTY / UNIT	MODEL USED ON	ASS'Y NO.
1	MMX-()	A4524
APPLICATION		
CODE		
<p>NOTICE TO PERSONS RECEIVING THIS DRAWING THE TECHNICAL MATERIEL CORPORATION claims proprietary right in the material disclosed hereon. This drawing is issued in confidence for engineering information only and may not be reproduced or used to manufacture anything shown hereon without permission from THE TECHNICAL MATERIEL CORPORATION to the user. This drawing is loaned for mutual assistance and is subject to recall at any time.</p>		

UNLESS OTHERWISE SPECIFIED DIMENSIONS ARE IN INCHES AND INCLUDE CHEMICALLY APPLIED OR PLATED FINISHES		FINAL APPROVAL	
DECIMALS	FRACTIONS	DATE	DATE
.X ± .05	1/64		
.XX ± .01	TOLS. ANGLES	DATE	DATE
.XXX ± .005	0°-30'		
MATERIAL		ELECT. DES.	DATE
SEE SPECS			
FINISH		CHECKED	DATE
SEE SPECS			
		DRAWN	DATE

REQ'D	ITEM	PART NUMBER	DESCRIPTION	SYM.
O. POSE				
LIST OF MATERIAL				
THE TECHNICAL MATERIEL CORP. MAMARONECK, NEW YORK				
UPPER SIDEBAND FILTER BANDPASS 3KHZ				
SIZE	CODE IDENT. NO.	DWG NO.	ISSUE	
B	82679	FX284	Ø	
SCALE			SHEET	OF