

5

4

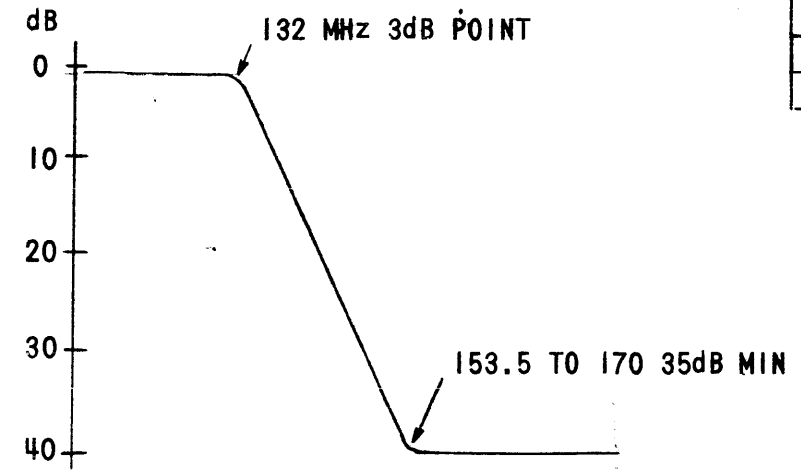
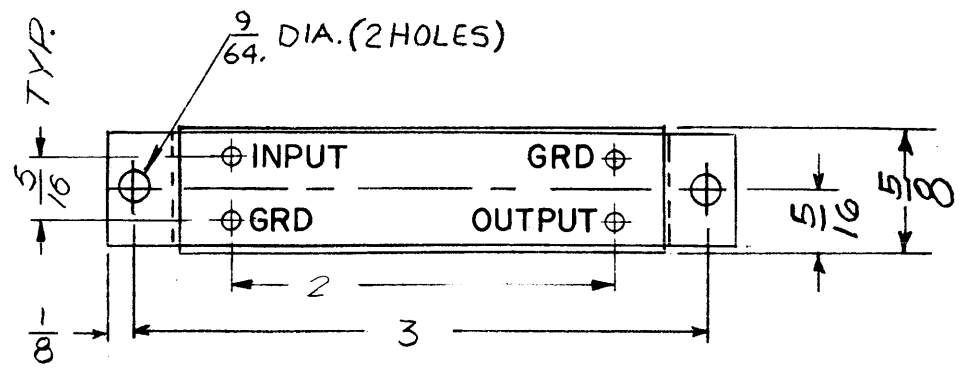
3

2

1

REVISIONS							
ZONE	LTR	DESCRIPTION	DATE	E.M.N.NO	DRAFT	CHKD	APPD
	X	EXP. RELEASE	12-15-67	+	HG		
	Ø	ORIG. REL. FOR PROD.	12-21-67	Ø	R.G.		
	A	ELEC. SPECS. UPDATED	2/7/68	18757	C.V.		
	B	REV & UPDATED	5-20-69	19436	GE		
	C	CHG. STD. SIZE & MODEL NO.	5-5-71	20320	RZ		

D



SPECIFICATIONS

ELECTRICAL

- TYPE: LOW PASS FILTER
- MAXIMUM RIPPLE: BETWEEN 100 TO 132 MHz 3dB
- INSERTION LOSS: 0.5 dB MAX
- INPUT AND OUTPUT IMPEDANCE: 50Ω UNBALANCED
- TEMPERATURE RANGE: 0 TO 55°C
- 3dB POINT: 132 MHz
- 35dB OR GREATER BETWEEN 153.5 MHz TO 170 MHz

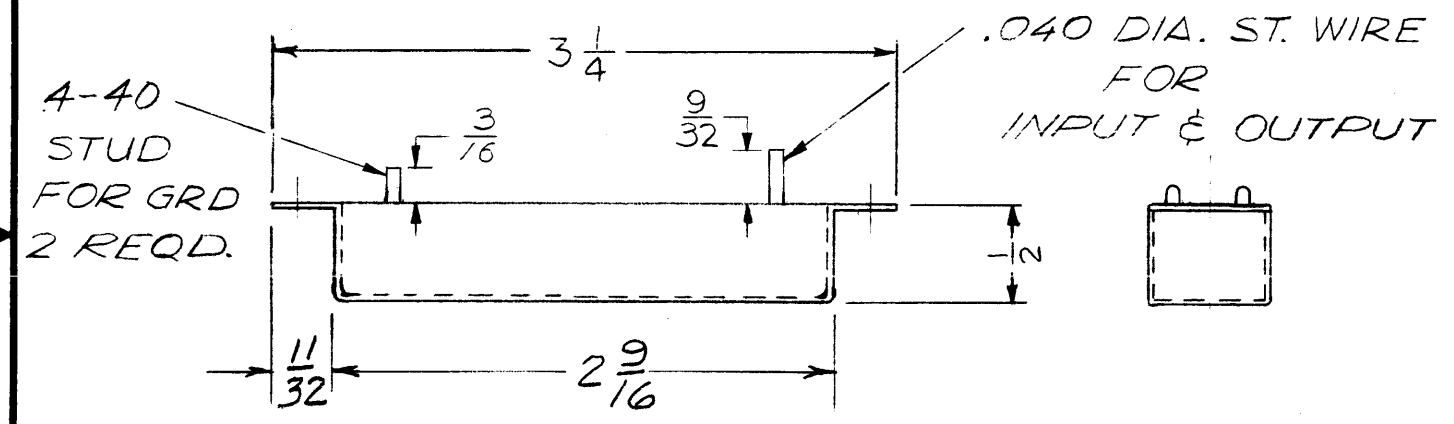
MECHANICAL

- CASE: STEEL HERMETICALLY SEALED
- FINISH: S115, SMOOTH GRAY ENAMEL
- MOUNTING: SEE DRAWING

MARKING PROCESS: AS PER TMC SPEC S727.

LETTERING: 1/8 HIGH BLACK GOTHIC, LOCATED AS SHOWN

C



B



A

NOTE: MOUNT WITH TE117-33 (2REQ.)

1	MMX (-)2	
QTY / UNIT	MODEL USED ON	ASS'Y NO.
APPLICATION		
	CODE	
	C	

NOTICE TO PERSONS RECEIVING THIS DRAWING
 THE TECHNICAL MATERIEL CORPORATION claims proprietary right in the material disclosed hereon. This drawing is issued in confidence for engineering information only and may not be reproduced or used to manufacture anything shown hereon without permission from THE TECHNICAL MATERIEL CORPORATION to the user. This drawing is loaned for mutual assistance and is subject to recall at any time.

UNLESS OTHERWISE SPECIFIED DIMENSIONS ARE IN INCHES AND INCLUDE CHEMICALLY APPLIED OR PLATED FINISHES

DECIMALS	FRACTIONS
.X ± .05	1/64
.XX ± .01	TOLS. ANGLES
.XXX ± .005	0° - 30'

MATERIAL
FINISH

REQ'D	ITEM	PART NUMBER	DESCRIPTION	SYM.
			O. POSE	
LIST OF MATERIAL				
THE TECHNICAL MATERIEL CORP. MAMARONECK, NEW YORK				
LOW PASS FILTER				
SIZE	CODE IDENT. NO.	DWG NO.	ISSUE	
B	82679	FX287	C	
SCALE	1:1	SHEET		OF

5

4

3

2

1