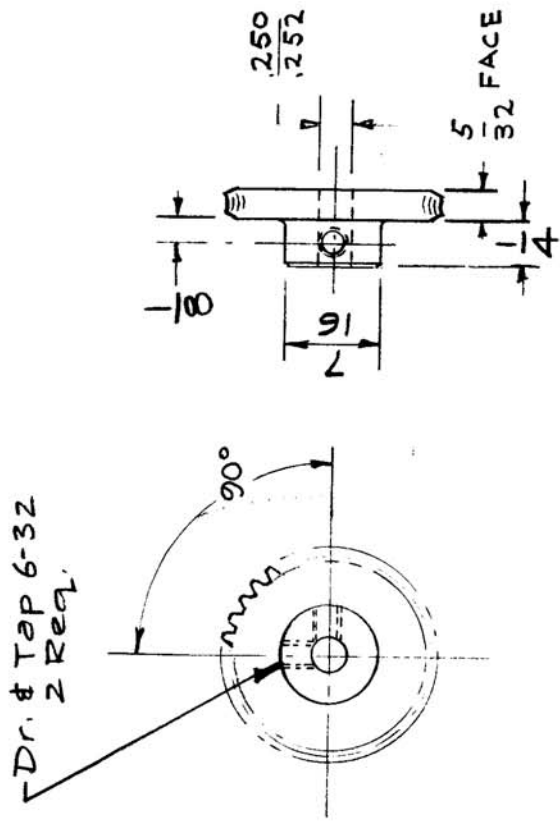


SPECS.

- HELIX ANGLE — 3°35'
- RAD. OF CURVATURE OF THROAT - 0.187
- OUTSIDE DIA. OF GEAR 0.677
- PITCH DIAM — 0.25
- PITCH — 48
- NO. OF TEETH — 30
- PRESSURE ANGLE — 14 1/2°
- THREADS — RIGHT HAND SINGLE TYPE



MATES WITH WORM - GR-137

ISSUE ITEM	CHANGED FROM	DATE			DRAFTS	CHECKER	ENG. APP.	PART NO.		DESCRIPTION		SYMBOL	
		4-3-64	10-24-61	10/16/59				9/21/59					
D 1	NICKEL PLATE 5-135 DELETED				A.M.	HJA	LB						
C 1	SPEC. CHART REVISED				514	PH	LS						
B 1	7/16 WAS 11/32, 1/4 WAS 3/16 1/8 WAS 3/32, Teeth Paper Added				1395.16	HJA	END						
A 1	FINISH ADDED				1309	HJA	END						
SCALE: S-401-15 (G1019 Mod)													
MAXIMUM ALLOWABLE TOLERANCES HAVE BEEN DETERMINED AND ANY DEVIATIONS WILL BE CAUSE FOR REJECTION. REMOVE ALL BURRS AND SHARP EDGES													
DEC. DIM. ±													
FRAC. DIM. ±	1/64												
ANGULAR DIM. ±													
TOLERANCES								MATERIAL		MATERIAL			
								BRONZE		THE TECHNICAL MATERIEL CORP. MAMARONECK, NEW YORK			
										GEAR, WORM WHEEL, .625 PD, RH			
										ATS-50(70)TU2			
								TYPE & TEMPER		DRAWN		FINAL APPR VAL	
								HEAT TREAT. SPEC.		CHECKED			
								FINISH & SPEC. NO.		ELEC. DES. APP. MECH. DES. APP.			
										GR-146		D	