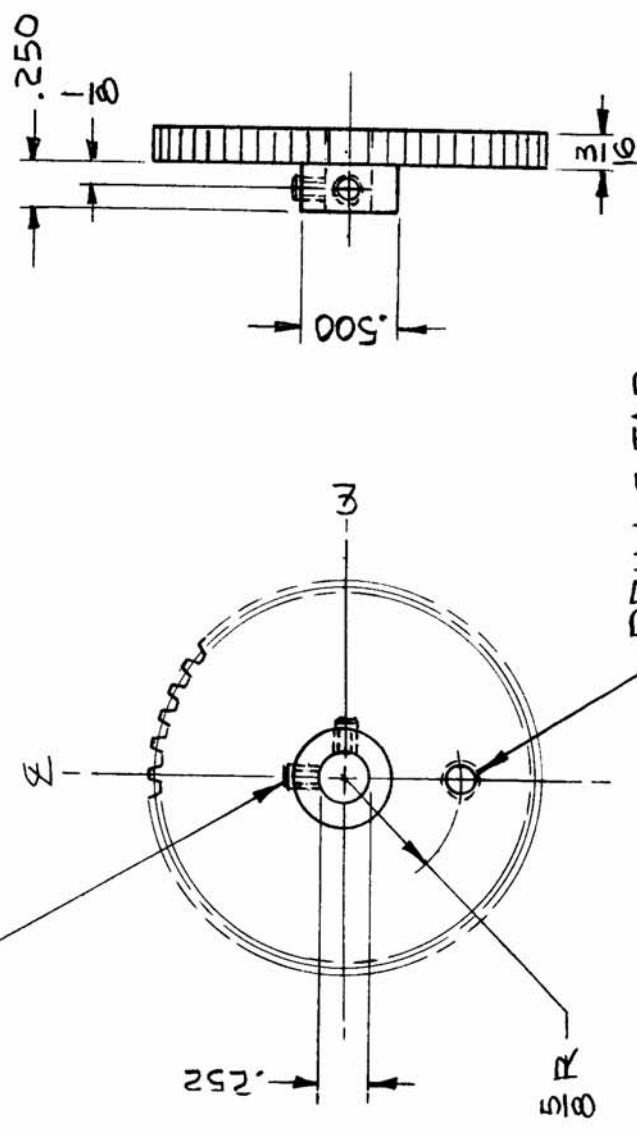


REQ. PER UNIT	USED ON	MODEL	DATE
1	ASS'Y. NO.	CHG-2A	8-9-63
		GR-201	

1 DRILL & TAP FOR #6-32 SETSCREW
90° APART, 2 REQ'D



PITCH DIA 2.000
 PITCH 48
 NO. OF TEETH 96
 HUB DIA .500
 HUB PROJ .250
 BORE .252
 FACE .187
 STYLE PLAIN
 PRESSURE 14 1/2°

REQ. ITEM	PART NO.	DESCRIPTION	SYMBOL
2	1 SLHCG32SS3	SETScrew	
		KEY	
		THE TECHNICAL MATERIEL CORP. MAMARONECK. NEW YORK	
		GEAR, DRIVE, BANDSWITCH	
		BRASS	
		1/2 H	
		MATERIAL	
		TYPE & TEMPER	
		HEAT TREAT. SPEC.	
		CHECKED	
		DRAWN	
		APPROVAL	
		FINISH & SPEC. NO.	GR-201
		ELEC. DES. APP.	
		MECH. DES. APP.	

UNLESS OTHERWISE SPECIFIED
 DIMENSIONS ARE IN INCHES AND INCLUDE
 CHEMICALLY APPLIED OR PLATED FINISHES

DECIMALS
 .X ± .05
 .XX ± .01
 .XXX ± .005

FRACTIONS
 ± 1/64
 ANGLES
 ± 0° 30'

TOLERANCES

SCALE 1/1

DATE

CH. NO.

DRAFTS

CHECKER

ENG. APP.

CODE