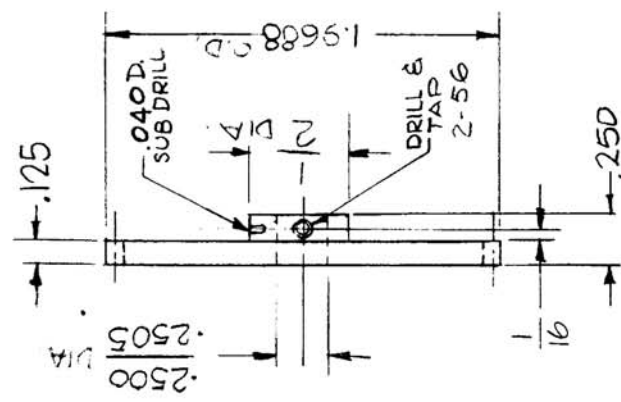
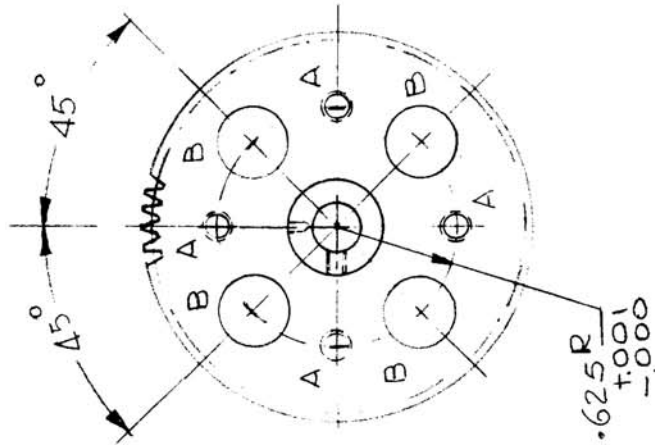


REQ. PART UNIT	1	USED ON	GR229
MODEL	TLAA-2.5K	ASSY. NO.	6-13-66
DATE	6-13-66		

HOLE	DESCRIPTION	REQ.
A	DRILL & TAP FOR G-3Z	4
B	3/8 DIA.	4



~ SPECIFICATIONS ~
 PITCH 64
 PITCH DIA. 1.9375
 O. D. 1.9698
 NO. TEETH 124
 PRESSURE ANGLE 20°
 FACE .125

NOTE:
 USED WITH PM1310

REQ. ITEM	PART NO.	DESCRIPTION	SYMBOL
SEE PICTORIAL		BUDETTI	
STAINLESS STEEL		THE TECHNICAL MATERIEL CORP. MAMARONECK. NEW YORK	
# 303		GEAR, SPUR	
TYPE & TEMPER	HEAT TREAT. SPEC.	DRAWN	CHECKED
S104 PASSIVATE		G.D.L.	6-13-66
FINISH & SPEC. NO.		ELEC. DES. APP. MECH. DES. APP.	
			GR229

SCALE 1:1
 CODE S401-194

UNLESS OTHERWISE SPECIFIED
 DIMENSIONS ARE IN INCHES AND INCLUDE
 CHEMICALLY APPLIED OR PLATED FINISHES

FRACTIONS ± 1/64
 ANGLES ± 0° 30'

TOLERANCES
 DECIMALS
 .X ± .05
 .XX ± .01
 .XXX ± .005