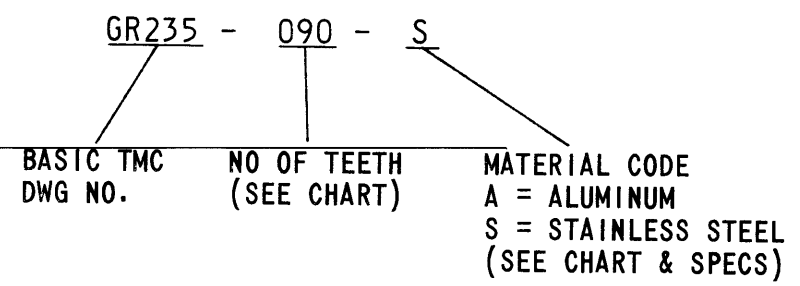


TMC CODE	NO. TEETH	P.D. +.000 -.001	P.D. +.000 -.002	ALUM GEARS CAT NO	STAINLESS GEARS CAT NO.
065	65	1.3541	1.396	P13-1-65	P16-1-65
070	70	1.4583	1.500	P13-1-70	P16-1-70
072	72	1.5000	1.542	P13-1-72	P16-1-72
075	75	1.5625	1.604	P13-1-75	P16-1-75
080	80	1.6667	1.708	P13-1-80	P16-1-80
084	84	1.7500	1.792	P13-1-84	P16-1-84
085	85	1.7708	1.812	P13-1-85	P16-1-85
090	90	1.8750	1.916	P13-1-90	P16-1-90
095	95	1.9791	2.021	P13-1-95	P16-1-95
096	96	2.0000	2.042	P13-1-96	P16-1-96
100	100	2.0833	2.125	P13-1-100	P16-1-100
105	105	2.1875	2.229	P13-1-105	P16-1-105
110	110	2.2916	2.333	P13-1-110	P16-1-110
115	115	2.3958	2.438	P13-1-115	P16-1-115
120	120	2.5000	2.541	P13-1-120	P16-1-120
125	125	2.6041	2.646	P13-1-125	P16-1-125
130	130	2.7083	2.750	P13-1-130	P16-1-130
132	132	2.7500	2.791	P13-1-132	P16-1-132

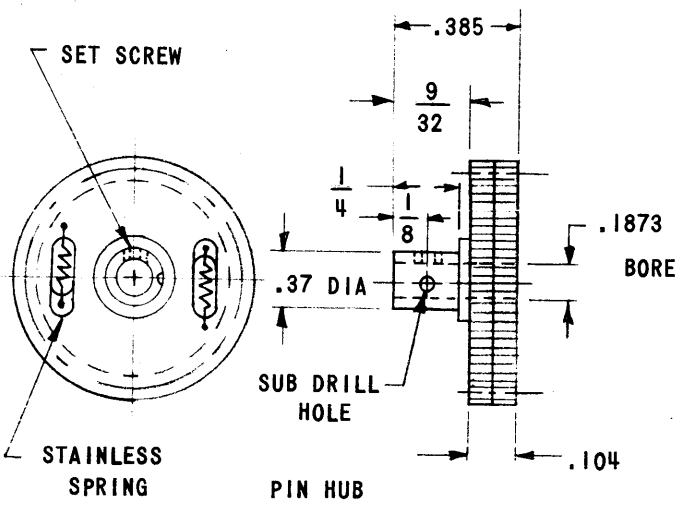
REVISIONS						
ZONE	LTR	DESCRIPTION	DATE	E.M.N.NO	DRAFT	CHKD APPD
	X	EXPERIMENTAL RELEASE	9/10/68		C.V.	<i>[Signature]</i>
	Ø	ORIG. RELEASE FOR PROD	9-24-68	Ø	R.G.	<i>[Signature]</i>

TMC PART NUMBER SHALL BE IN THE FOLLOWING FORMAT:



**SPECIFICATIONS**

PRESSURE  $\angle$  : 20°  
 CLASS OF GEAR: PRECISION I  
 TOTAL COMPOSITE ERROR: .001  
 TOOTH TO TOOTH COMPOSITE ERROR: .0004  
 MATERIAL & FINISH (GEARS)  
 ALUMINUM: 24ST, BLACK ANODIZED  
 STAINLESS STEEL: #303, CLEAR PASSIVATED  
 HUBS: #303, CLEAR PASSIVATED



QTY / UNIT	MODEL USED ON	ASS'Y NO.
	HFRR-4	
<b>APPLICATION</b>		
	CODE	S401-350
<p><b>NOTICE TO PERSONS RECEIVING THIS DRAWING</b>          THE TECHNICAL MATERIEL CORPORATION claims proprietary right in the material disclosed hereon. This drawing is issued in confidence for engineering information only and may not be reproduced or used to manufacture anything shown hereon without permission from THE TECHNICAL MATERIEL CORPORATION to the user. This drawing is loaned for mutual assistance and is subject to recall at any time.</p>		

REQ'D	ITEM	PART NUMBER	DESCRIPTION	SYM.
<b>LIST OF MATERIAL</b>				
<b>THE TECHNICAL MATERIEL CORP.</b> MAMARONECK, NEW YORK				
GEAR SPUR, ANTI-BACKLASH 4° PITCH, 3/16 BORE, .104 FACE				
SIZE	CODE IDENT. NO.	DWG NO.	GR 235	ISSUE
B	82679			Ø
SCALE		SHEET OF		