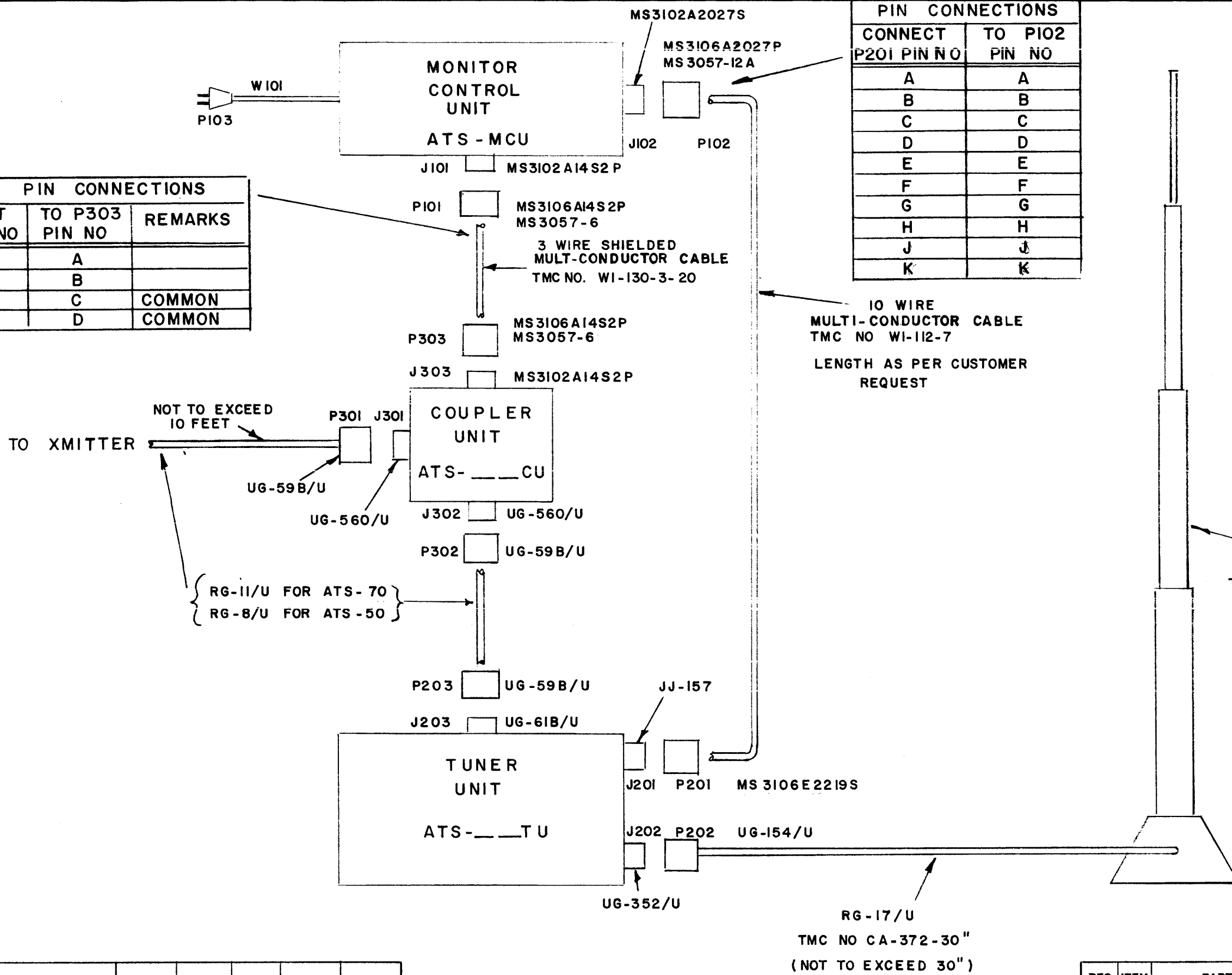


ID-215

CONNECT PIO1 PIN NO	TO P303 PIN NO	REMARKS
A	A	
B	B	
C	C	COMMON
D	D	COMMON

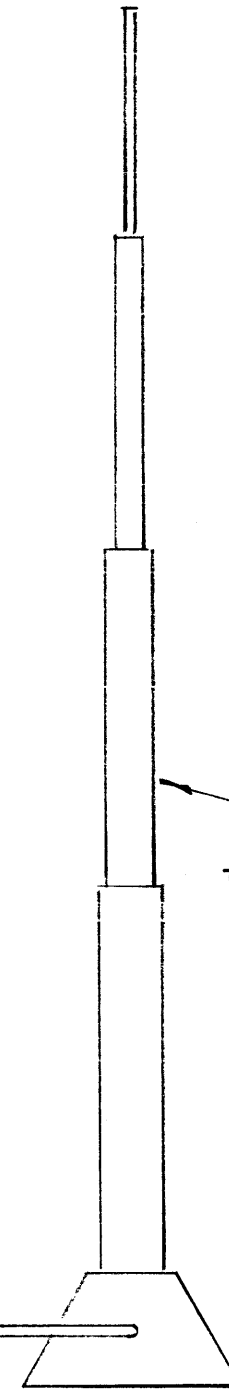
CONNECT P201 PIN NO	TO PIO2 PIN NO
A	A
B	B
C	C
D	D
E	E
F	F
G	G
H	H
J	J
K	K



**NOTICE TO PERSONS RECEIVING THIS DRAWING**

THE TECHNICAL MATERIEL CORPORATION claims proprietary right in the material disclosed herein. This drawing is issued in confidence for engineering information only and may not be reproduced or used to manufacture anything shown herein without permission from THE TECHNICAL MATERIEL CORPORATION to the user. This drawing is loaned for mutual assistance and is subject to recall at any time.

Property of:  
**THE TECHNICAL MATERIEL CORPORATION**  
MAMARONECK, NEW YORK



**NOTE:**  
ANTENNA NOT SUPPLIED WITH ATS SYSTEM.

ISSUE	ITEM	CHANGED FROM	DATE	CH. NO.	DRAFTS	CHECKER	ENG. APP.
TOLERANCES			SCALE:				
DEC. DIM. ±			MAXIMUM ALLOWABLE TOLERANCES HAVE BEEN DETERMINED AND ANY DEVIATIONS WILL BE CAUSE FOR REJECTION.				
FRAC. DIM. ±			REMOVE ALL BURRS AND SHARP EDGES				
ANGULAR DIM. ±							

REQ. PER UNIT	ATS	PROJECT NO.	ASS'Y. NO.	DATE
	MODEL			4-9-58
USED ON				

REQ. ITEM	PART NO.	DESCRIPTION	SYMBOL
<b>THE TECHNICAL MATERIEL CORP.</b> MAMARONECK, NEW YORK			
STOCK SIZE			
INTERCONNECT DIAGRAM			
ATS SYSTEM			
MATERIAL			
TYPE & TEMPER	HEAT TREAT. SPEC.	DRAWN	CHECKED
		<i>[Signature]</i>	<i>[Signature]</i>
FINISH & SPEC. NO.	ELEC. DES. APP.	MECH. DES. APP.	FINAL APPROVAL
			<i>[Signature]</i>

ID-215