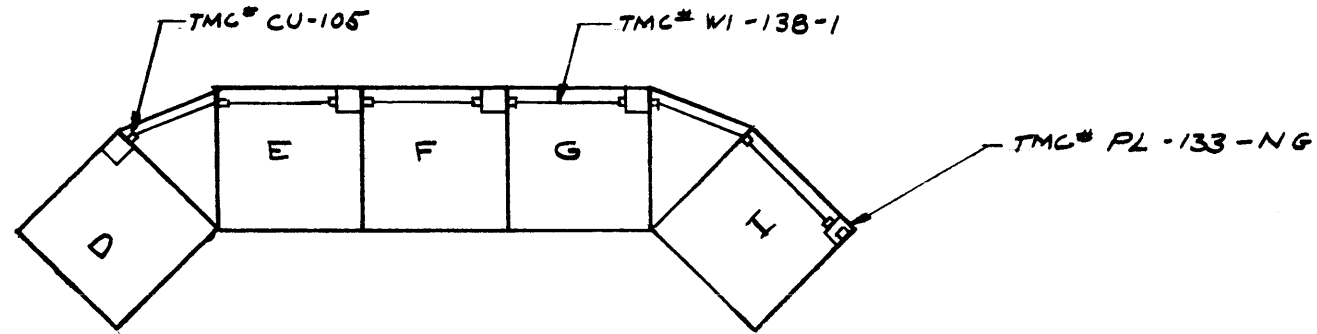
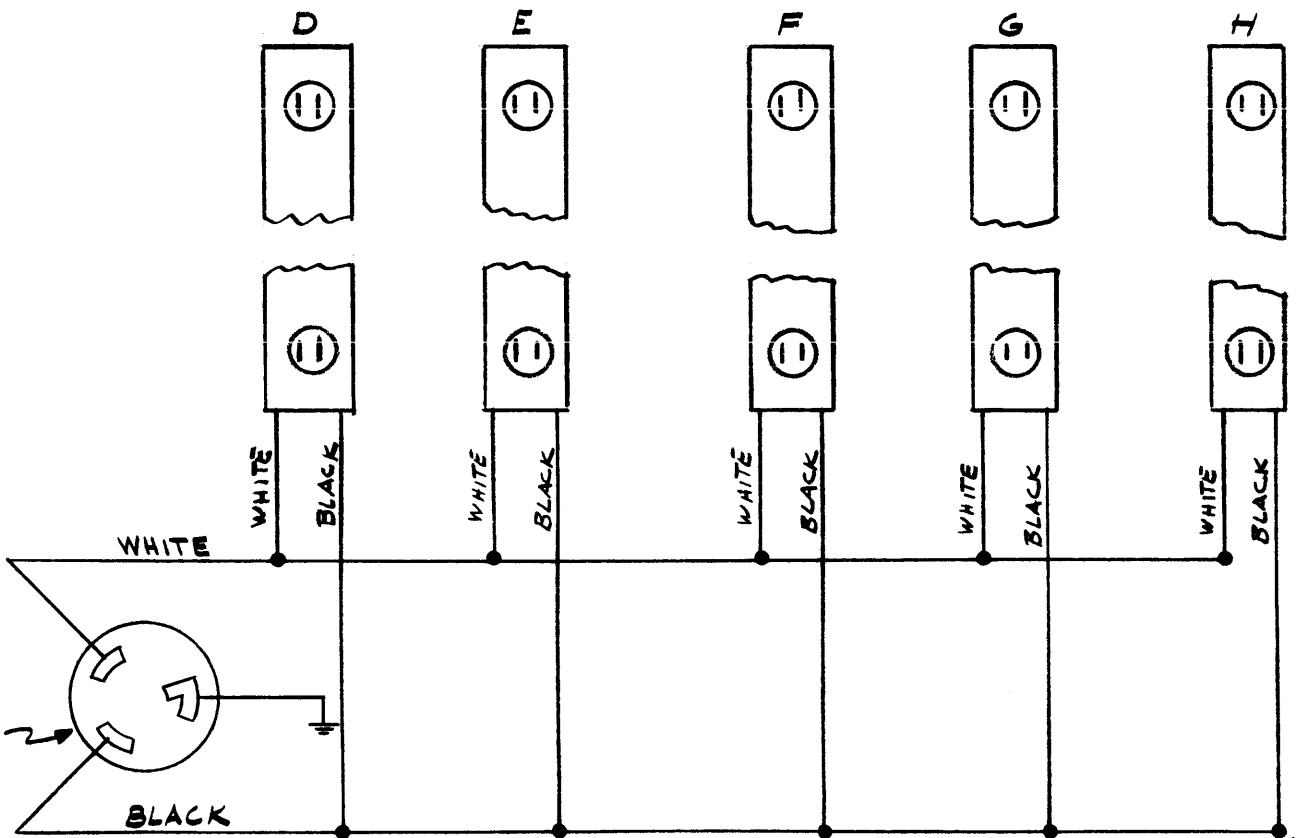


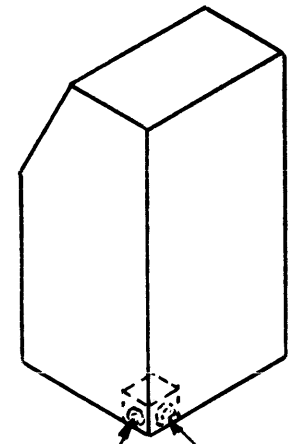
ID-255



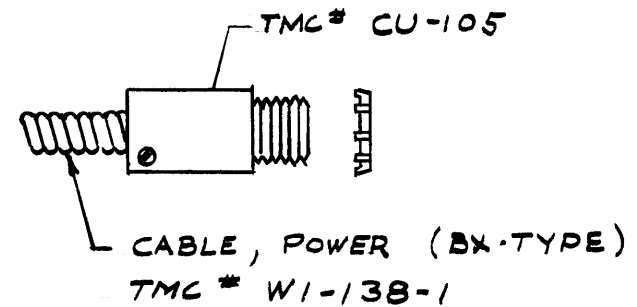
AC OUTLET STRIPS



NT 121-76 B
10 REQ'D



KNOCK OUT TO ACCOMODATE TMC# CU-105
KNOCK OUT TO ACCOMODATE PL-133 NG



PROPERTY OF PERSONS RECEIVING THIS DRAWING
THE TECHNICAL MATERIEL CORPORATION
MAMARONECK, NEW YORK

THE TECHNICAL MATERIEL CORPORATION
MAMARONECK, NEW YORK

SYM	DESCRIPTION	DATE	CH. NO.	DRAFTS	CHECKER	ENG. APP.
	UNLESS OTHERWISE SPECIFIED: DIMENSIONS ARE IN INCHES TOLERANCES ON FRACTIONS ± 1/64 DECIMALS ± .05 ANGLES ± 1/2°					

SCALE:
MAXIMUM ALLOWABLE TOLERANCES HAVE BEEN DETERMINED AND ANY DEVIATIONS WILL BE CAUSE FOR REJECTION.
REMOVE ALL BURRS AND SHARP EDGES

REQ. PER UNIT	MODEL	SECTION	ASS'Y. NO.	DATE
	SYM - 1023	DE, F, G, H		3-1-61
USED ON				

REQ. ITEM	PART NO.	DESCRIPTION	SYMBOL
THE TECHNICAL MATERIEL CORP. MAMARONECK, NEW YORK			
CONSOLE AC WIRING INSTALLATION (SYM - 1023)			
		<i>DRILLO</i>	<i>JCB</i>
TYPE & TEMPER	HEAT TREAT. SPEC.	DRAWN	CHECKER
		<i>NE</i>	
FINISH & SPEC. NO.		ELEC. DES. APP.	MECH. DES. APP.
			ID-255