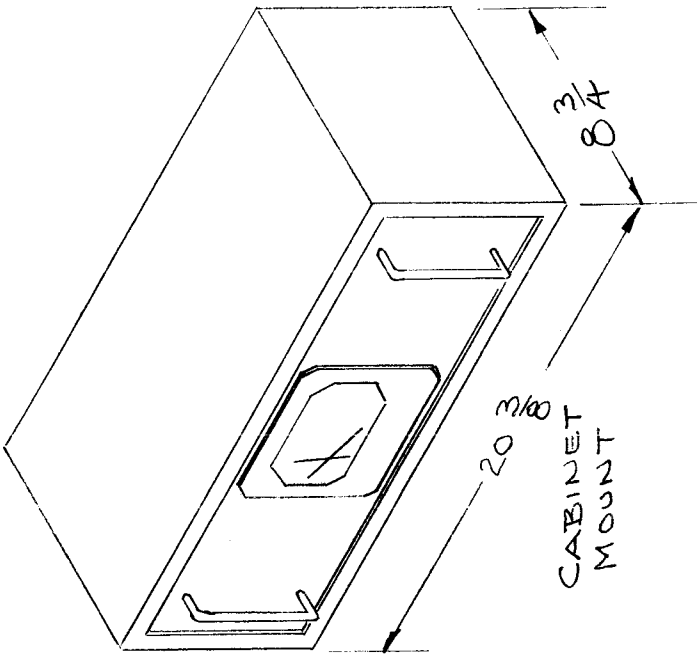
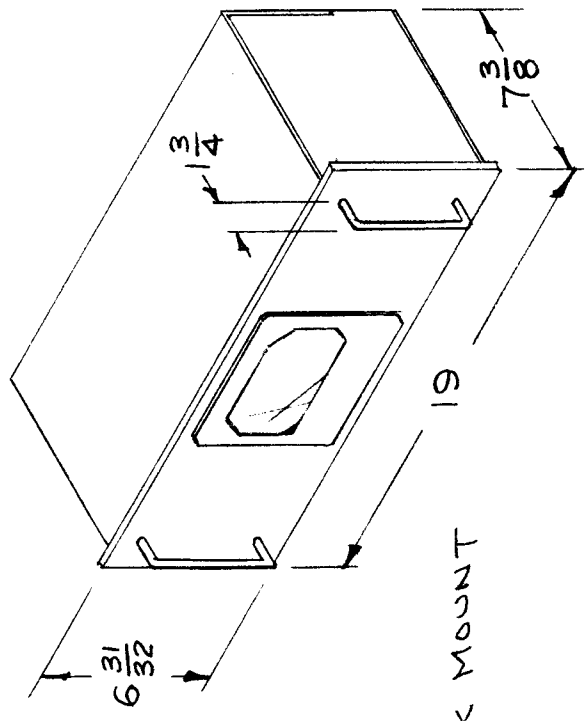


REQ. PER UNIT	USED ON	MODEL	DATE
1	ASSY. NO.	ATS-MCU	3-25-58
1		ATS-MCU-2	7-8-59

ID-213



CABINET MOUNT



RACK MOUNT

REQ. ITEM	PART NO.	DESCRIPTION	SYMBOL
		THE TECHNICAL MATERIEL CORP. MAMARONECK. NEW YORK	
		DIMENSIONAL OUTLINE	
		ATS-MCU	
		STOCK SIZE	
		MATERIAL	
		TYPE & TEMPER	
		HEAT TREAT. SPEC.	
		DRAWN	6/25/58
		CHECKED	AND
		FINISH & SPEC. NO.	ID-213
		ELEC. DES. APP. MECH. DES. APP.	
		FINAL APPROVAL	JSR

TOLERANCES  
 DEC. DIM. ±  
 FRAC. DIM. ±  
 ANGULAR DIM. ±

SCALE:  
 MAXIMUM ALLOWABLE TOLERANCES HAVE BEEN DETERMINED AND ANY DEVIATIONS WILL BE CAUSE FOR REJECTION.  
 REMOVE ALL BURRS AND SHARP EDGES