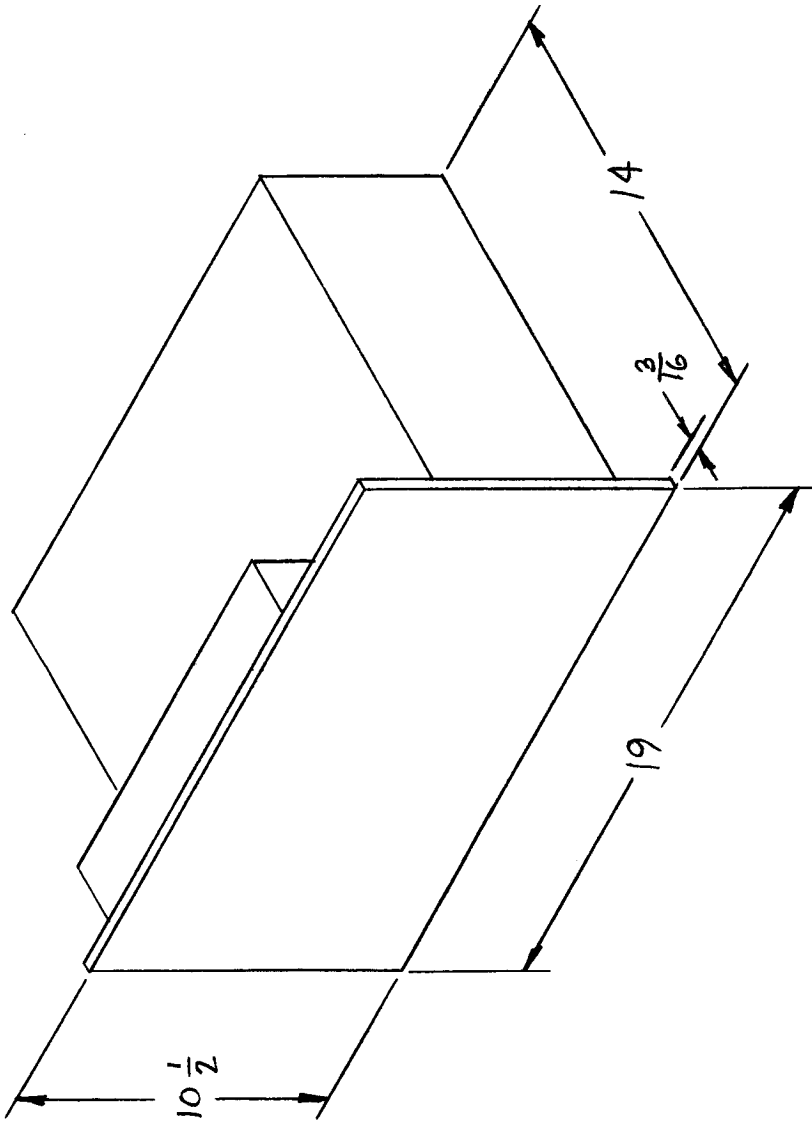


REQ. PER UNIT		USED ON		ID-204	Ø
MODEL	ASS'Y. NO.	DATE			



REQ. ITEM	PART NO.	DESCRIPTION	SYMBOL
		THE TECHNICAL MATERIEL CORP. MAMARONECK, NEW YORK	
		DIMENSIONAL OUTLINE DRAWING	
		MODEL GPR-90RX	
		MJT 11-12-58	
		DRAWN	CHECKED
		HEAT TREAT. SPEC.	FINAL APPROVAL
		FINISH & SPEC. NO.	ID-204
		ELEC. DES. APP.	
		MECH. DES. APP.	

9/2/58	Ø								
11/7/58									
DATE	CH. NO.	DRAFTS	CHECKER	ENG. APP.					
TOLERANCES									
MAXIMUM ALLOWABLE TOLERANCES HAVE BEEN DETERMINED AND ANY DEVIATIONS WILL BE CAUSE FOR REJECTION. REMOVE ALL BURRS AND SHARP EDGES									
DEC. DIM. ±									
FRAC. DIM. ±									
ANGULAR DIM. ±									