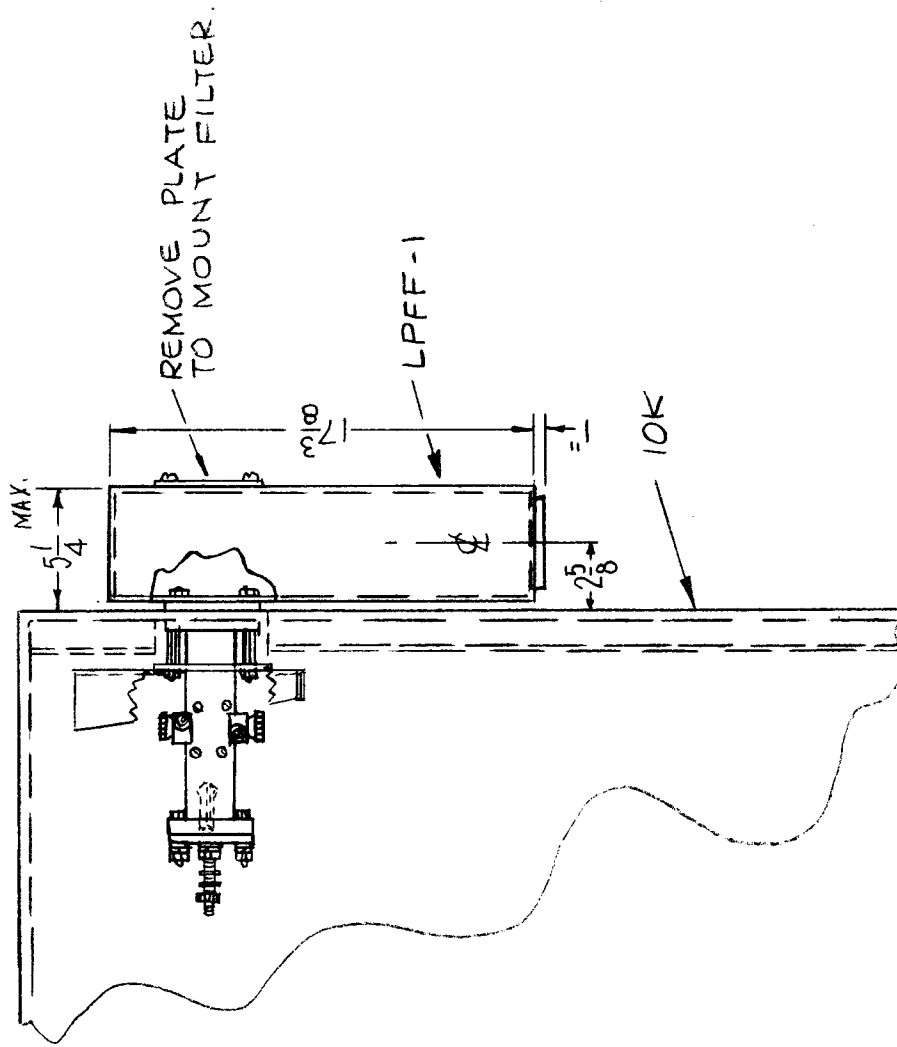


REQ. PER UNIT 1	USED ON		DATE	SYMBOL
	MODEL	ASSY. NO.		
1	LPFA-10K		9-16-66	ID359
Ø				



REQ. ITEM	PART NO.	DESCRIPTION	SYMBOL
		F. BUDETTI	
		THE TECHNICAL MATERIEL CORP. MAMARONECK. NEW YORK	
		INSTALLATION DRAWING	
		CHECKED	FINAL APPROVAL
		DRAWN	
		ELEC. DES. APP.	Mech. Des. App.
		FINISH & SPEC. NO.	ID359
		Ø	Ø
		STOCK SIZE	
		MATERIAL	
		TYPE & TEMPER	HEAT TREAT. SPEC.
		DATE	CH. NO.
		9/16/67	Ø CV
		9/16/66	X
		DATE	CHECKER
			ENG. APP.
		SCALE	
		DESCRIPTION	
		UNLESS OTHERWISE SPECIFIED	
		DIMENSIONS ARE IN INCHES AND INCLUDE	
		CHEMICALLY APPLIED OR PLATED FINISHES	
		TOLERANCES	
		FRACTIONS	± 1/64
		DECIMALS	± .005
		ANGLES	± 0° 30'
			± .005