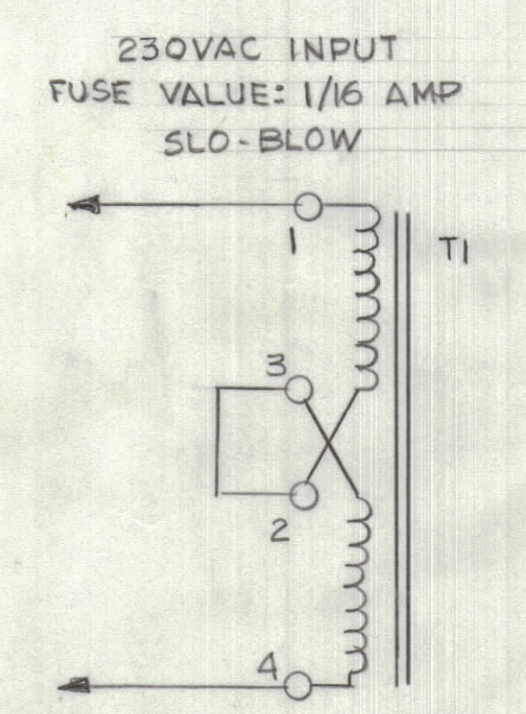
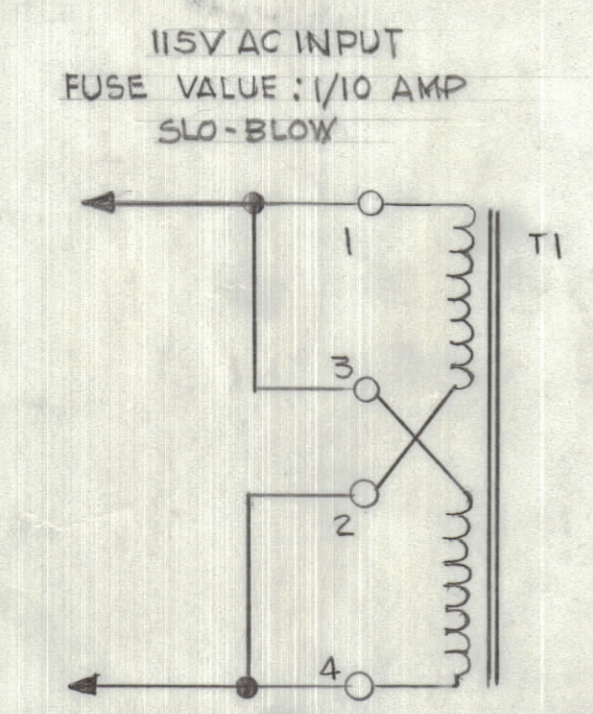
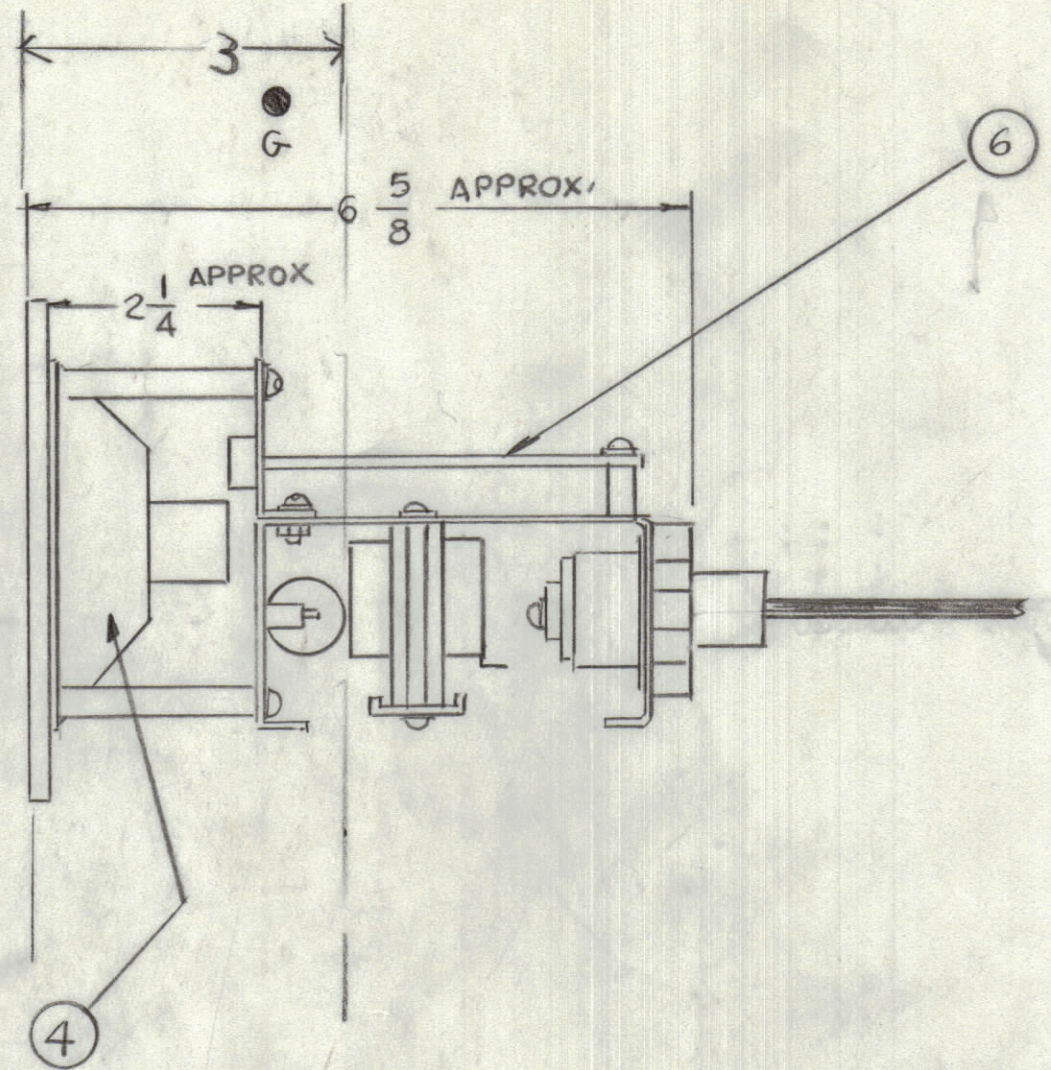
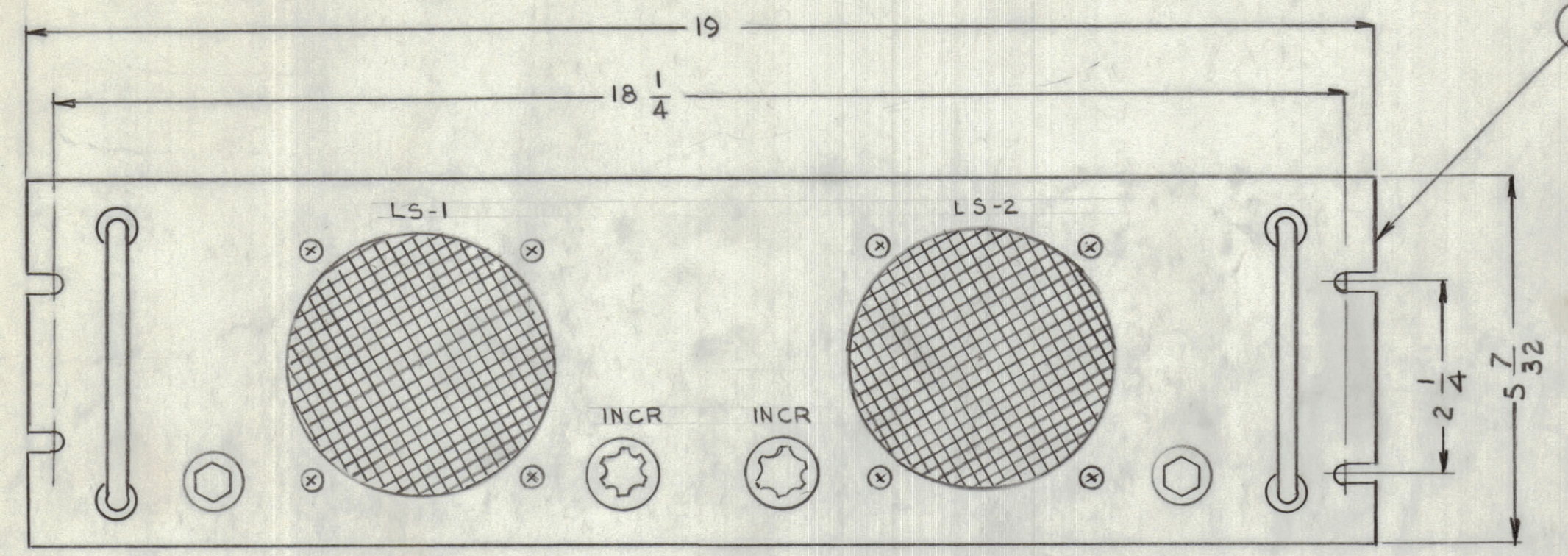
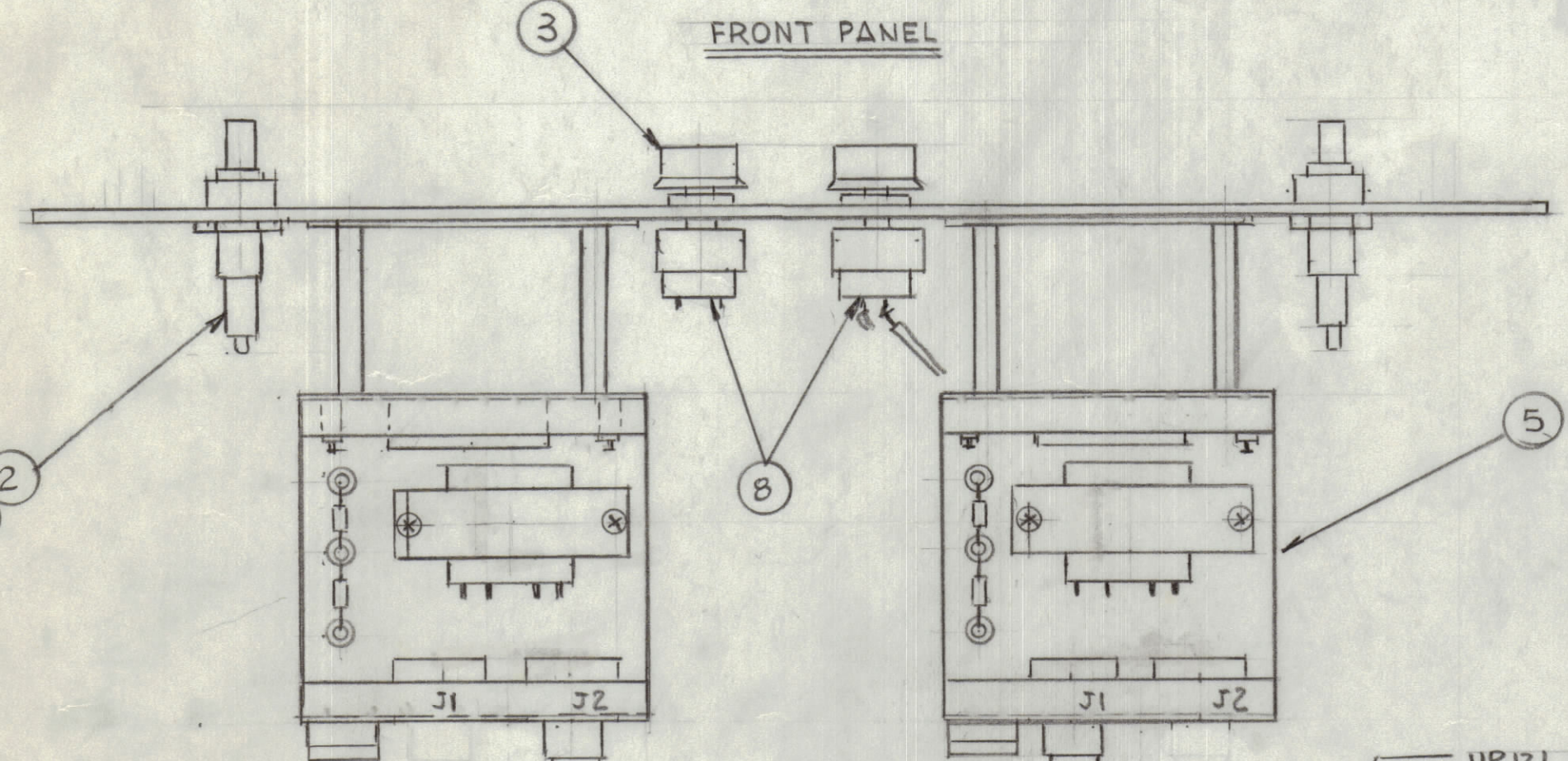


REVISIONS					
E.M.N.O	DRAFT	CHKD	ZONE	LTR	
6DL					
DESCRIPTION				DATE	APPROVED
ORIGINAL RELEASE FOR PRODUCTION				1-11-63	

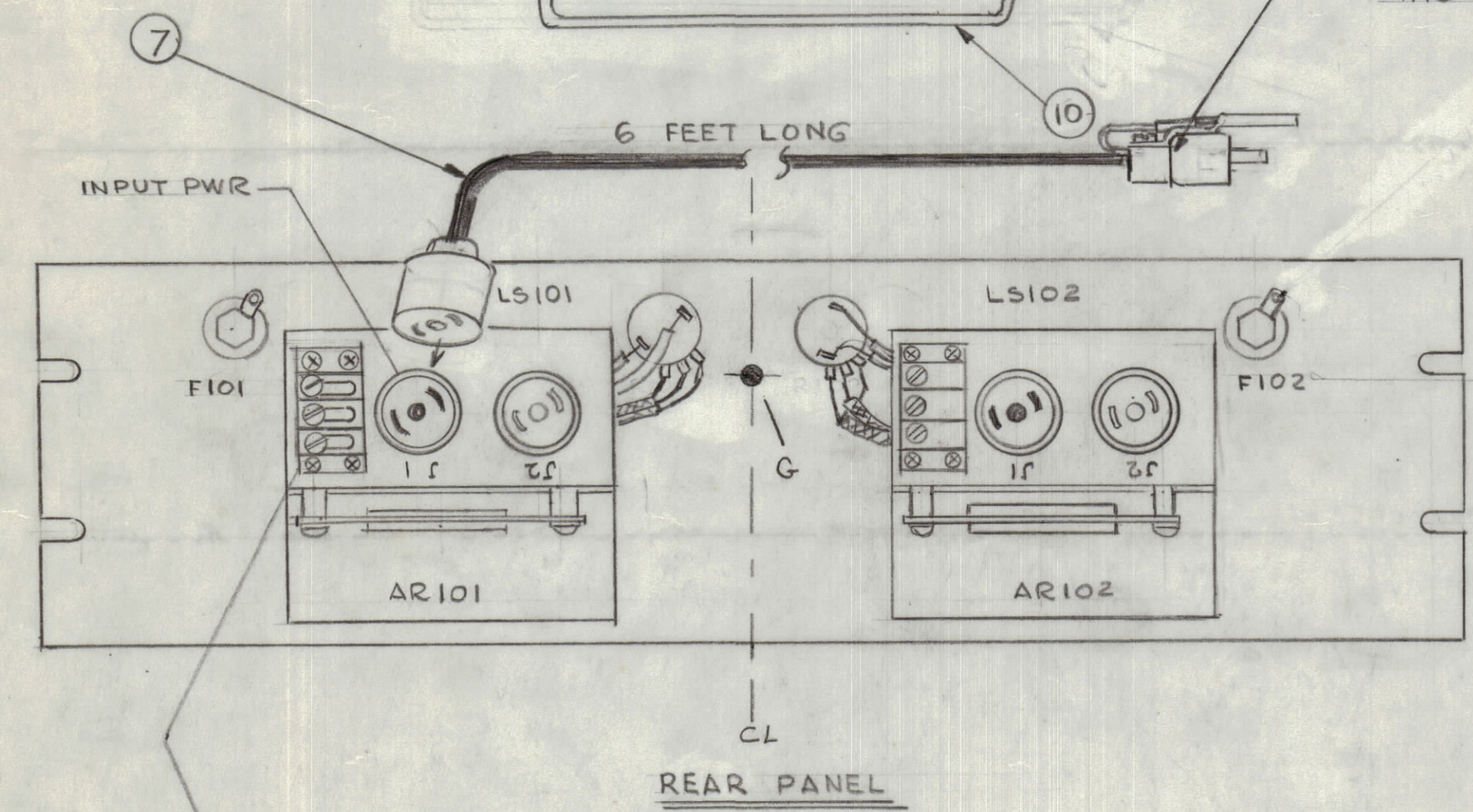


POWER SUPPLY CHANGE OVER CONNECTIONS

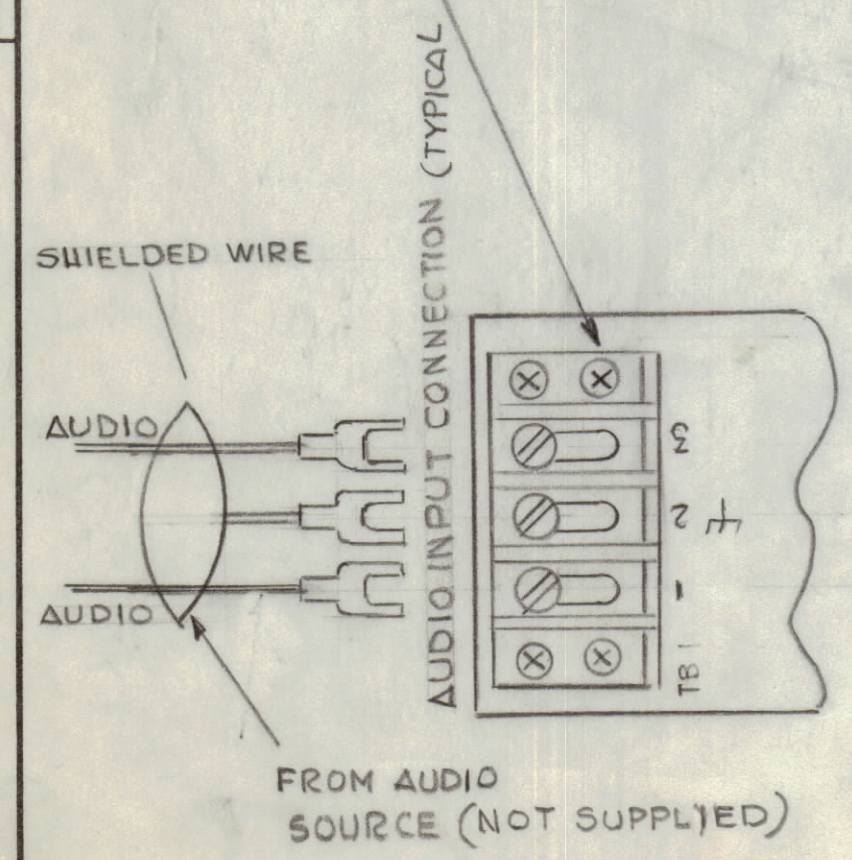


UP121 MIL-C-3767/4
TMC P/NO. PL 218

USE SHRINKABLE TUBING
ON ALL EXPOSED CONNECTIONS



INSTALLED WEIGHT
= 7 POUNDS



QTY. REQ.	ITEM	PART NO. TMC	DESCRIPTION	SYMBOL
1	10	CA 884-4	CABLE AC JUMPER	
2	9	FU 100-1	FUSE	
2	8	RV4NBYS03A	VAR. RESISTOR	
1	7	CA 1106-61	PWR BOARD	
2	6	A3699	PC BOARD ASSY...	
2	5	AZ-102	ASSY. AUDIO	
2	4	LS 102	SPEAKER	
2	3	MP 127-1	KNOB	
2	2	FH 104-3	FUSE HOLDER	
1	1	MS3067 /LD 1175	FRONT PANEL	

LIST OF MATERIAL

THE TECHNICAL MATERIEL CORP.
MAMARONECK, NEW YORK

**BSP-2D INSTALLATION
DIAGRAM**

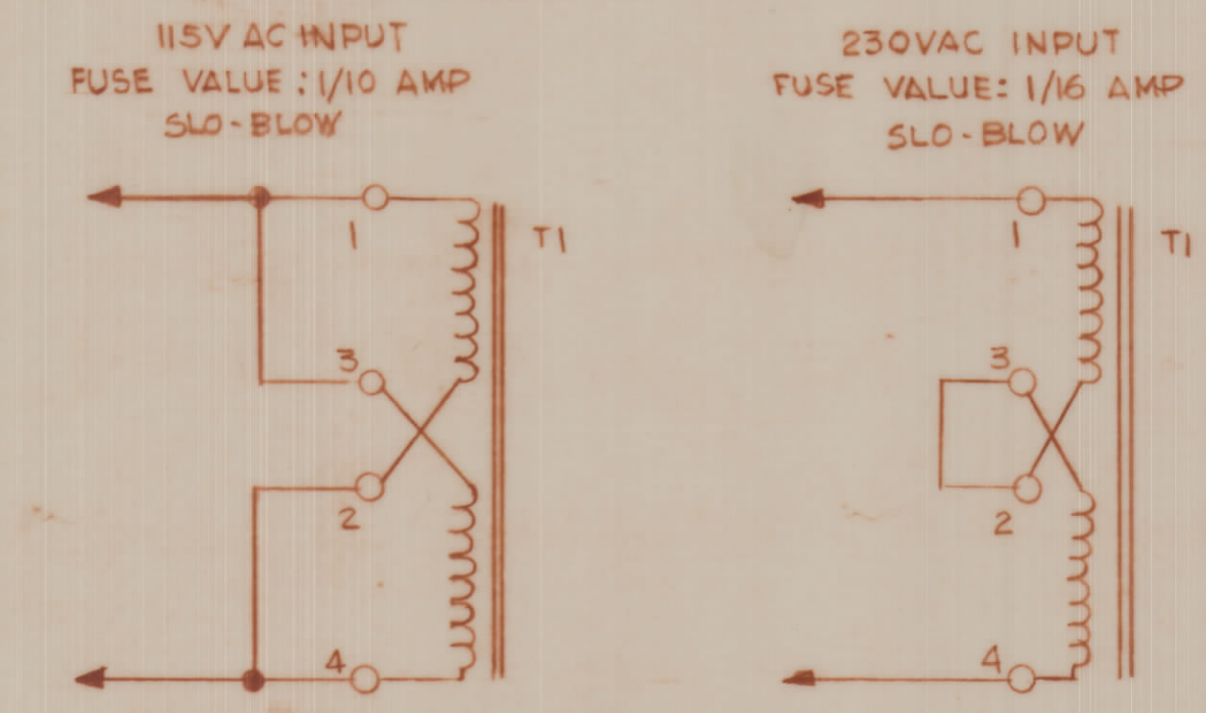
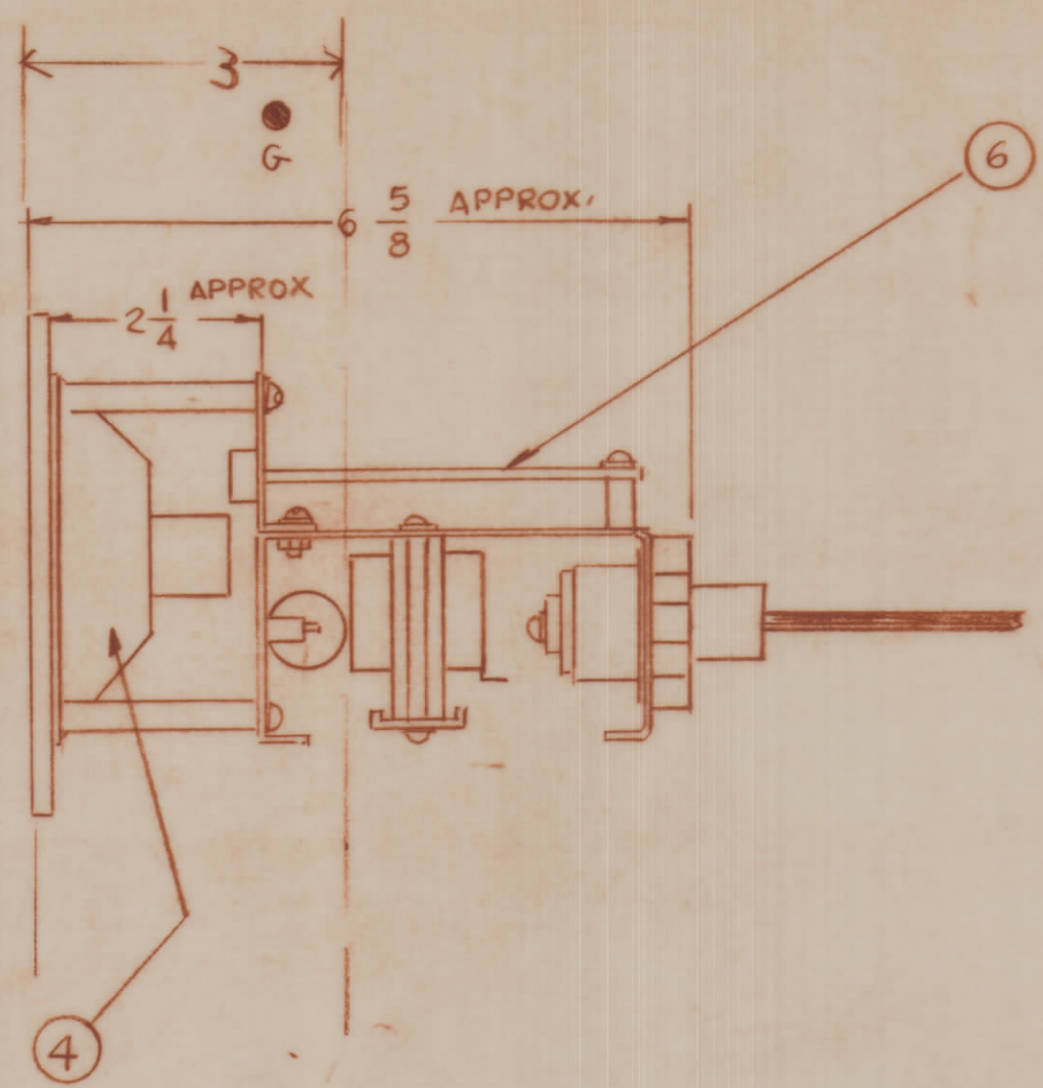
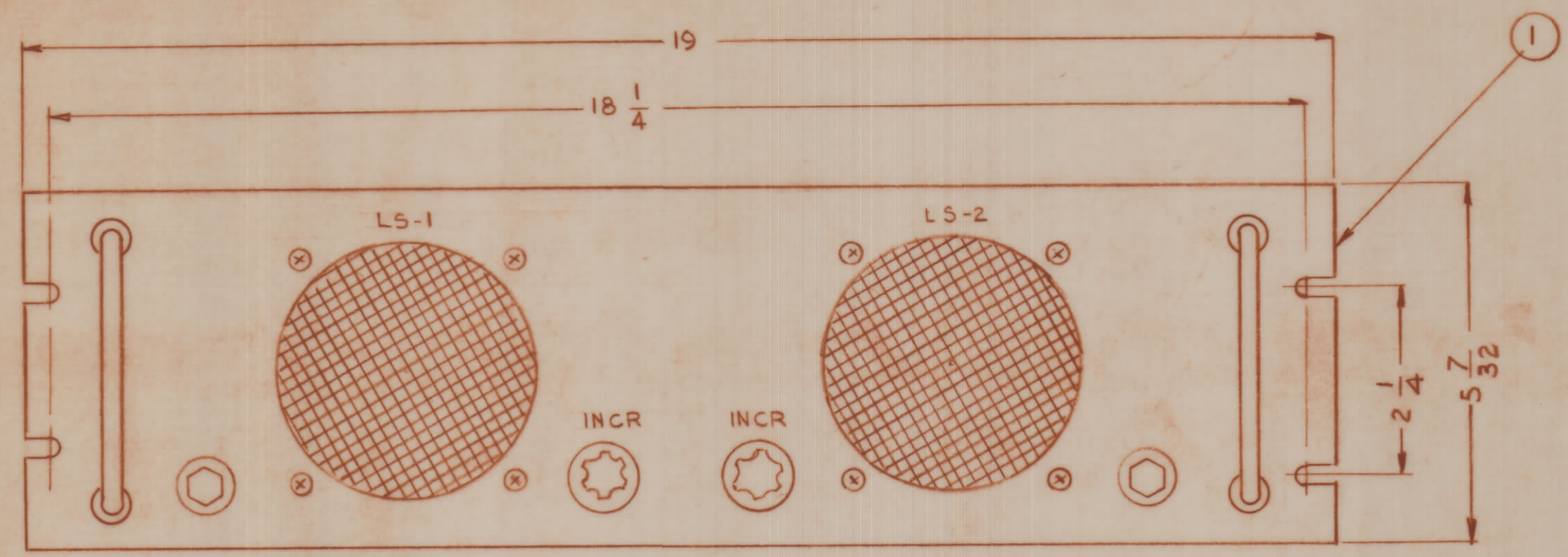
BSP-2D		
QTY / UNIT	MODEL USED ON	ASS'Y NO.
APPLICATION		
CODE		

UNLESS OTHERWISE SPECIFIED DIMENSIONS ARE IN INCHES AND INCLUDE CHEMICALLY APPLIED OR PLATED FINISHES	
TOLERANCES ON	FRACTIONS
DECIMALS	± 1/64
.X ± .05	ANGLES
.XX ± .01	± 0° -30'
.XXX ± .005	

NOTICE TO PERSONS RECEIVING THIS DRAWING
THE TECHNICAL MATERIEL CORPORATION claims proprietary right in the material disclosed hereon. This drawing is issued in confidence for engineering information only and may not be reproduced or used to manufacture anything shown hereon without permission from THE TECHNICAL MATERIEL CORPORATION to the user. This drawing is loaned for mutual assistance and is subject to recall at any time.

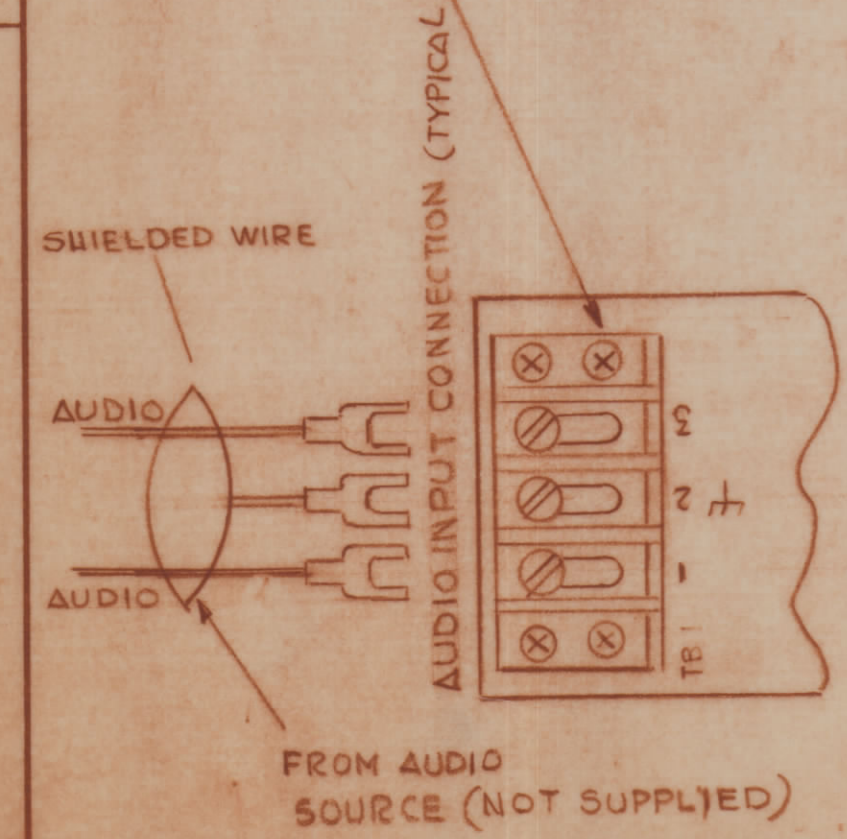
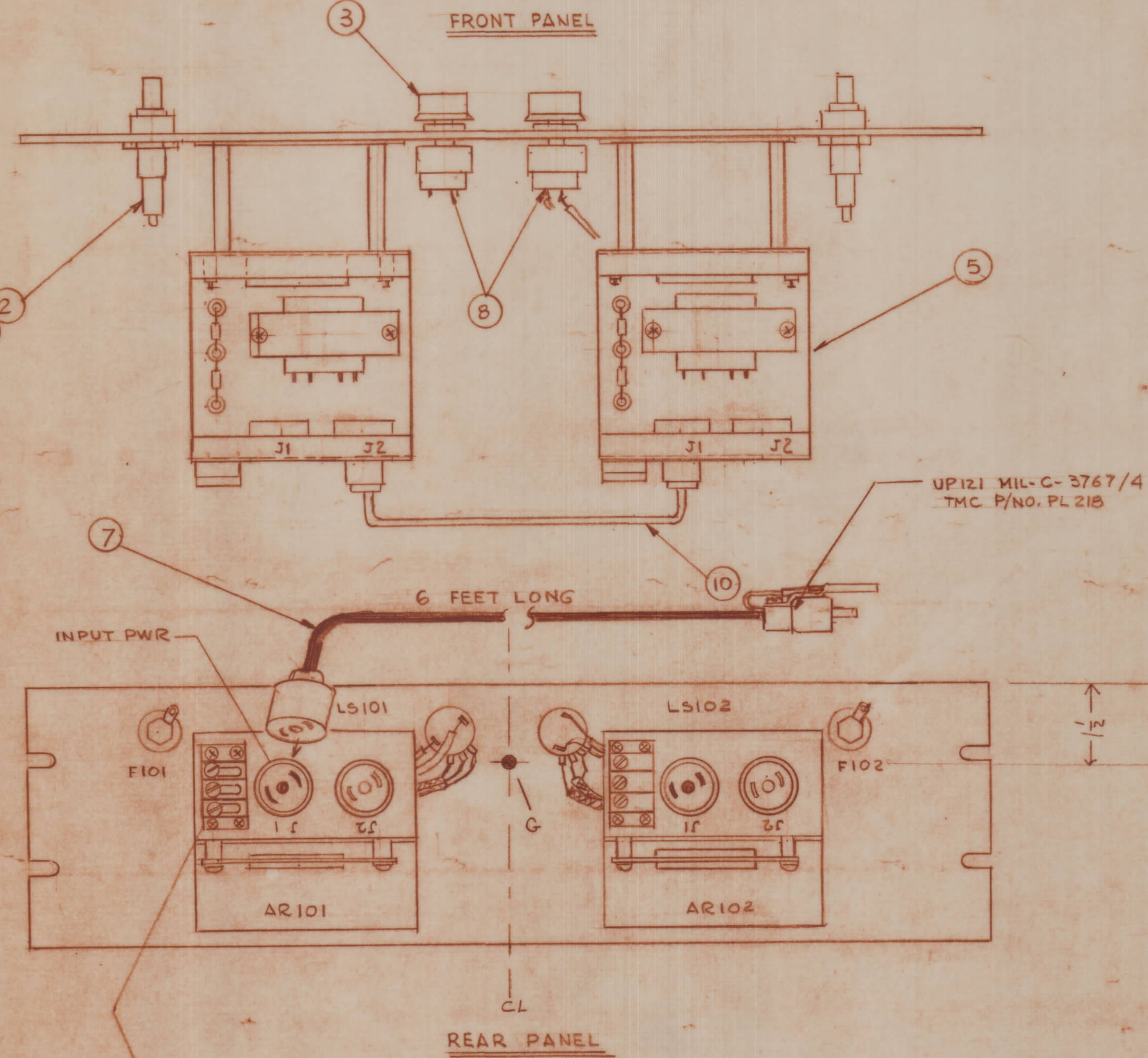
MATERIAL	FINISH	FINAL APPROVAL	DATE	LIST OF MATERIAL	
		<i>GD</i>	10/30/80	THE TECHNICAL MATERIEL CORP. MAMARONECK, NEW YORK	
		CHECKED	DATE	BSP-2D INSTALLATION DIAGRAM	
		DRAWN	DATE	SIZE	CODE/IDENT NO./DWG NO.
		<i>G. De Lucia</i>	10-20-80	D	82679
				SCALE	1/2
					SHEET OF

REVISIONS							
E.M.N.O.	DRAFT	CHKD	ZONE	LTR	DESCRIPTION	DATE	APPROVED
					ORIGINAL RELEASE FOR PRODUCTION	1-11-83	



POWER SUPPLY CHANGE OVER CONNECTIONS

INSTALLED WEIGHT
= 7 POUNDS



QTY. REQ.	ITEM	PART NO. TMC	DESCRIPTION	SYMBOL
1	10	CA 884-4	CABLE AC JUMPER	
2	9	FU 100-1	FUSE	
2	8	RV4NBYSD503A	VAR. RESISTOR	
1	7	CA1196-6'	PWR COARD	
2	6	A3699	PC BOARD ASSY	
2	5	AZ-102	ASSY. AUDIO	
2	4	LS 102	SPEAKER	
2	3	MP 127-1	KNOB	
2	2	FH 104-3	FUSE HOLDER	
1	1	MS3067 /LD1175	FRONT PANEL	

THE TECHNICAL MATERIEL CORP. MAMARONECK, NEW YORK			
BSP-2D INSTALLATION DIAGRAM			
SIZE	CODE IDENT NO.	DWG NO.	COAST GUARD
D	82679		
SCALE 1/2			SHEET OF

BSP-2D		
QTY / UNIT	MODEL USED ON	ASSY NO.
APPLICATION		
CODE		
<small>NOTICE TO PERSONS RECEIVING THIS DRAWING</small> <small>THE TECHNICAL MATERIEL CORPORATION claims proprietary right in the material disclosed hereon. This drawing is issued in confidence for engineering information only and may not be reproduced or used to manufacture anything shown hereon without permission from THE TECHNICAL MATERIEL CORPORATION to the user. This drawing is loaned for mutual assistance and is subject to recall at any time.</small>		

UNLESS OTHERWISE SPECIFIED DIMENSIONS ARE IN INCHES AND INCLUDE CHEMICALLY APPLIED OR PLATED FINISHES		FINAL APPROVAL	DATE
TOLERANCES ON		MECH. DES.	DATE
DECIMALS	FRACTIONS	ELECT. DES.	DATE
X ± .05	± 1/64	CHECKED	DATE
XX ± .01	ANGLES	DRAWN	DATE
XXX ± .005	= 0°-30°	G. DeLUCIA	10-20-82
MATERIAL	ID 454		
FINISH			