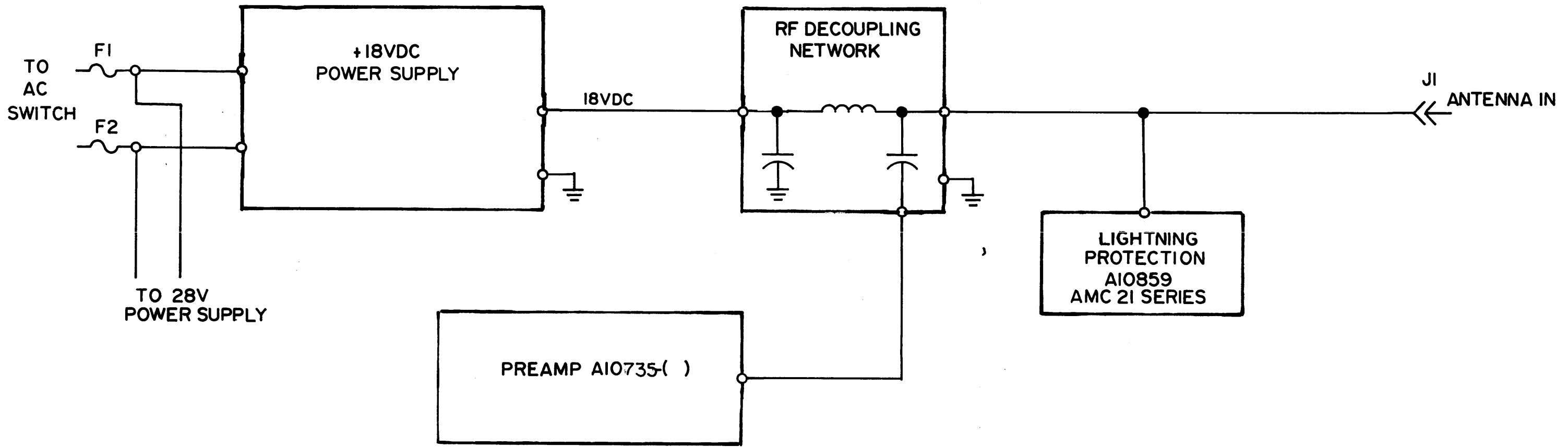


REVISIONS							
E.M.N. NO.	DRAFT	CHKD	ZONE	LTR	DESCRIPTION	DATE	APPROVED



QTY / UNIT	MODEL USED ON	ASS'Y NO.	REQ'D	ITEM	PART NUMBER	DESCRIPTION	SYM.
LIST OF MATERIAL							
AMC			UNLESS OTHERWISE SPECIFIED DIMENSIONS ARE IN INCHES AND INCLUDE CHEMICALLY APPLIED OR PLATED FINISHES		FINAL APPROVAL	DATE	THE TECHNICAL MATERIEL CORP. MAMARONECK, NEW YORK
APPLICATION			DECIMALS .X ± .05 FRACTIONS 1/64 TOLS. ANGLES 0° -30'		<i>DD.B</i>	3/13/86	
CODE			ELECT. DES.		<i>E.F.M</i>	DATE	DIA., INTERCONNECT AMC()
MATERIAL			CHECKED			DATE	
FINISH			DRAWN		<i>RAW</i>	DATE	SIZE B CODE IDENT. NO. 82679 DWG NO. ID465
NOTICE TO PERSONS RECEIVING THIS DRAWING THE TECHNICAL MATERIEL CORPORATION claims proprietary right in the material disclosed hereon. This drawing is issued in confidence for engineering information only and may not be reproduced or used to manufacture anything shown hereon without permission from THE TECHNICAL MATERIEL CORPORATION to the user. This drawing is loaned for mutual assistance and is subject to recall at any time.			SCALE				
			SHEET				OF