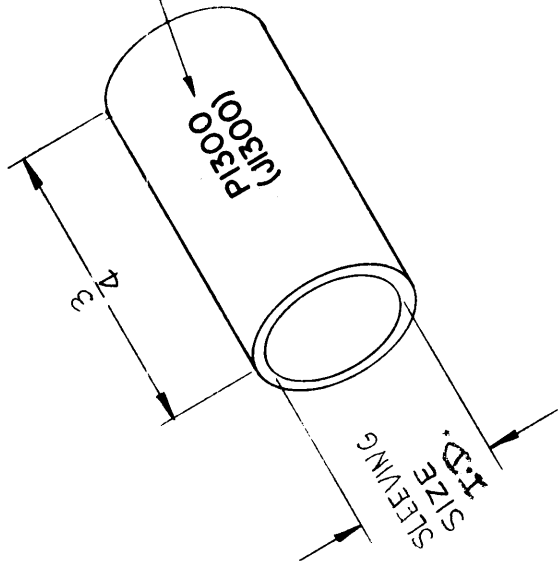


THE CONTENTS OF THIS DRAWING ARE THE EXCLUSIVE PROPERTY OF THE TECHNICAL MATERIEL CORP. ITS UNAUTHORIZED USE OR REPRODUCTION IN WHOLE OR IN PART IS STRICTLY FORBIDDEN.

# STANDARD DRAWING

LA-106



LETTERING TO BE 1/8 HIGH BLACK GOTHIC.

NOMENCLATURE SHALL BE IN THE FOLLOWING FORM

LA-106-1-PI300(J1300)

BASIC DWG. NO. SEE LETTERING TO BE STAMPED ON SLEEVE  
SEE SLEEVING CHART ON SLEEVING CHART

## SUPERSEDED

REPLACED BY LA107  
(SEE CHART)

SUPERSEDED AND DIRECTLY REPLACED BY

REPLACED BY	TMC PART NO.	SIZE NO.	NOMINAL I.D.
LA107 -1	LA-106-1	24	.022
-1	LA-106-2	20	.034
-1	LA-106-3	19	.038
-2	LA-106-4	18	.042
-2	LA-106-5	17	.047
-3	LA-106-6	16	.053
-3	LA-106-7	15	.059
-4	LA-106-8	14	.066
-5	LA-106-9	13	.076
-6	LA-106-10	12	.085
-6	LA-106-11	11	.095
-8	LA-106-12	10	.106
-8	LA-106-13	9	.118
-8	LA-106-14	8	.133
-10	LA-106-15	7	.148
-10	LA-106-16	6	.166
-10	LA-106-17	5	.186
-11	LA-106-18	4	.208
-12	LA-106-19	3	.234
-13	LA-106-20	2	.263
-13	LA-106-21	1	.294
-13	LA-106-22	5/16	.315
-14	LA-106-23	0	.330
-14	LA-106-24	3/8	.375
-16	LA-106-25	7/16	.438
-16	LA-106-26	1/2	.500
-18	LA-106-27	5/8	.625
-20	LA-106-28	7/8	.875
-22	LA-106-29	1	1.00
-23	LA-106-30	1-1/4	1.250
-25	LA-106-31	1-1/2	1.500

Ref: Markwik Sales Corp.

REQ. ITEM	PART NO.	DESCRIPTION	SYMBOL
		THE TECHNICAL MATERIEL CORP. MAMARONECK, NEW YORK	
		White Vinyl Tubing	
		SLEEVING, LETTERED	
		Hot Indeli-dent	
		FINISH & SPEC. NO.	LA-106
		ELEC. DES. APP. MECH. DES. APP.	
		DRAWN	
		CHECKED	
		FINAL APPROVAL	

DATE	CH. NO.	DRAFTS	CHECKER	ENG. APP.
7-8-64	14409	RVT	SCA	MMH

SCALE: \_\_\_\_\_

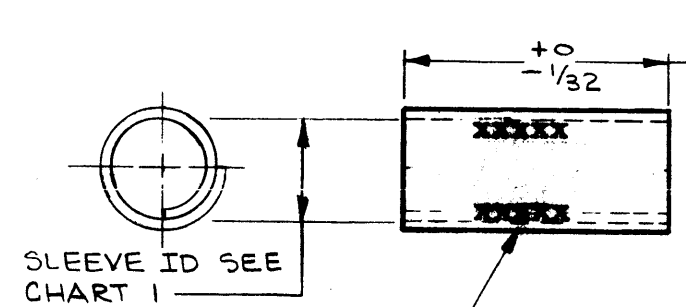
UNLESS OTHERWISE SPECIFIED:  
DIMENSIONS ARE IN INCHES  
TOLERANCES ON ANGLES ± 1/2°  
DECIMALS ± .005

MAXIMUM ALLOWABLE TOLERANCES HAVE BEEN DETERMINED AND ANY DEVIATIONS WILL BE CAUSE FOR REJECTION.  
REMOVE ALL BURRS AND SHARP EDGES

CHART 1

TMC SIZE CODE	WIRE DIA		LWR SIZE	SLEEVE ID (NOM.)	SLEEVE WALL THK	TMC APPL. TOOL NO.	MFRS. APPL. TOOL NO.
	MIN.	MAX.					
1	.030	.040	1/16	.025	.010	1	1
2	.040	.050	1/16	.035	"	2	2
3	.050	.060	1/16	.045	.011	3	3
4	.060	.070	1/16	.055	"	4	4
5	.070	.080	1/16	.060	.012	5	5
6	.080	.090	1/16	.070	"	6	6
7	.090	.100	1/16	.080	"	7	7
8	.100	1/8	1/16	.090	"	8	8
9	1/8	5/32	1/16	.100	"	9	9
10	5/32	3/16	1/16	.125	"	10	10
11	3/16	7/32	3/32	.150	.015	11	11
12	7/32	1/4	↑	.180	"	12	12
13	1/4	5/16		.210	"	13	13
14	5/16	3/8		.250	"	14	14
15	3/8	7/16		.310	"	15	15
16	7/16	1/2		.375	.020	16	16
17	1/2	9/16		.440	"	17	17
18	9/16	5/8		.500	"	18	18
19	5/8	3/4		.560	"	18	18
20	3/4	7/8		.690	.025	18	18
21	7/8	1		.750	"	18	18
22	1	1-1/8		.875	"	18	18
23	1-1/8	1-1/4		1.000	"	18	18
24	1-1/4	1-3/8		1.125	.030	18	18
25	1-3/8	1-1/2		1.250	"	18	18
26	1-1/2	1-5/8		1.375	"	18	18
27	1-5/8	1-3/4		1.500	"	18	18
28	1-3/4	2		1.625	.035	NONE	NONE
29	2	2-1/4		1.875	"	REQ.	REQ.
30	2-1/4	2-1/2	3/32	2.000	"	"	"

STANDARD LENGTH SHALL BE 3/4". INCREASE LENGTH TO 1" OR 1 1/8" ONLY WHEN MARKING ON SLEEVE PER REVISED TMC P/N IS TOO LONG TO FIT 3/4" LENGTH



MARKING INFORMATION PER REVISED TMC P/N. SIZE AND STYLE PER SPEC. 5.  
 NOTE 1: MARKING SHALL APPEAR TWICE, 180° APART, WHERE ROOM PERMITS.  
 NOTE 2: ON SIZE CODE 11 & LARGER, MARKING MAY BE STAMPED ON TWO LINES WHEN USING STANDARD 3/4 LENGTH

EXAMPLE: **CA412-115-36.00**

REVISED PART NO.

LA107 - 13 - CA412-115-36.00

BASIC TMC PART NO.	TMC SIZE CODE DESIRED SEE CHART 1	MARKING INFORMATION DESIRED. SEE MARKING DETAIL & NOTES.
--------------------	-----------------------------------	--

TMC PART NO. SHALL BE IN THE FOLLOWING FORM FOR REFERENCE ONLY. SEE NOTE BELOW.

LA-107-13-5

BASIC TMC PART NO.	TMC SIZE CODE DESIRED SEE CHART 1	MARKING INFORMATION CODE DESIRED SEE CHART 2
--------------------	-----------------------------------	--

THIS P/N IS USED FOR REFERENCE ONLY FOR MARKING INFORMATION CODE UP TO LA107-(1)-1262. ALL PURCHASING AND STOCKING TO BE PER REVISED PART NO.

NOTES

STANDARD DRAWING

QTY./UNIT	MODEL USED ON	ASS'Y. NO.
SCALE	CODE	
	C	S401-273

THE CONTENTS OF THIS DRAWING ARE THE EXCLUSIVE PROPERTY OF THE TECHNICAL MATERIEL CORP. ITS UNAUTHORIZED USE OR REPRODUCTION IN WHOLE OR IN PART IS STRICTLY FORBIDDEN.

LA-107

REVISIONS

SYM	DESCRIPTION	DATE	E.M.N. NO.	DRAFT	CHKD	APPD
K	SHEET 5 OF 5 ADDED, CODE #659 THRU #662 ADD	11.5.64	12852	NTB	@	SC
L	SEE SHEET 5 OF 5 REV. "L"	1-28-65	13345	RL	@	
M	SEE SHEET 5 OF 5 REV. "M"	2-15-65	13423	RL	@	
N	CODE #3 684 THRU 1262 ADD; SHEETS 6,7,8,9 OF 9 ADD.	3-11-65	13591	RL	@	
P	REVISED P/N ADD; NOTE: "THIS P/N IS USED FOR REP..." ADD TO EXISTING P/N; ON PICT. NOTES "REVISED P/N NO." WAS "PER CHART 2" (2 PL.); SEE SHEETS 2 THRU 9 REV. "P".	4-19-65	13856	RL	@	
R	SEE SHEET 3 OF 9 REV. "R"	5-31-66	16291	NLA	@	

SPECIFICATIONS

- Material:**  
Polyvinyl Chloride (Combination of flexible and rigid)  
Note: Flexible vinyl meets MIL Spec. MIL-P-10400A and MIL-I-631, Type F, Forms, Grad a, Class I, Category 1 & rigid vinyl meets Fed. Spec. L-V-351.
- Color:**  
Black marking on white sleeve.
- Finish:**  
High Polish.
- Construction:**  
Printed surface overlaid with clear sheet stock and laminated with sleeve under h at & pr ssur .
- Letter Size & Style:**  
1/16 high Gothic for sleeve ID of .025 thru and incl. .125 (TMC size 1 thru 10).  
3/32 high Gothic for sleeve ID of .150 and up. (TMC sizes 11 & up.)
- Applicator Tools:**  
See TMC DWG. No. 121 & Chart 1.
- Temp. Range:**  
-78°C to +50°C  
Note: If brushed with liquid plastic adhesiv , TMC No. GL-133 sleeve will withstand temp. up to 100°C.
- Sizes:**  
See Chart 1.

REQ'D.	ITEM	PART NUMBER	DESCRIPTION	SYMBOL
LIST OF MATERIAL				
MATERIAL		THE TECHNICAL MATERIEL CORP. MAMARONECK, NEW YORK		
FINISH		TITLE SLEEVE, MARKER, CABLE, SPLIT		
UNLESS OTHERWISE SPECIFIED DIMENSIONS ARE IN INCHES AND INCLUDE CHEMICALLY APPLIED OR PLATED FINISHES		DRAWN G. Sencen		
DECIMALS .X ± .05 .XX ± .01 .XXX ± .008		DATE 2/24/64		
FRACTIONS ± 1/64 ANGLES ± 0° 30'		CHECKED @		
TOLERANCES		DATE 3-3-64		
		ELECT. DES. @		
		DATE 3-6-64		
		MECH. DES. @		
		DATE 3-5-64		

LA-107

SHEET 1 OF 9

FOR REFERENCE ONLY

\* USE TMC P/N LA101

CHART 2

MARKING INFORMATION APPEARING ON SLEEVE

TMC CODE	MARKING	TMC CODE	MARKING	TMC CODE	MARKING	TMC CODE	MARKING
1	P6001	53	P8003	105	CA-480-84-13	151	MAF-1/
2	P6002	54	P8004	106	P3008		UNIT-B
3	P6003	55	P8005	107	P3009	152	MCG-1/
4	P6005	56	P8006	108	P1305		UNIT-A
5	P6007	57	P8007	109	P3002	153	MCG-1/
6	P6009	58	P8008	110	HFR-1		UNIT-B
7	P6010	59	P8009	111	HFF-1	154	MNF-1/
8	P6013	60	P8010	112	HFS-1#1		UNIT-A
9	P6014	61	P8501	113	HFS-1#2	155	MNF-1/
10	P6015	62	P8502	114	TO-J402		UNIT-B
11	P6080	63	P8503	115	TO-J2707	156	MSA-1/
12	P6081	64	P8504	116	TO-J101		UNIT-A
13	P6401	65	P8505	117	TO-J706	157	MSA-1/
14	P6402	66	P8506	118	TO-J304		UNIT-B
15	P6501	67	P8507	119	TO-J503	158	HFR-1/
16	P6502	68	P8508	120	TO-J501		UNIT-A
17	P6503	69	A3469	121	CA-412-11-2.50	159	HFR-1/
18	P6504	70	CA870	122	TO-J502		UNIT-B
19	P6505	71	CA871	123	TO-J102	160	MAF-1/
20	P6506	72	CA872	124	TO-J103		UNIT-A
21	P6507	73	HFP	125	TO-J104	161	TO-J2703
22	P6508	74	MAF#1	126	TO-J105	162	TO-J2705
23	P6509	75	MAF#2	127	TO-J106	163	TO-J3003
24	P6510	76	MFP-1	128	TO-J113	164	TO-J3004
25	P6515	77	MCG#1	129	TO-J305	165	TO-J3015
26	P6518	78	MCG#2	130	TO-J307	166	TO-J3016
27	P6519	79	MNF#1	131	TO-J308	167	TO-J3017
28	P6521	80	MNF#2	132	TO-J602	168	A *
29	P6522	81	MPS-1	133	TO-J701	169	B *
30	P6524	82	MSA#1	134	TO-J702	170	C *
31	P6525	83	MSA#2	135	TO-J703	171	1 *
32	P6527	84	P6011	136	TO-J704	172	2 *
33	P6528	85	P1309	137	TO-J705	173	TO J603
34	P6537	86	P1304	138	TO-J901	174	P6200
35	P6539	87	P1313	139	TO-J902	175	P6201
36	P6541	88	P1302	140	TO-J2303	176	P6202
37	P6543	89	P1307	141	TO-J2304	177	P6203
38	P6906	90	P1303	142	TO-J2702	178	P101
39	P6907	91	P1312	143	TO-J201	179	P104
40	P6908	92	CA-412-11-1.75	144	TO-J202	180	P105
41	P6909	93	P1310	145	TO-J2701	181	P106
42	P6910	94	P3020	146	TO-J2706	182	P107
43	P6911	95	P3019	147	TO-J606	183	P108
44	P6912	96	P3018	148	TO-J2704	184	P109
45	P6913	97	P3017	149	TO-J3001	185	P5000
46	P6914	98	P3016	150	TO-J3002	186	P5002
47	P7001	99	P3015			187	P5003
48	P7002	100	P3014				
49	P7003	101	P3012				
50	P7004	102	P3013				
51	P8001	103	P3010				
52	P8002	104	P3011				

LA-107

REVISIONS

SYM	DESCRIPTION	DATE	E.M.N. NO.	DRAFT	CHKD	APFD
K	SHEET 5 OF 5 ADDED, CODE #659 THRU #662 ADD.	11.5.64	12852	ASB	QC	QC
L	SEE SHEET 5 OF 5 REV. "L"	1.28.65	13345	9.2	QC	QC
M	SEE SHEET 5 OF 5 REV. "M"	2.15.65	13423	8.2	QC	QC
N	CODE #'S 684 THRU 1262 ADD; SHEETS 6, 7, 8, 9 & 9 ADD.	2.11.65	13591	8.2	QC	QC
P	"FOR REF. ONLY" ADD; * NOTE ADD; (-) ADD. BET "TO" & "J#"; P/N 151 THRU 160; (1) ADDED.	4.19.65	13856	8.2	QC	QC
R	SEE SHEET 3 OF 9 REV "R"	5.31.66	16291	HLA	QC	QC

TMC CODE	MARKING	TMC CODE	MARKING	TMC CODE	MARKING
188	P6800	218	P3029	248	P902
189	P6801	219	P3030	249	P904
190	P6802	220	P3031	250	P910
191	P6803	221	P3032	251	P911
192	P6804	222	P3033	252	P1005
193	P6805	223	P3034	253	P1006
194	CA-412-11-9.00	224	P6217	254	LSP-4
195	P5001	225	P6218	255	LFSA-1
196	P206	226	P7014	256	VLRA-1
197	P207	227	P7015	257	PFCB-1
198	P102	228	P7016	258	BPSD-1
199	P209	229	P7017	259	CA-906
200	P200	230	P6219	260	CA-908
201	GPR-92#1	231	P6220	261	P318
202	GPR-92#2	232	P6221	262	P301
203	AFC-2A#1	233	P6222	263	CSS-2
204	AFC-2A#2	234	P4001	264	CA-420
205	SBS-1#1	235	P4002	265	CA-422
206	SBS-1#2	236	P4003	266	CA-409-3-4.00
207	LPP-4	237	P4004	267	CA-409-23-3.00
208	DVC	238	P9301	268	CA-409-34-5.00
209	BSP-2	239	P452	269	CA-409-35-4.00
210	VOX-5	240	P454	270	CA-409-36-5.00
211	P3022	241	P455	271	CA-409-115-36.00
212	P3023	242	P456	272	CA-412-4-9.25
213	P3024	243	P451	273	CA-412-4-13.00
214	P3025	244	P315	274	CA-412-4-19.25
215	P3026	245	P317	275	CA-412-4-38.50
216	P3027	246	P319	276	CA-412-17-5.50
217	P3028	247	P901	277	CA-412-17-6.00
				278	CA-412-17-7.00

REQ'D.	ITEM	PART NUMBER	DESCRIPTION	SYMBOL
<b>LIST OF MATERIAL</b>				
MATERIAL			<b>THE TECHNICAL MATERIEL CORP.</b> MAMARONECK, NEW YORK	
FINISH			TITLE <b>SLEEVE, MARKER, CABLE, SPLIT</b>	
UNLESS OTHERWISE SPECIFIED DIMENSIONS ARE IN INCHES AND INCLUDE CHEMICALLY APPLIED OR PLATED FINISHES		DRAWN <i>E. Jensen</i>	DATE 3/2/64	FINAL APPROVAL <i>RAC</i>
DECIMALS .X ± .05 .XX ± .01 .XXX ± .005		CHECKED <i>[Signature]</i>	DATE 3-3-64	DATE 3/6/64
FRACTIONS ± 1/64 ANGLES ± 0° 30'		ELECT. DES. <i>[Signature]</i>	DATE 3-6-64	DATE 3-6-64
TOLERANCES		MECH. DES. <i>[Signature]</i>	DATE 3-6-64	DATE 3-6-64
SHEET 2 OF 9				

NOTES

STANDARD DRAWING

Q'TY./UNIT	MODEL USED ON	ASS'Y. NO.
SCALE	CODE	
→	C	S401-273

THE CONTENTS OF THIS DRAWING ARE THE EXCLUSIVE PROPERTY OF THE TECHNICAL MATERIEL CORP. ITS UNAUTHORIZED USE OR REPRODUCTION IN WHOLE OR IN PART IS STRICTLY FORBIDDEN.

FOR REFERENCE ONLY.

\* USE TMC P/N LA101

CHART 2

MARKING INFORMATION APPEARING ON SLEEVE

TMC CODE	MARKING	TMC CODE	MARKING	TMC CODE	MARKING
279	CA-412-17-11.00	329	E618	372	P111
280	CA-412-17-13.50	330	E612	373	P111-1
281	CA-412-17-16.00	331	V600 PIN #4	374	P112
282	CA-412-18-7.50	332	T600 PIN #3	375	P112-1
283	CA-412-19-5.00	333	V601 PIN #4	376	P113
284	CA-412-21-3.00	334	T601 PIN #3	377	P113-1
285	CA-412-79-4.50	335	V602 PIN #4	378	P114
286	CA-412-21-5.50	336	T602 PIN #3	379	P114-1
287	CA-412-35-6.50	337	V603 PIN #4	380	P115
288	CA-412-35-12.50	338	T603 PIN #3	381	P116
289	CA-412-23-8.00	339	V604 PIN #4	382	P118
290	CA-412-3-12.75	340	T604 PIN #3	383	LFCA-1
291	CA-412-2-6.00	341	V605 PIN #4	384	LFSB-1
292	CA-412-25-15.00	342	T606 PIN #3	385	P453
293	CA-521	343	V600 PIN #2	386	VLRB-1
294	CA-519	344	T600 PIN #5	387	TB101
295	CA-523	345	V601 PIN #2	388	P122
296	CA-524	346	T601 PIN #5	389	CA931
297	CA-525	347	V602 PIN #2	390	TB1501
298	CA-526	348	T602 PIN #5	391	CA932
299	CA-527	349	V603 PIN #2	392	CA412-30
300	CA-528	350	T603 PIN #5	393	CA480-3-72
301	CA-529	351	V604 PIN #2	394	CA480-3-77
302	CA-530	352	T604 PIN #5	395	CA480-3-90
303	CA-531	353	V605 PIN #2	396	CA480-3-97
304	CA-412-9-13.00	354	T605 PIN #5	397	CA480-3-112
305	CA-412-9-2.00	355	T601 PIN #4	398	CA480-3-128
306	CA-412-9-3.50	356	E611	399	CA480-3-140
307	CA-412-10-4.00	357	T604 PIN #4	400	CA686-1
308	CA-516	358	E609	401	CA687-1
309	CA-409-24-12.00	359	T603 PIN #4	402	CA687-2
310	CA-409-25-12.00	360	T604 PIN #4	403	CA-704
311	CA-409-15-4.75	361	T600 PIN #4	404	CA-706-1
312	CA-412-11-4.00	362	T602 PIN #4	405	CA718
313	CA-412-11-5.00	363	T605 PIN #4	406	CA909
314	CA-412-11-7.00	364	CA413	407	CA910
315	CA-412-11-10.00	365	E607	408	CA912
316	CA-412-11-11.00	366	E608	409	CA914
317	CA-412-11-15.50	367	CA-409-103-2.00	410	CA923
318	V600	368	P903	411	CA927
319	E613	369	DELETED	412	CA929
320	V601	370	P110-1	413	DELETED
321	E614	371	P110	414	DELETED
322	V602				
323	E615				
324	V603				
325	E616				
326	V604				
327	E617				
328	V605				

R  
LA-107

REVISIONS

SYM	DESCRIPTION	DATE	E.M.N. NO.	DRAFT	CHKD	APPD
N	CODE #5 684 THRU 1261 ADD; SHEETS 6, 7, 8, 9 of 9 ADD.	3-11-65	13591	92		
P	"FOR REF. ONLY" & "*" NOTE ADDED.	4-19-65	13856	85		
R	ON CHART 2 REV. 285 & 290	5-31-66	16291	HLA		

TMC CODE	MARKING	TMC CODE	MARKING	TMC CODE	MARKING
415	CA934	444	P7201	473	P5001-1
416	OBS. USE-108	445	P7202	474	P5001-2
417	P3001	446	P7203	475	P5002-1
418	P4007	447	P7204	476	P5002-2
419	P4008	448	TB9301	477	P5003-1
420	P4010	449	TB301	478	P5003-2
421	P5004	450	RTMU-1	479	P3001-2
422	P5006	451	RTTD-1	480	P3008-1
423	P6204	452	HFRR-2	481	P3008-2
424	P6205	453	HFSR-1	482	P3014-1
425	P6206	454	AFC-3	483	P3014-2
426	P6207	455	HSS-3	484	CA409-45-2.00
427	P6208	456	HFIR-1	485	CA440
428	P6209	457	HNF-1	486	CA441
429	P6219-1	458	HFAR-1	487	CA442
430	P6219-2	459	HAF-1	488	CA443
431	P6219-3	460	HFP-1	489	CA444
432	P6219-4	461	P1316	490	CA445
433	P7005	462	P3001-1	491	CA446
434	P7008	463	P9016	492	CA447
435	P7009	464	CA696-1	493	CA448
436	P7010	465	CA696-2	494	CA828
437	P7011	466	CA696-3	495	E706
438	P7012	467	P4001-1	496	E707
439	P7014-1	468	P4001-2	497	E708
440	P7014-2	469	P4002-1	498	E709
441	P7014-3	470	P4002-2	499	E710
442	P7014-4	471	P4003-1	500	E711
443	P7200	472	P4003-2	501	3 *

REQ'D.	ITEM	PART NUMBER	DESCRIPTION	SYMBOL

**LIST OF MATERIAL**

**THE TECHNICAL MATERIEL CORP.**  
MAMARONECK, NEW YORK

**TITLE**  
SLEEVE, MARKER, CABLE, SPLIT

UNLESS OTHERWISE SPECIFIED DIMENSIONS ARE IN INCHES AND INCLUDE CHEMICALLY APPLIED OR PLATED FINISHES	DRAWN <i>WJB</i>	DATE 8.19.64	FINAL APPROVAL <i>RDC</i>	DATE
	CHECKED <i>@</i>	DATE		
DECIMALS .X ± .05 .XX ± .01 .XXX ± .005	TOLERANCES	FRACTIONS ± 1/64 ANGLES ± 0° 30'	ELECT. DES. <i>gc</i>	DATE 10/27/64
			MECH. DES. <i>7</i>	DATE

**LA-107**

SHEET 3 OF 9      REV. LTR.

STANDARD DRAWING

QTY./UNIT	MODEL USED ON	ASSY. NO.
SCALE	CODE	
	C	S401-273

THE CONTENTS OF THIS DRAWING ARE THE EXCLUSIVE PROPERTY OF THE TECHNICAL MATERIEL CORP. ITS UNAUTHORIZED USE OR REPRODUCTION IN WHOLE OR IN PART IS STRICTLY FORBIDDEN.

NOTES

FOR REFERENCE ONLY.

CHART 2

\* USE TMC P/N LA101

MARKING INFORMATION APPEARING ON SLEEVE

TMC CODE	MARKING	TMC CODE	MARKING	TMC CODE	MARKING
502	4 *	537	46 *	567	P6504-1
503	5 *	538	47 *	568	P6504-2
504	6 *	539	48 *	569	P5605-1
505	7 *	540	49 *	570	P6505-2
506	8 *	541	50 *	571	P6506-1
507	9 *	542	51 *	572	P6506-2
508	10 *	543	52 *	573	P6507-1
509	11 *	544	53 *	574	P6507-2
510	12 *	545	54 *	575	P6508-1
511	13 *	546	55 *	576	P6508-2
512	14 *	547	56 *	577	P6509-1
513	15 *	548	57 *	578	P6509-2
514	16 *	549	58 *	579	P6510-1
515	17 *	550	59 *	580	P6510-2
516	18 *	551	60 *	581	P6543-1
517	19 *	552	61 *	582	P6543-2
518	20 *	553	62 *	583	P6541-1
519	25 *	554	TB101-1	584	P6541-2
520	26 *	555	TB101-2	585	P6537-1
521	27 *	556	P113-2	586	P6537-2
522	28 *	557	P112-2	587	P6539-1
523	29 *	558	P111-2	588	P6539-2
524	30 *	559	P114-2	589	P6528-1
525	31 *	560	P110-2	590	P6528-2
526	32 *	561	P6501-1	591	P6525-1
527	33 *	562	P6501-2	592	P6525-2
528	34 *	563	P6502-2	593	P6522-1
529	35 *	564	P6502-2	594	P6522-2
530	36 *	565	P6503-1	595	P6519-1
531	37 *			596	P6519-2
532	41 *				
533	42 *				
534	43 *				
535	44 *				
536	45 *				

LA107

REVISIONS						
SYM	DESCRIPTION	DATE	EM N NO.	DRAFT	CHKD	APPD
J	SHEET 4 OF 4 ADD., CODE #502 THRU #658 ADDED	10.26.64	12628	JSB	@	gc
K	SHEET 5 OF 5 ADDED, CODE #659 THRU #662 ADDED	11.5.64	12852	JSB	@	gc
L	SEE SHEET 5 OF 5 REV. "L."	1.28.65	13345	gc	@	gc
M	SEE SHEET 5 OF 5 REV. "M"	2.15.65	13423	gc	@	gc
N	CODE #5 684 THRU 1262 ADD; SHEETS 6, 7, 8, 9 of 9 ADD.	3.11.65	13591	gc	@	gc
P	"FOR REF. ONLY" & "*" NOTES ADDED.	4/19/65	13856	gc	@	gc
R	SEE SHEET 3 OF 9 REV. "R"	5.31.66	16291	HGA	@	gc

TMC CODE	MARKING	TMC CODE	MARKING	TMC CODE	MARKING
597	P6527-1	618	P6402-6	639	P6005-2
598	P6527-2	619	P6402-7	640	P6007-2
599	P6524-1	620	P4602-8	641	P6914-1
600	P6524-2	621	P6906-1	642	P6914-2
601	P6521-1	622	P6907-1	643	P6001-1
602	P6521-2	623	P6908-1	644	P6002-1
603	P6518-1	624	P6909-1	645	P6003-1
604	P6518-2	625	P6910-1	646	P6005-1
605	P6401-1	626	P6912-1	647	P6007-1
606	P6401-2	627	P6913-1	648	P6009-1
607	P6401-3	628	P6001-2	649	P6011-1
608	P6401-4	629	P6906-2	650	P6013-1
609	P6401-5	630	P6907-2	651	P6014-1
610	P6401-6	631	P6908-2	652	P6015-1
611	P6401-7	632	P6909-2	653	P6009-2
612	P6401-8	633	P6910-2	654	P6011-2
613	P6402-1	634	P6911-2	655	P6013-2
614	P6402-2	635	P6912-2	656	P6014-2
615	P6402-3	636	P6913-2	657	P6015-2
616	P6402-4	637	P6002-2	658	P6911-1
617	P6402-5	638	P6003-2		

REQ'D.	ITEM	PART NUMBER	DESCRIPTION	SYMBOL
LIST OF MATERIAL				
MATERIAL			THE TECHNICAL MATERIEL CORP. MAMARONECK, NEW YORK	
FINISH			TITLE SLEEVE, MARKER, CABLE, SPLIT	
UNLESS OTHERWISE SPECIFIED DIMENSIONS ARE IN INCHES AND INCLUDE CHEMICALLY APPLIED OR PLATED FINISHES			DRAWN JSB	DATE 10.26.64
			CHECKED @	DATE
DECIMALS .X ± .05 .XX ± .01 .XXX ± .005			FINAL APPROVAL RDC	
			DATE 10/27/64	
TOLERANCES ± 1/64 ANGLES ± 0° 30'			ELECT. DES. gc	DATE
			MECH. DES.	DATE
			LA107	
			SHEET 4 OF 9	
			REV. LTR. R	

STANDARD DRAWING

Q'TY./UNIT	MODEL USED ON	ASS'Y. NO.
SCALE	CODE	
#	C	S401-273

THE CONTENTS OF THIS DRAWING ARE THE EXCLUSIVE PROPERTY OF THE TECHNICAL MATERIEL CORP. ITS UNAUTHORIZED USE OR REPRODUCTION IN WHOLE OR IN PART IS STRICTLY FORBIDDEN.

NOTES

FOR REFERENCE ONLY.

CHART 2

MARKING INFORMATION APPEARING ON SLEEVE

TMC CODE	MARKING	TMC CODE	MARKING	TMC CODE	MARKING
659	P6002-3	693	CA1032-4	723	P8006-6
660	P6013-3	694	<del>P8003-1</del>	724	P8006-7
661	OBS. USE 652	695	P8003-2	725	P8006-8
662	OBS, USE 655	696	P8003-3	726	P8007-1
663	P481	697	<del>P8003-4</del>	727	P8007-2
664	CA412-34-54.00	698	P8003-5	728	P8007-3
665	CA412-36-34.00	699	P8003-6	729	P8007-4
666		700	P8003-7	730	P8007-5
667	P6002-4	701	P8003-8	731	P8007-6
668	P6013-3	702	P8004-1	732	P8007-7
669	P6013-4	703	P8004-2	733	P8007-8
670	P6015-3	704	P8004-3	734	P8008-1
671	P6015-4	705	P8004-4	735	P8008-2
672	P6515-1	706	P8004-5	736	P8008-3
673	P6515-2	707	<del>P8004-6</del>	737	P8008-4
674	P3000	708	P8004-7	738	P8008-5
675	P3055	709	P8004-8	739	P8008-6
676	P3056	710	P8005-1	740	P8008-7
677	J2708	711	P8005-2	741	P8008-8
678	TB102	712	P8005-3	742	P8009-1
679	J1005	713	P8005-4	743	P8009-2
680	J1006	714	P8005-5	744	P8009-3
681	J1007	715	P8005-6	745	P8009-4
682	J1008	716	P8005-7	746	P8009-5
683	J1009	717	P8005-8	747	P8009-6
684	P6515-3	718	P8006-1	748	P8009-7
685	P6515-4	719	P8006-2	749	P8009-8
686	P6515-5	720	P8006-3	750	P8010-1
687	P6515-6	721	P8006-4	751	P8010-2
688	P6515-7	722	P8006-5	752	P8010-3
689	P6515-8				
690	CA1032-1				
691	CA1032-2				
692	CA1032-3				

LA107

REVISIONS

SYM	DESCRIPTION	DATE	E.M.N. NO.	DRAFT	CHKD	APPD
K	SHEET 5 OF 5 ADDED, CODE #659 THRU #662 ADD.	11.5.64	12852	NB	@	JC
L	CODE #661 WAS "P6015-1", #662 WAS "P6015-2" CODE #663 THRU #678 ADD.	1.28.65	13345	JK	@	JK
M	CODE #679 THRU 683 ADD.	2.15.65	13423	JK	JK	JK
N	CODE #3 684 THRU 1262 ADD; SHEETS 6, 7, 8, 9 OF 9 ADD.	3.11.65	13591	JK	JK	JK
P	"FOR REF. ONLY" ADD.	4.19.65	13856	JK	JK	JK
R	SEE SHEET 3 OF 9 REV. "R"	5.31.66	16291	HLA	JK	JK

NOTES

STANDARD DRAWING

Q'TY./UNIT	MODEL USED ON	ASS'Y. NO.
SCALE	CODE	S401-273

THE CONTENTS OF THIS DRAWING ARE THE EXCLUSIVE PROPERTY OF THE TECHNICAL MATERIEL CORP. ITS UNAUTHORIZED USE OR REPRODUCTION IN WHOLE OR IN PART IS STRICTLY FORBIDDEN.

REQ'D.	ITEM	PART NUMBER	DESCRIPTION	SYMBOL
LIST OF MATERIAL				
MATERIAL		THE TECHNICAL MATERIEL CORP. MAMARONECK, NEW YORK		
FINISH		TITLE SLEEVE, MARKER, CABLE, SPLIT		
UNLESS OTHERWISE SPECIFIED DIMENSIONS ARE IN INCHES AND INCLUDE CHEMICALLY APPLIED OR PLATED FINISHES		DRAWN NB	DATE 11.5.64	FINAL APPROVAL RDC
DECIMALS .X ± .05 .XX ± .01 .XXX ± .005		CHECKED	DATE	DATE
FRACTIONS ± 1/64 ANGLES ± 0° 30'		ELECT. DES.	DATE	DATE
TOLERANCES		MECH. DES.	DATE	DATE
SHEET 5 OF 9				R
REV. LTR.				

FOR REFERENCE ONLY CHART 2

MARKING INFORMATION APPEARING ON SLEEVE

TMC CODE	MARKING	TMC CODE	MARKING	TMC CODE	MARKING
753	P8010-4	788	CA1033-7	818	P3001-7
754	P8010-5	789	CA1033-8	819	P3001-8
755	P8010-6	790	P6015-5	820	P8007-9
756	P8010-7	791	P6015-6	821	P8007-10
757	P8010-8	792	P6015-7	822	P8007-11
758	P1305-1	793	P6015-8	823	P8007-12
759	P1305-2	794	TB6501-1	824	P1301-5
760	P1305-3	795	TB6501-2	825	P1301-6
761	P1305-4	796	TB6501-3	826	P1301-7
762	CA1035-1	797	TB6501-4	827	P1301-8
763	CA1035-2	798	TB5501-5	828	P8010-9
764	CA1035-3	799	TB6501-6	829	P8010-10
765	CA1035-4	800	TB6501-7	830	P8010-11
766	CA1035-5	801	TB6501-8	831	P8010-12
767	CA1035-6	802	CA1034-1	832	CA1037-1
768	CA1035-7	803	CA1034-2	833	CA1037-2
769	CA1035-8	804	CA1034-3	834	CA1037-3
770	P8005-9	805	CA1034-4	835	CA1037-4
771	P8005-10	806	CA1036-1	836	CA1037-5
772	P8005-11	807	CA1036-2	837	CA1037-6
773	P8005-12	808	CA1036-3	838	CA1037-7
774	P8501-1	809	CA1036-4	839	CA1037-8
775	P8501-2	810	CA1036-5	840	P8501-1
776	P8501-3	811	CA1036-6	841	P8501-2
777	P8501-4	812	CA1036-7	842	P8501-3
778	P8008-9	813	CA1036-8	843	P8501-4
779	P8008-10	814	P3001-3	844	P8502-1
780	P8008-11	815	P3001-4	845	P8502-2
781	P8008-12	816	P3001-5	846	P8502-3
782	CA1033-1	817	P3001-6	847	P8502-4
783	CA1033-2				
784	CA1033-3				
785	CA1033-4				
786	CA1033-5				
787	CA1033-6				

R  
LA107

REVISIONS

SYM	DESCRIPTION	DATE	E.M.N. NO.	DRAFT	CHKD	APPD
N	CODE #5 684 THRU 1262 ADD; SHEETS 6, 7, 8, & 9 OF 9 ADD.	3-11-65	13591	92		
P	"FOR REF. ONLY" ADDED.	4-19-65	13856	02		
R	SEE SHEET 3 OF 9 REV "R"	5-31-66	16291	NCA		

TMC CODE	MARKING	TMC CODE	MARKING	TMC CODE	MARKING
848	P8502-5	870	P8505-3	892	P1304-1
849	P8502-6	871	P8505-4	893	P1304-2
850	P8502-7	872	P8505-5	894	P1304-3
851	P8502-8	873	P8505-6	895	P1304-4
852	P8503-1	874	P8505-7	896	P1304-5
853	P8503-2	875	P8505-8	897	P1304-6
854	P8503-3	876	P1302-1	898	P1304-7
855	P8503-4	877	P1302-2	899	P1304-8
856	P8503-5	878	P1302-3	900	P1307-1
857	P8503-6	879	P1302-4	901	P1307-2
858	P8503-7	880	P1302-5	902	P1307-3
859	P8503-8	881	P1302-6	903	P1307-4
860	P8504-1	882	P1302-7	904	P1307-5
861	P8504-2	883	P1302-8	905	P1307-6
862	P8504-3	884	P1303-1	906	P1307-7
863	P8504-4	885	P1303-2	907	P1307-8
864	P8504-5	886	P1303-3	908	P1312-1
865	P8504-6	887	P1303-4	909	P1312-2
866	P8504-7	888	P1303-5	910	P1312-3
867	P8504-8	889	P1303-6	911	P1312-4
868	P8505-1	890	P1303-7	912	P1312-5
869	P8505-2	891	P1303-8	913	P1312-6

REQ'D.	ITEM	PART NUMBER	DESCRIPTION	SYMBOL
<b>LIST OF MATERIAL</b>				
MATERIAL			<b>THE TECHNICAL MATERIEL CORP.</b> MAMARONECK, NEW YORK	
FINISH			TITLE SLEEVE, MARKER, CABLE, SPLIT	
UNLESS OTHERWISE SPECIFIED DIMENSIONS ARE IN INCHES AND INCLUDE CHEMICALLY APPLIED OR PLATED FINISHES			DRAWN <i>J. J. J.</i>	DATE 3-9-65
			CHECKED	DATE
			ELECT. DES.	DATE
			MECH. DES.	DATE
DECIMALS .X ± .05 .XX ± .01 .XXX ± .005			TOLERANCES ± 1/64 ANGLES ± 0° 30'	
Q'TY./UNIT SCALE 4			MODEL USED ON CODE C	
ASS'Y. NO. 5401-273			FINAL APPROVAL RDC	
THE CONTENTS OF THIS DRAWING ARE THE EXCLUSIVE PROPERTY OF THE TECHNICAL MATERIEL CORP. ITS UNAUTHORIZED USE OR REPRODUCTION IN WHOLE OR IN PART IS STRICTLY FORBIDDEN.			SHEET 6 OF 9	

NOTES

**STANDARD DRAWING**

FOR REFERENCE ONLY

CHART 2

R

REVISIONS

MARKING INFORMATION APPEARING ON SLEEVE

SYM	DESCRIPTION	DATE	E.M.N. NO.	DRAFT	CHKD	APPD
N	CODE #5 684 THRU 1267 ADD; SHEETS 6,7,8, & 9 of 9 ADD.	3-11-65	13591	87		
P	"FOR REF. ONLY" ADD.	4-19-65	13856	87	JCB	
R	SEE SHEET 3 OF 9 REV "R"	5-31-66	16291	HCA	JCB	JC

TMC CODE	MARKING	TMC CODE	MARKING	TMC CODE	MARKING
914	P1312-7	949	P3017-2	979	P6003-8
915	P1312-8	950	P3017-3	980	P6005-3
916	P3008-1	951	P3017-4	981	P6005-4
917	P3008-2	952	P3017-5	982	P6005-5
918	P3008-3	953	P3017-6	983	P6005-6
919	P3008-4	954	P3017-7	984	P6005-7
920	P3008-5	955	P3017-8	985	P6005-8
921	P3008-6	956	P3018-1	986	P6007-3
922	P3008-7	957	P3018-2	987	P6007-4
923	P3008-8	958	P3018-3	988	P6007-5
924	P3009-1	959	P3018-4	989	P6007-6
925	P3009-2	960	P3018-5	990	P6007-7
926	P3009-3	961	P3018-6	991	P6007-8
927	P3009-4	962	P3018-7	992	P6009-3
928	P3009-5	963	P3018-8	993	P6009-4
929	P3009-6	964	P6001-3	994	P6009-5
930	P3009-7	965	P6001-4	995	P6009-6
931	P3009-8	966	P6001-5	996	P6009-7
932	P3010-1	967	P6001-6	997	P6009-8
933	P3010-2	968	P6001-7	998	P6011-3
934	P3010-3	969	P6001-8	999	P6011-4
935	P3010-4	970	P6002-5	1000	P6011-5
936	P3010-5	971	P6002-6	1001	P6011-6
937	P3010-6	972	P6002-7	1002	P6011-7
938	P3010-7	973	P6002-8	1003	P6011-8
939	P3010-8	974	P6003-3	1004	P6013-5
940	P3012-1	975	P6003-4	1005	P6013-6
941	P3012-2	976	P6003-5	1006	P6013-7
942	P3012-3	977	P6003-6	1007	P6013-8
943	P3012-4	978	P6003-7	1008	P6014-3
944	P3012-5				
945	P3012-6				
946	P3012-7				
947	P3012-8				
948	P3017-1				

L A I 0 7

TMC CODE	MARKING	TMC CODE	MARKING	TMC CODE	MARKING
1009	P6014-4	1030	P5002-5	1051	P6502-4
1010	P6014-5	1031	P5002-6	1052	P6502-5
1011	P6014-6	1032	P5002-7	1053	P6502-6
1012	P6014-7	1033	P5002-8	1054	P6502-7
1013	P6014-8	1034	P5003-3	1055	P6502-8
1014	P5000-1	1035	P5003-4	1056	P6507-3
1015	P5000-2	1036	P5003-5	1057	P6507-4
1016	P5000-3	1037	P5003-6	1058	P6507-5
1017	P5000-4	1038	P5003-7	1059	P6507-6
1018	P5000-5	1039	P5003-8	1060	P6507-7
1019	P5000-6	1040	P8009-9	1061	P6507-8
1020	P5000-7	1041	P8009-10	1062	P6537-3
1021	P5000-8	1042	P8009-11	1063	P6537-4
1022	P5001-3	1043	P8009-12	1064	P6537-5
1023	P5001-4	1044	P6501-3	1065	P6537-6
1024	P5001-5	1045	P6501-4	1066	P6537-7
1025	P5001-6	1046	P6501-5	1067	P6537-8
1026	P5001-7	1047	P6501-6	1068	P6539-3
1027	P5001-8	1048	P6501-7	1069	P6539-4
1028	P5002-3	1049	P6501-8	1070	P6539-5
1029	P5002-4	1050	P6502-3	1071	P6539-6

REQ'D.	ITEM	PART NUMBER	DESCRIPTION	SYMBOL
<b>LIST OF MATERIAL</b>				
MATERIAL			<b>THE TECHNICAL MATERIEL CORP.</b>	
			MAMARONECK, NEW YORK	
FINISH			TITLE	
			SLEEVE, MARKER, CABLE, SPLIT.	
UNLESS OTHERWISE SPECIFIED DIMENSIONS ARE IN INCHES AND INCLUDE CHEMICALLY APPLIED OR PLATED FINISHES			DRAWN <i>R. J. Wells</i>	DATE
			CHECKED	DATE
			FINAL APPROVAL <i>RDC</i>	
			ELECT. DES.	DATE
			MECH. DES.	DATE
DECIMALS .X ± .05 .XX ± .01 .XXX ± .005			TOLERANCES ± 1/64 ANGLES ± 0° 30'	
			SHEET 7 of 9	
			REV. LTR. R	

STANDARD DRAWING

Q'TY./UNIT	MODEL USED ON	ASS'Y. NO.
SCALE	CODE	5401-273

THE CONTENTS OF THIS DRAWING ARE THE EXCLUSIVE PROPERTY OF THE TECHNICAL MATERIEL CORP. ITS UNAUTHORIZED USE OR REPRODUCTION IN WHOLE OR IN PART IS STRICTLY FORBIDDEN.

NOTES



FOR REFERENCE ONLY.

CHART 2

MARKING INFORMATION APPEARING ON SLEEVE

TMC CODE	MARKING	TMC CODE	MARKING	TMC CODE	MARKING
1072	P6539-7	1108	P5017-2	1138	TB8504-4
1073	P6539-8	1109	P5017-3	1139	TB8505-1
1074	P6541-3	1110	P5017-4	1140	TB8505-2
1075	P6541-4	1111	P5017-5	1141	TB8505-3
1076	P6541-5	1112	P5017-6	1142	TB8505-4
1077	P6541-6	1113	P5017-7	1143	TB8506-1
1078	P6541-7	1114	P5017-8	1144	TB8506-2
1079	P6541-8	1115	P5018-1	1145	TB8506-3
1080	P6543-3	1116	P5018-2	1146	TB8506-4
1081	P6543-4	1117	P5018-3	1147	TB9001
1082	P6543-5	1118	P5018-4	1148	CA1033-9
1083	P6543-6	1119	P5018-5	1149	CA1033-10
1084	P6543-7	1120	P5018-6	1150	CA1036-9
1085	P6543-8	1121	P5018-7	1151	CA1037-9
1086	P8006-9	1122	P5018-8	1152	CA1034-5
1087	P8006-10	1123	TB8501-1	1153	CA1044-9
1088	P8006-11	1124	TB8501-2	1154	CA1044-10
1089	P8006-12	1125	TB8501-3	1155	J1
1090	P8004-9	1126	TB8501-4	1156	J2
1091	P8004-10	1127	TB8502-1	1157	J3
1092	P8004-11	1128	TB8502-2	1158	J1001
1093	P8004-12	1129	TB8502-3	1159	J1300
1094	P8003-9	1130	TB8502-4	1160	J1301
1095	P8003-10	1131	TB8503-1	1161	J1302
1096	P8003-11	1132	TB8503-2	1162	J1303
1097	P8003-12	1133	TB8503-3	1163	J1304
1098	CA1044-1	1134	TB8503-4	1164	J1305
1099	CA1044-2	1135	TB8504-1	1165	J1306
1100	CA1044-3	1136	TB8504-2	1166	J1307
1101	CA1044-4	1137	TB8504-3	1167	J1308
1102	CA1044-5				
1103	CA1044-6				
1104	CA1044-7				
1105	CA1044-8				
1106	J3005				
1107	P5017-1				

LA107

REVISIONS

SYM	DESCRIPTION	DATE	E.M.N. NO.	DRAFT	CHKD	APPD
N	CODE #'S 684 THRU 1262 ADD; SHEETS 6,7,8, & 9 of 9 ADD.	3-11-65	13591	YF		
P	"FOR REF. ONLY" ADD; (1) ADD. TO CODE 1229.	4-19-65	13856	AE		
R	SEE SHEET 3 OF 9 REV. "R"	5-31-66	16291	HCA		

TMC CODE	MARKING	TMC CODE	MARKING	TMC CODE	MARKING
1168	J1309	1189	J3022	1210	J8008
1169	J1310	1190	J3023	1211	J8009
1170	J1311	1191	J3024	1212	NOT USED
1171	J1312	1192	J3025	1213	J8010
1172	J1313	1193	J3026	1214	CA1036-10
1173	J1314	1194	J3027	1215	CA1037-10
1174	J1315	1195	J3028	1216	P8501-5
1175	J1316	1196	J3029	1217	P8501-6
1176	J3006	1197	J3030	1218	P8501-7
1177	J3007	1198	J3031	1219	P8501-8
1178	J3008	1199	J3032	1220	CA1051-1
1179	J3009	1200	J3033	1221	P2033-1
1180	J3010	1201	J3034	1222	P2033-2
1181	J3011	1202	J3035	1223	CA974
1182	J3012	1203	J8001	1224	CA975
1183	J3013	1204	J8002	1225	CA976
1184	J3014	1205	J8003	1226	CA973
1185	J3018	1206	J8004	1227	CA944
1186	J3019	1207	J8005	1228	P1007
1187	J3020	1208	J8006	1229	RTIA-1/UNIT 1
1188	J3021	1209	J8007	1230	RTPA-1

STANDARD DRAWING

Q'TY./UNIT	MODEL USED ON	ASS'Y. NO.
SCALE 4	CODE C	S401-273

THE CONTENTS OF THIS DRAWING ARE THE EXCLUSIVE PROPERTY OF THE TECHNICAL MATERIEL CORP. ITS UNAUTHORIZED USE OR REPRODUCTION IN WHOLE OR IN PART IS STRICTLY FORBIDDEN.

REQ'D.	ITEM	PART NUMBER	DESCRIPTION	SYMBOL
<b>LIST OF MATERIAL</b>				
MATERIAL		THE TECHNICAL MATERIEL CORP. MAMARONECK, NEW YORK		
FINISH		TITLE SLEEVE, MARKER, CABLE, SPLIT		
UNLESS OTHERWISE SPECIFIED DIMENSIONS ARE IN INCHES AND INCLUDE CHEMICALLY APPLIED OR PLATED FINISHES		DRAWN J. Swana	DATE 3-9-65	FINAL APPROVAL RDC
TOLERANCES		DATE		
DECIMALS .X ± .05 .XX ± .01 .XXX ± .005	FRACTIONS ± 1/64 ANGLES ± 0° 30'	DATE		
ELECT. DES.		DATE		
MECH. DES.		DATE		
SHEET 8 OF 9				REV. LTR. R

NOTES

FOR REFERENCE ONLY

CHART 2

MARKING INFORMATION APPEARING ON SLEEVE

TMC CODE	MARKING	TMC CODE	MARKING	TMC CODE	MARKING
1231	RTIA-/UNIT-2				
1232	P6501				
1233	P1005				
1234	RTKY-1				
1235	P1006				
1236	TB6001				
1237	RTRS-1				
1238	P1008				
1239	P4009				
1240	CA1070-1				
1241	CA1070-2				
1242	CA1070-3				
1243	CA1070-4				
1244	CA1070-5				
1245	CA1070-6				
1246	CA1070-7				
1247	CA1070-8				
1248	P6544-1				
1249	P6544-2				
1250	P6544-3				
1251	P6544-4				
1252	P6544-5				
1253	P6544-6				
1254	P6544-7				
1255	P6544-8				
1256	CA1063				
1257	J1011				
1258	J1012				
1259	P484				
1260	P912				
1261	P913				
1262	CA1075				

R  
LA107

REVISIONS

SYM	DESCRIPTION	DATE	E.M.N. NO.	DRAFT	CHKD	APPD
N	CODE #'S 604 THRU 1250 ADD; SHEETS 6,7,8, & 9 of 9 ADD.	2-11-65	13591	PT		
P	"FOR REF. ONLY" ADD; (1) ADD. TO CODE 1231	4-19-65	13856	PT		
R	SEE SHEET 3 OF 9 REV. "R"	5-31-66	16291	HEA		

REQ'D.	ITEM	PART NUMBER	DESCRIPTION	SYMBOL
<b>LIST OF MATERIAL</b>				
MATERIAL			<b>THE TECHNICAL MATERIEL CORP.</b> MAMARONECK, NEW YORK	
FINISH			TITLE <b>SLEEVE, MARKER, CABLE, SPLIT</b>	
UNLESS OTHERWISE SPECIFIED DIMENSIONS ARE IN INCHES AND INCLUDE CHEMICALLY APPLIED OR PLATED FINISHES			DRAWN <i>J. Lanza</i>	DATE 3.9.65
			CHECKED	DATE
			ELECT. DES.	DATE
			MECH. DES.	DATE
			FINAL APPROVAL <b>RDC</b>	
			<b>LA107</b>	
			SHEET <b>9 OF 9</b>	
			<b>R</b>	
			REV. LTR.	

**STANDARD DRAWING**

Q'TY./UNIT	MODEL USED ON	ASS'Y. NO.
SCALE	CODE	5401-273

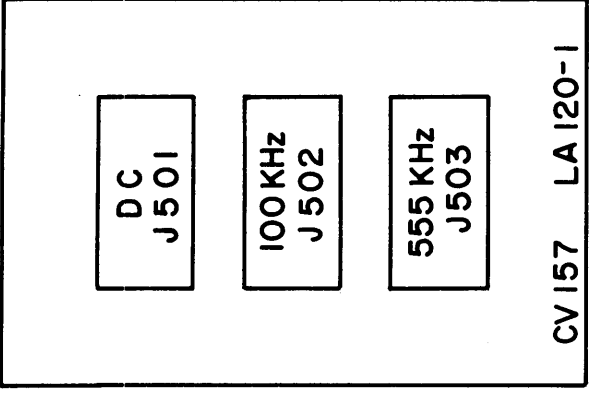
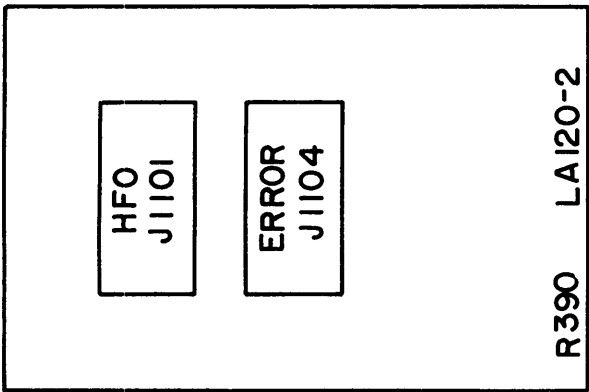
THE CONTENTS OF THIS DRAWING ARE THE EXCLUSIVE PROPERTY OF THE TECHNICAL MATERIEL CORP. ITS UNAUTHORIZED USE OR REPRODUCTION IN WHOLE OR IN PART IS STRICTLY FORBIDDEN.

NOTES

5 4 3 2 1

D C B A

E.M.N. NO.	DRAFT	CHKD	ZONE	LTR	DESCRIPTION	DATE	APPROVED
------------	-------	------	------	-----	-------------	------	----------



NOTES

1. ALL LETTERING & ARTWORK TO BE BLACK ON ALUMINUM BACKGROUND WITH ADHESIVE BACKING.
2. REPRODUCTION METHOD: AS PER TMC SPEC S1222.

REQ'D ITEM	PART NUMBER	DESCRIPTION	SYM.
F.B.			
FINAL APPROVAL	DATE	20 MAR 73	
MECH. DES.	DATE	20 MAR 73	
ELECT. DES.	DATE	20 MAR 73	
CHECKED	DATE		
DRAWN	DATE	3.9.73	
UNLESS OTHERWISE SPECIFIED DIMENSIONS ARE IN INCHES AND INCLUDE DECIMALLY APPLIED OR PLATED FINISHES			
DECIMALS		FRACTIONS	
.X ± .05		TOLS.	1/64
.XX ± .01		ANGLES	0° 30'
.XXX ± .005			
MATERIAL			
FINISH			

1	KIT 375	THE TECHNICAL MATERIEL CORP. MAMARONECK, NEW YORK	
QTY / UNIT	MODEL USED ON	ASS'Y NO.	
	APPLICATION		
	CODE		
<p>NOTICE TO PERSONS RECEIVING THIS DRAWING</p> <p>THE TECHNICAL MATERIEL CORPORATION claims proprietary right in the material disclosed hereon. This drawing is issued in confidence for engineering information only and may not be reproduced or used to manufacture anything shown hereon without permission from THE TECHNICAL MATERIEL CORPORATION to the user. This drawing is loaned for mutual assistance and is subject to recall at any time.</p>			
SIZE	CODE IDENT. NO.	DWG NO.	ISSUE
B	82679	LA120	
SCALE		SHEET	OF
		2	1