

5

4

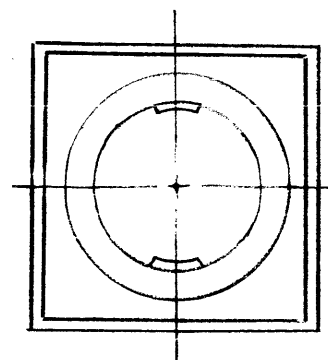
3

2

1

REVISIONS						
ZONE	LTR	DESCRIPTION	DATE	E.M.N.NO	DRAFT	CHKD APPD
	X	EXP. RELEASE	6/3/70			KL
	Ø	ORIG RELEASE FOR PROD	6/2/70		CV	

PLAY	PLAY	PLAY
STOP	STOP	STOP
WIND	WIND	RECORD
REWIND	REWIND	
AG500 3	AG500 4	RT/ BA 27



POLARIZE  
AS SHOWN

← LAMPS

LICON # 01-911411

REQ'D	ITEM	PART NUMBER	DESCRIPTION	SYM.
LIST OF MATERIAL				
THE TECHNICAL MATERIEL CORP. MAMARONECK, NEW YORK				
LENS SET, IND. SW				
SIZE	CODE IDENT. NO.	DWG NO.	ISSUE	
B	82679	LI 8005	Ø	
SCALE				SHEET OF

AX 8005		
QTY / UNIT	MODEL USED ON	ASS'Y NO.
APPLICATION		
	CODE	

**NOTICE TO PERSONS RECEIVING THIS DRAWING**  
 THE TECHNICAL MATERIEL CORPORATION claims proprietary right in the material disclosed hereon. This drawing is issued in confidence for engineering information only and may not be reproduced or used to manufacture anything shown hereon without permission from THE TECHNICAL MATERIEL CORPORATION to the user. This drawing is loaned for mutual assistance and is subject to recall at any time.

UNLESS OTHERWISE SPECIFIED DIMENSIONS ARE IN INCHES AND INCLUDE CHEMICALLY APPLIED OR PLATED FINISHES		FINAL APPROVAL <i>[Signature]</i>	DATE 6-8-70
MECH. DES			DATE
DECIMALS	FRACTIONS	ELECT. DES	DATE
.X ± .05	1/64		
.XX ± .01	TOLS. ANGLES	CHECKED <i>[Signature]</i>	DATE 6-5-70
.XXX ± .005	0° 30'	DRAWN C.D. DEAN	DATE 3-8-68
MATERIAL			
FINISH			

D

C

B

A

D

C

B

A