

5

4

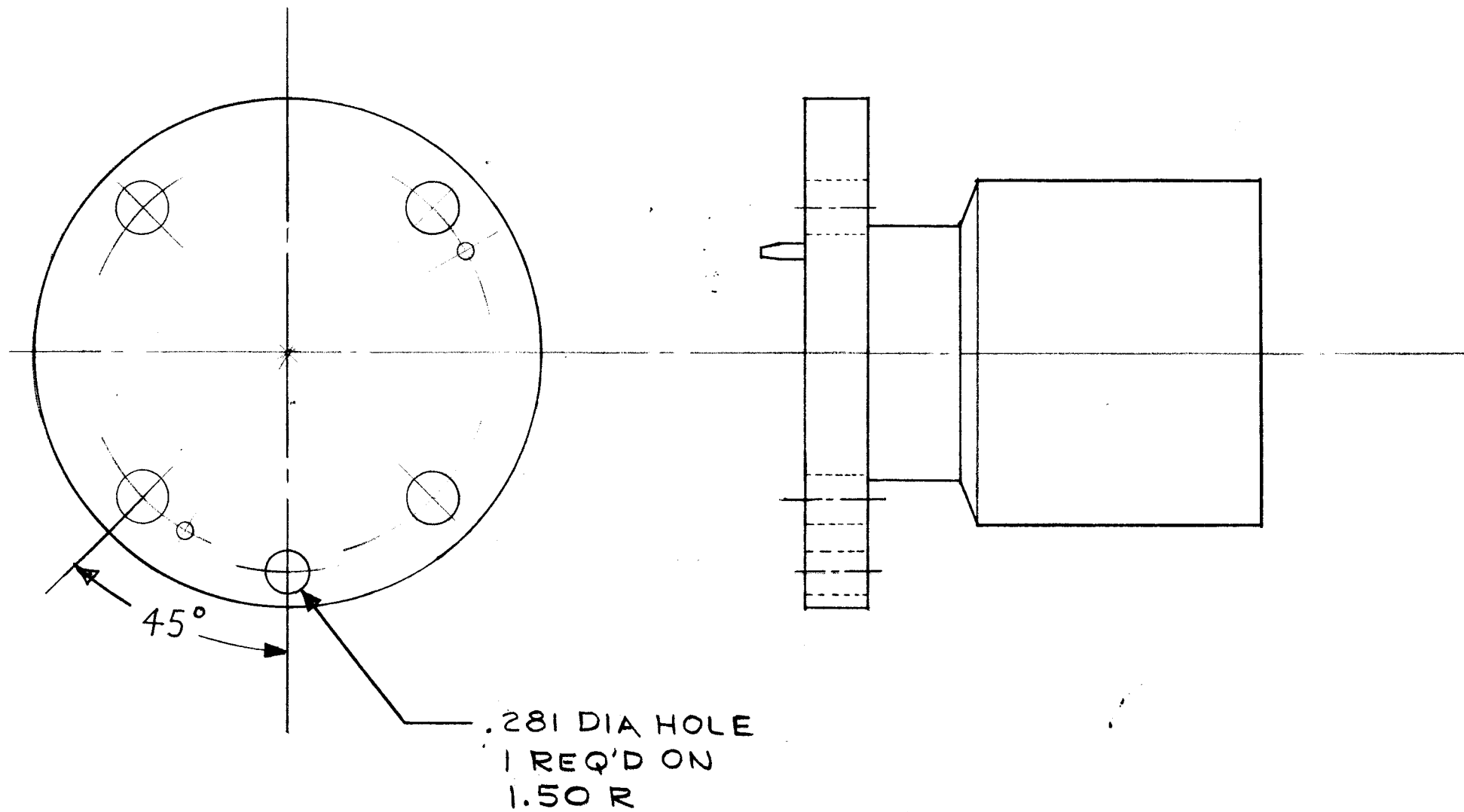
3

2

1

REVISIONS

ZONE	LTR	DESCRIPTION	DATE	E.M.N.NO	DRAFT	CHKD	APPD
------	-----	-------------	------	----------	-------	------	------



REQ'D	ITEM	PART NUMBER	DESCRIPTION	SYM.
-------	------	-------------	-------------	------

LIST OF MATERIAL

2	FIELD ANT. NO 1 & 2		UNLESS OTHERWISE SPECIFIED DIMENSIONS ARE IN INCHES AND INCLUDE CHEMICALLY APPLIED OR PLATED FINISHES	FINAL APPROVAL <i>E. SAM</i>	DATE 8/1/67	THE TECHNICAL MATERIEL CORP. MAMARONECK, NEW YORK			
	QTY / UNIT	MODEL USED ON		ASS'Y NO.	MECH. DES. L. NOTARANGELO				DATE 9/6/67
APPLICATION			DECIMALS .X ± .05 .XX ± .01 .XXX ± .005	FRACTIONS 1/64 TOLS. ANGLES 0° - 30'	CHECKED <i>G. P. KLHNDI</i>	DATE 12-13-67	INTERLOCK HOLE ANDREWS CONN. TYPE 87G-3		
CODE		MATERIAL			DRAWN <i>L. NOTARANGELO</i>	DATE 8/6/67			
NOTICE TO PERSONS RECEIVING THIS DRAWING THE TECHNICAL MATERIEL CORPORATION claims proprietary right in the material disclosed hereon. This drawing is issued in confidence for engineering information only and may not be reproduced or used to manufacture anything shown hereon without permission from THE TECHNICAL MATERIEL CORPORATION to the user. This drawing is loaned for mutual assistance and is subject to recall at any time.				FINISH		SIZE B	CODE IDENT. NO. 82679	DWG NO. MS 8107	ISSUE Ø
SCALE							SHEET OF		

5

4

3

2

1