

5

4

3

2

1

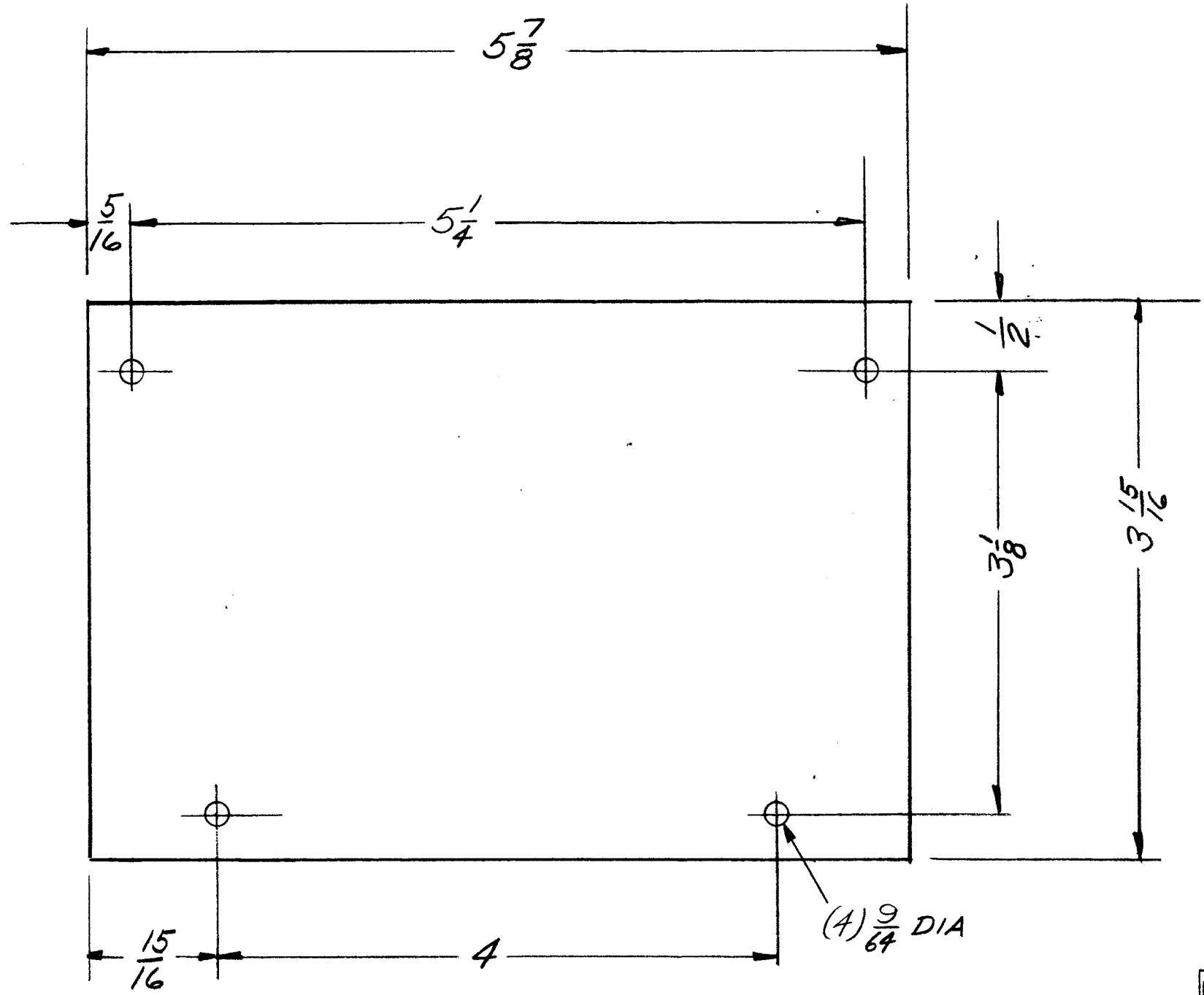
REVISIONS						
ZONE	LTR	DESCRIPTION	DATE	E.M.N.NO	DRAFT	CHKD APPD

D

C

B

A



REQ'D	ITEM	PART NUMBER	DESCRIPTION	SYM.
LIST OF MATERIAL				
THE TECHNICAL MATERIEL CORP. MAMARONECK, NEW YORK				
PLATE, COVER ANTENNA COUPLER				
SIZE	CODE IDENT. NO.	DWG NO.	ISSUE	
B	82679	MS 8221	Ø	
SCALE	SHEET		OF	

QTY / UNIT	MODEL USED ON	ASS'Y NO.
(2) RAC46 (2) RAC47		
APPLICATION		
CODE		
<p>NOTICE TO PERSONS RECEIVING THIS DRAWING THE TECHNICAL MATERIEL CORPORATION claims proprietary right in the material disclosed hereon. This drawing is issued in confidence for engineering information only and may not be reproduced or used to manufacture anything shown hereon without permission from THE TECHNICAL MATERIEL CORPORATION to the user. This drawing is loaned for mutual assistance and is subject to recall at any time.</p>		

UNLESS OTHERWISE SPECIFIED DIMENSIONS ARE IN INCHES AND INCLUDE CHEMICALLY APPLIED OR PLATED FINISHES	
DECIMALS .X ± .05 .XX ± .01 .XXX ± .005	FRACTIONS 1/64 ANGLES 0° .30'
MATERIAL 5052 H-32	FINISH S404-IRIDITE

FINAL APPROVAL <i>[Signature]</i>	DATE 4-13-48
MECH. DES. <i>[Signature]</i>	DATE
ELECT. DES.	DATE
CHECKED	DATE
DRAWN <i>[Signature]</i>	DATE 3-27-48