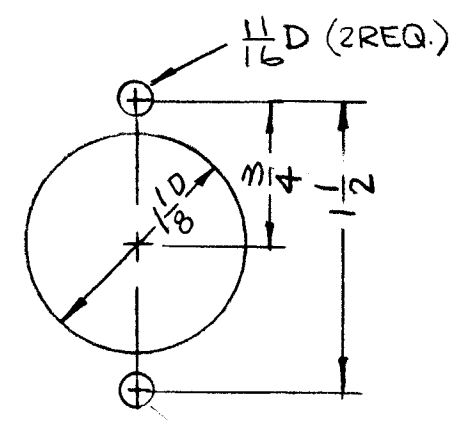
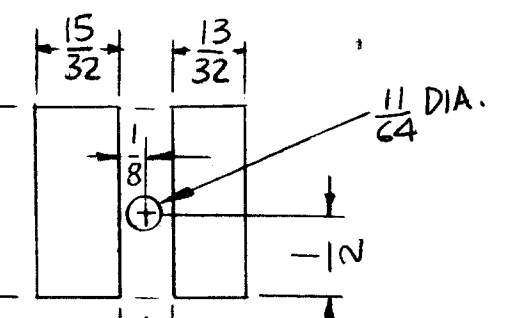
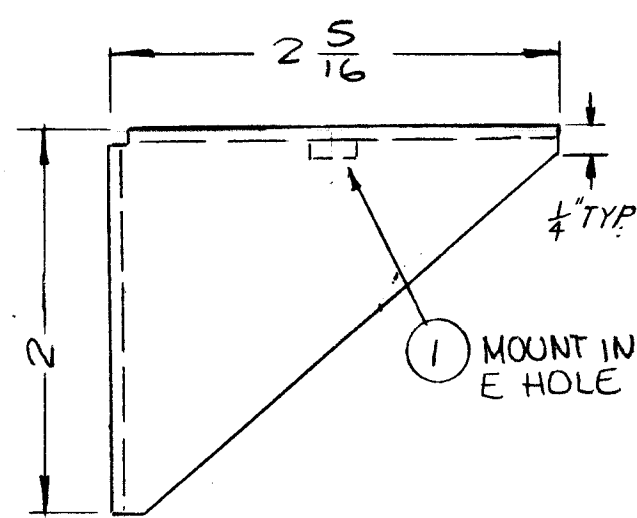


REVISIONS						
ZONE	LTR	DESCRIPTION	DATE	E.M.N.NO	DRAFT	CHKD APPD
	Ø	ADD DIM. & CHANGE	5/17/69		C. G. 110	
	X	DWG. No. WAS 40M127096	8/15/65		C. G. 110	
	Ø	ORIGINAL RELEASE	8-15-69		GE	

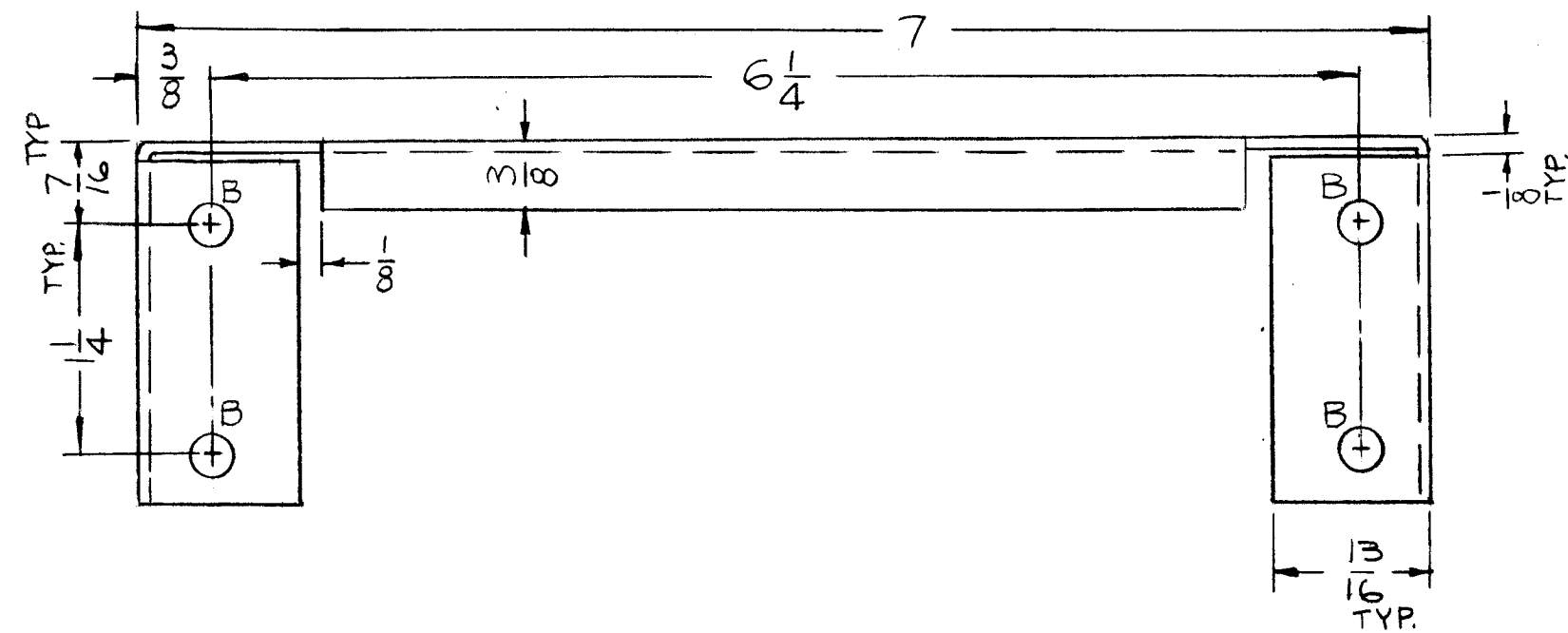
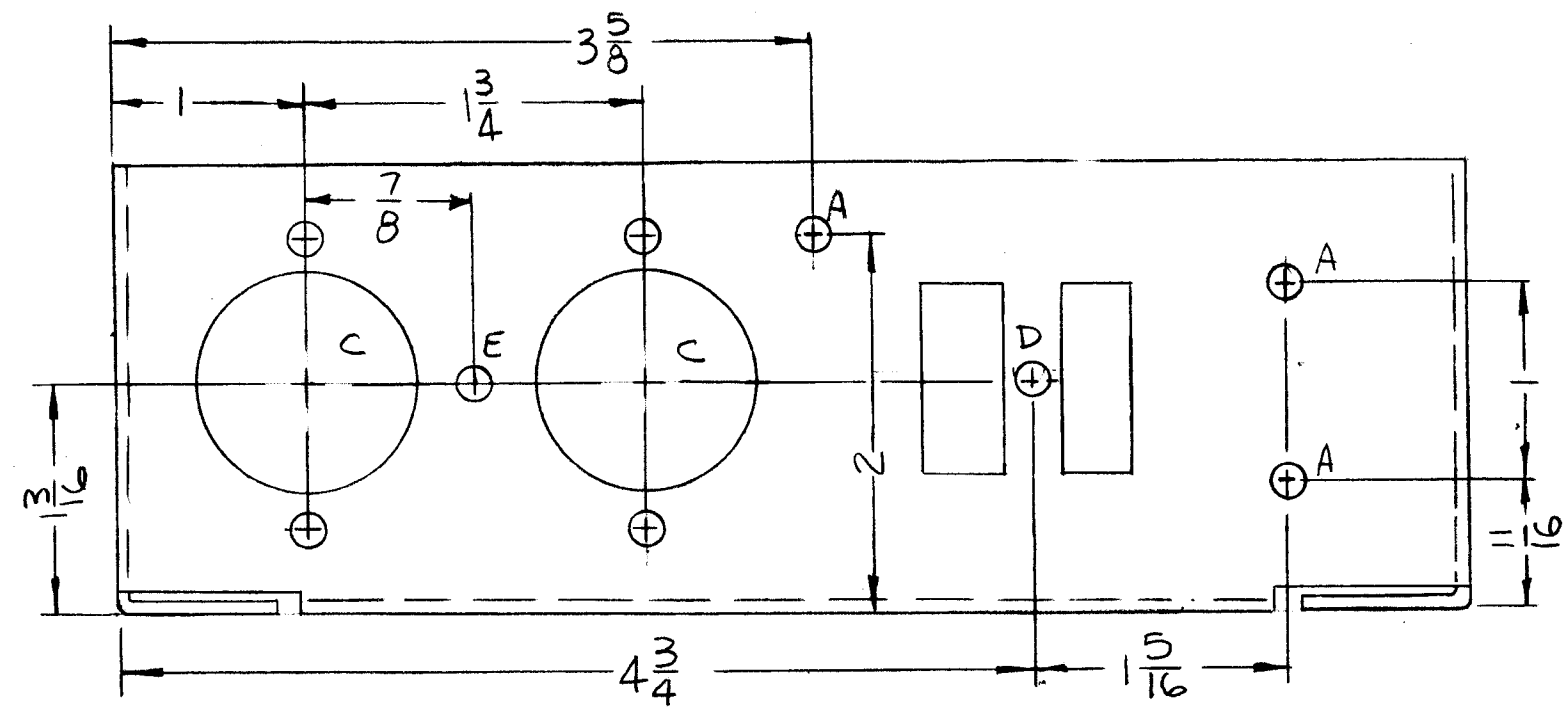
HOLES	DESCRIPTION	REQ
A	11/64 DIA.	3
B	15/64 DIA.	4
C	SEE DETAIL	2
D	SEE DETAIL	1
E	191-194	1



DETAIL - C



DETAIL - D



REQ'D	ITEM	PART NUMBER	DESCRIPTION	SYM.
1	1	NT 129-632-4	NUT PLAIN SPLINE	E

LIST OF MATERIAL

THE TECHNICAL MATERIEL CORP.
MAMARONECK, NEW YORK

BRKT, MTG RELAYS

1	SPT-3K-VHF	AP 139
QTY / UNIT	MODEL USED ON	ASS'Y NO.

APPLICATION

CODE
A

NOTICE TO PERSONS RECEIVING THIS DRAWING
THE TECHNICAL MATERIEL CORPORATION claims proprietary right in the material disclosed hereon. This drawing is issued in confidence for engineering information only and may not be reproduced or used to manufacture anything shown hereon without permission from THE TECHNICAL MATERIEL CORPORATION to the user. This drawing is loaned for mutual assistance and is subject to recall at any time.

UNLESS OTHERWISE SPECIFIED DIMENSIONS ARE IN INCHES AND INCLUDE CHEMICALLY APPLIED OR PLATED FINISHES

DECIMALS .X ± .05 .XX ± .01 .XXX ± .005
FRACTIONS 1/64 TOLS. ANGLES 0°-30'

MATERIAL .081 THK ALUMINUM 5052-H32

FINISH S404 IRIDITE

FINAL APPROVAL [Signature] DATE 8-17-69
MECH. DES. [Signature] DATE 8-17-69
ELECT. DES. [Signature] DATE 8-17-69
CHECKED [Signature] DATE 8-17-69
DRAWN SANDY DATE 5/2/69

SIZE	CODE IDENT. NO.	DWG NO.	ISSUE
B	82679	MS 8240	Ø

SCALE ~ SHEET 1 OF 1