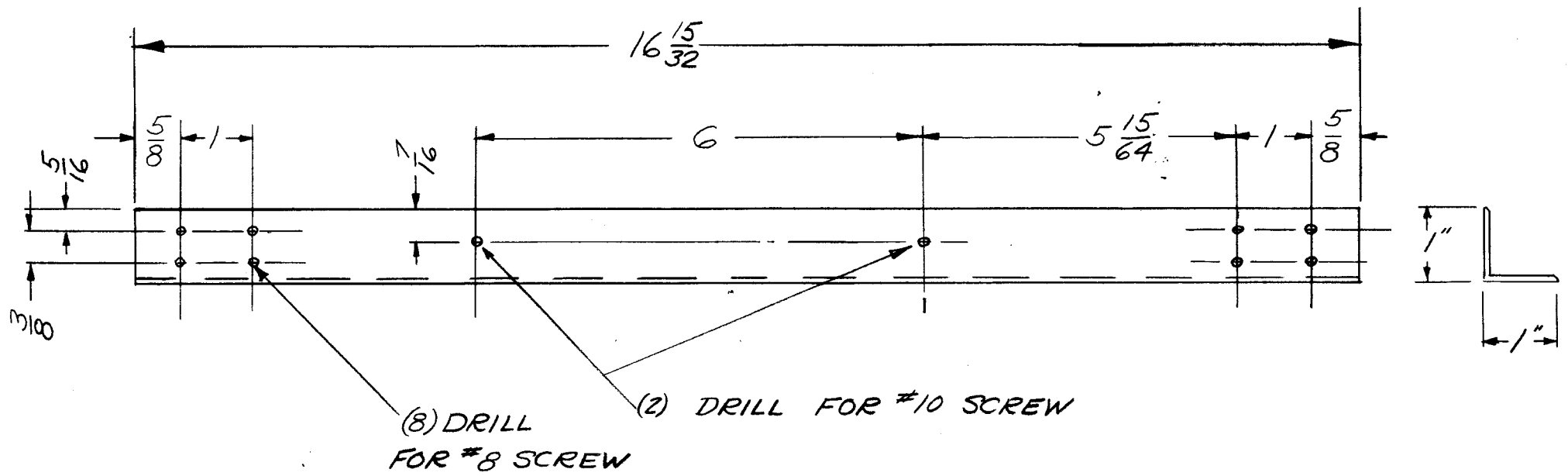


REVISIONS						
ZONE	LTR	DESCRIPTION	DATE	E.M.N.NO	DRAFT	APPD
	Ø	ORIG. REL. FOR PROD.	4.3.69	#	GE	<i>[Signature]</i>



2	SPT 3K VHF	AX 8079-2
2	SPT-3K-VHF	AX 8079-1
QTY / UNIT	MODEL USED ON	ASS'Y NO.
APPLICATION		
	CODE	

**NOTICE TO PERSONS RECEIVING THIS DRAWING**  
 THE TECHNICAL MATERIEL CORPORATION claims proprietary right in the material disclosed hereon. This drawing is issued in confidence for engineering information only and may not be reproduced or used to manufacture anything shown hereon without permission from THE TECHNICAL MATERIEL CORPORATION to the user. This drawing is loaned for mutual assistance and is subject to recall at any time.

UNLESS OTHERWISE SPECIFIED DIMENSIONS ARE IN INCHES AND INCLUDE CHEMICALLY APPLIED OR PLATED FINISHES

DECIMALS	FRACTIONS
.X ± .05	1/64
.XX ± .01	TOLS. ANGLES
.XXX ± .005	0° - 30'

MATERIAL  
 8X1X1 ALUM &  
 5052-H32

FINISH  
 S404 IRIDITE

REQ'D	ITEM	PART NUMBER	DESCRIPTION	SYM.
LIST OF MATERIAL				
FINAL APPROVAL <i>[Signature]</i> DATE 4-2-69				
MECH. DES. <i>[Signature]</i> DATE 4-2-69				
ELECT. DES. DATE				
CHECKED <i>[Signature]</i> DATE 2/11/69				
DRAWN <i>[Signature]</i> DATE 3-24-68				
THE TECHNICAL MATERIEL CORP. MAMARONECK, NEW YORK				
HORIZ. MTG. BKT.				
SIZE	CODE IDENT. NO.	DWG NO.	ISSUE	
B	82679	MS 8259	Ø	
SCALE			SHEET	OF
			1	

5

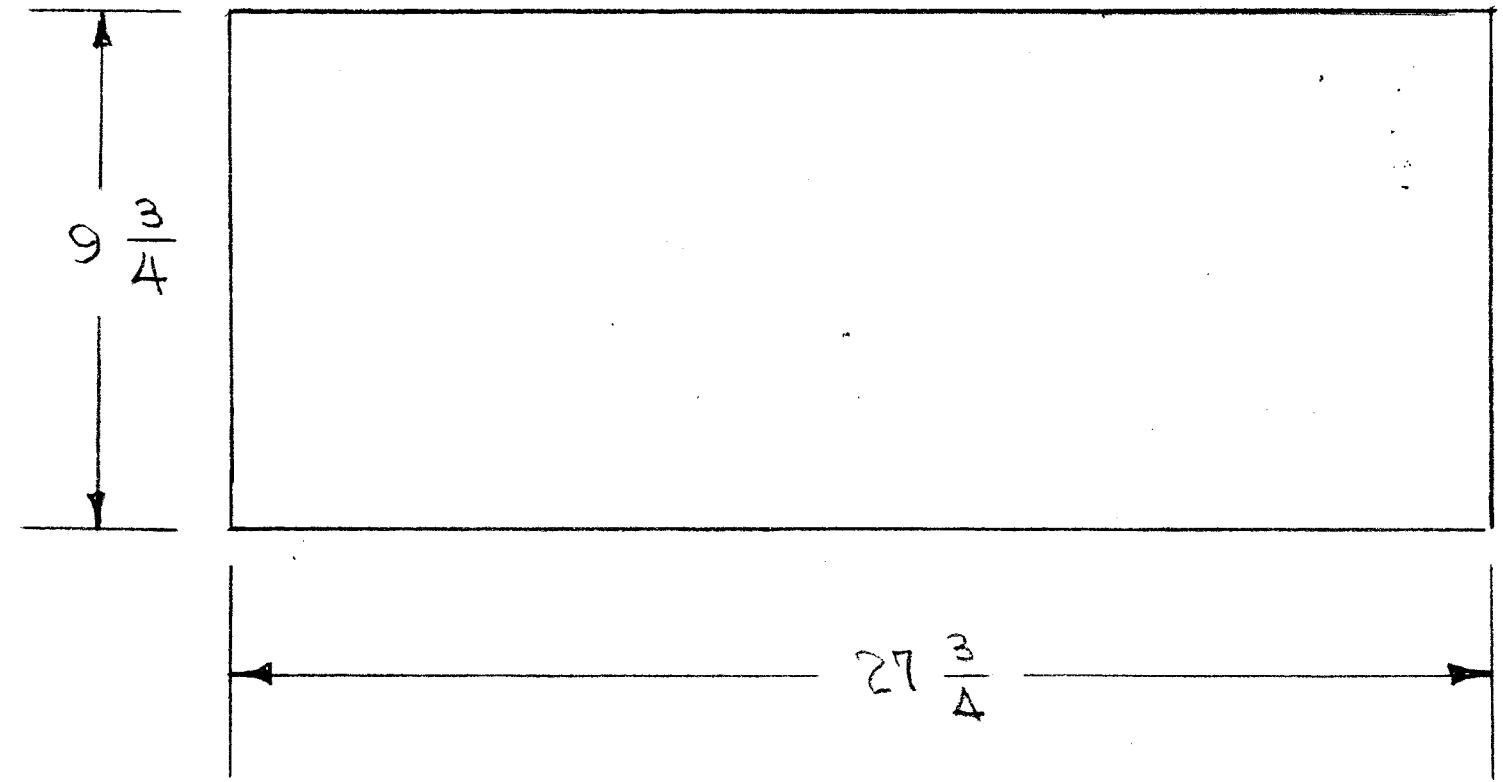
4

3

2

1

REVISIONS						
ZONE	LTR	DESCRIPTION	DATE	E.M.N.NO	DRAFT	CHKD APPD
	Ø	GRIG. REL. FOR PROD	A-3-69	#	GE	JDR



REQ'D	ITEM	PART NUMBER	DESCRIPTION	SYM.
LIST OF MATERIAL				
THE TECHNICAL MATERIEL CORP. MAMARONECK, NEW YORK				
BOTTOM PLATE				
SIZE	CODE IDENT. NO.	DWG NO.	ISSUE	
B	82679	M58259	Ø	
SCALE			SHEET 1 OF 1	

QTY / UNIT	MODEL USED ON	ASS'Y NO.
	L SPT-3K/VHF	
APPLICATION		
	CODE	
<p><b>NOTICE TO PERSONS RECEIVING THIS DRAWING</b>            THE TECHNICAL MATERIEL CORPORATION claims proprietary right in the material disclosed hereon. This drawing is issued in confidence for engineering information only and may not be reproduced or used to manufacture anything shown hereon without permission from THE TECHNICAL MATERIEL CORPORATION to the user. This drawing is loaned for mutual assistance and is subject to recall at any time.</p>		

UNLESS OTHERWISE SPECIFIED DIMENSIONS ARE IN INCHES AND INCLUDE CHEMICALLY APPLIED OR PLATED FINISHES

DECIMALS	FRACTIONS
.X ± .05	1/64
.XX ± .01	TOLS. ANGLES
.XXX ± .005	0° .30'

MATERIAL .051 THK  
 5052 H32 ALUM  
 FINISH S404  
 Yellow Iridite

FINAL APPROVAL: [Signature] DATE: 4-2-69  
 MECH. DES.: [Signature] DATE: 4-2-69  
 ELECT. DES.: [Signature] DATE: 2-11-69  
 CHECKED: [Signature] DATE: 3/24/68  
 DRAWN: C. G. ROB