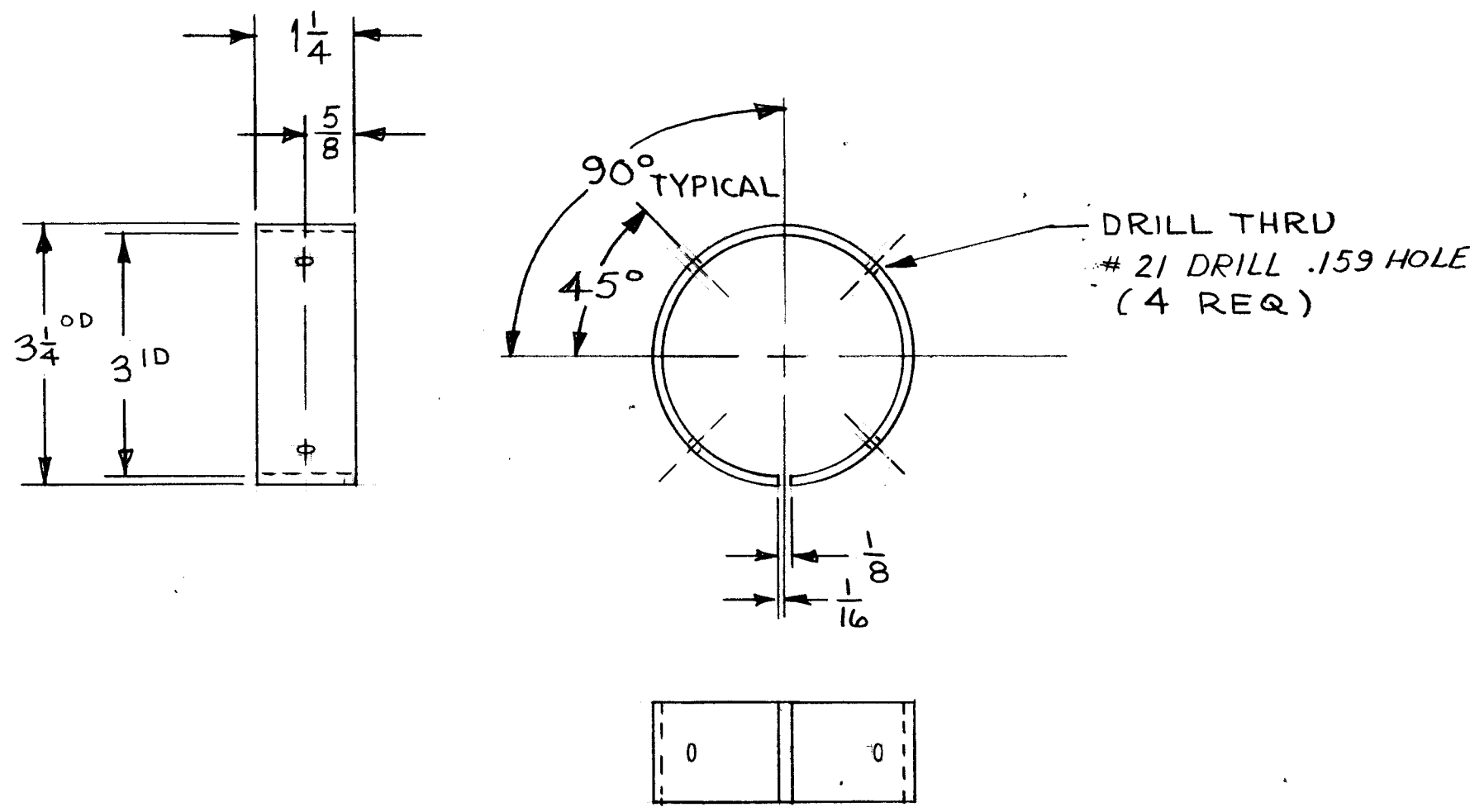


REVISIONS						
ZONE	LTR	DESCRIPTION	DATE	E.M.N.NO	DRAFT	CHKD APPD
	X1	#21 DRILL WAS VBD	5/19/69	X1	ALQ	
	Ø	ORIGINAL RELEASE FOR PRODUCTION	5/2/69	#	GE	



1	ATW-1	MS8304
QTY / UNIT	MODEL USED ON	ASS'Y NO.
APPLICATION		
	CODE	

NOTICE TO PERSONS RECEIVING THIS DRAWING  
 THE TECHNICAL MATERIEL CORPORATION claims proprietary right in the material disclosed hereon. This drawing is issued in confidence for engineering information only and may not be reproduced or used to manufacture anything shown hereon without permission from THE TECHNICAL MATERIEL CORPORATION to the user. This drawing is loaned for mutual assistance and is subject to recall at any time.

UNLESS OTHERWISE SPECIFIED DIMENSIONS ARE IN INCHES AND INCLUDE CHEMICALLY APPLIED OR PLATED FINISHES

DECIMALS	FRACTIONS
.X ± .05	1/64
.XX ± .01	TOLS. ANGLES
.XXX ± .005	0° - 30'

MATERIAL 2024-T4  
 ALUM. TUBE .125THK

FINISH  
 YELLOW IRIDITE

REQ'D	ITEM	PART NUMBER	DESCRIPTION	SYM.
LIST OF MATERIAL				
THE TECHNICAL MATERIEL CORP. MAMARONECK, NEW YORK				
COLLAR, SPLIT				
SIZE	CODE	IDENT. NO.	DWG NO.	ISSUE
B		82679	MS-8308	Ø
SCALE 1/2" = 1 IN			SHEET	OF