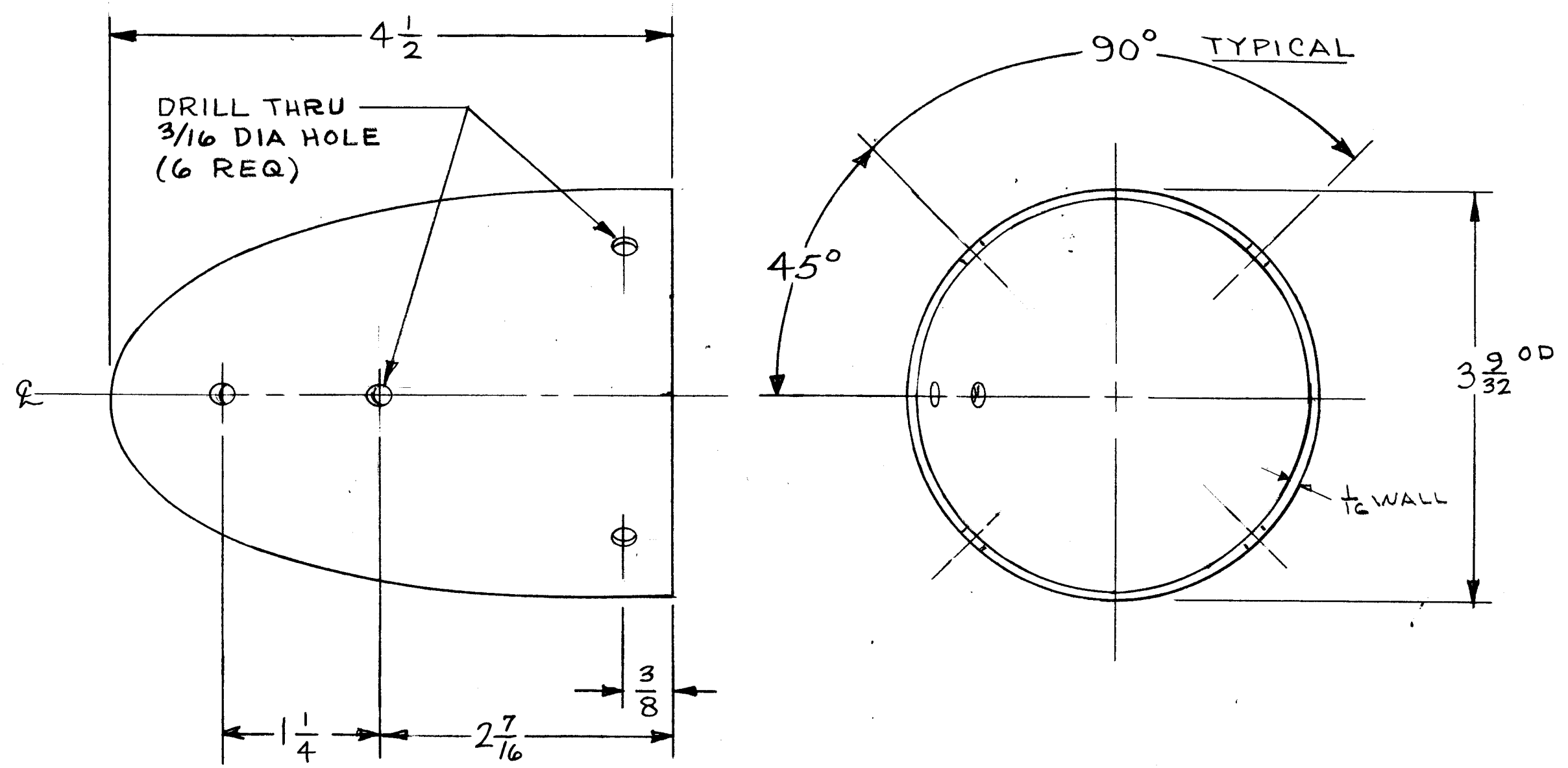


REVISIONS						
ZONE	LTR	DESCRIPTION	DATE	E.M.N.NO	DRAFT	CHKD APPD
	X1	MAT. WAS YEL ALUM FINISH WAS YEL IRIDITE	5/9/69	X1	JAD	
	Ø	ORIGINALLY FOR PRODUCTION	5/26	H	GE	JAD



REQ'D	ITEM	PART NUMBER	DESCRIPTION	SYM.
LIST OF MATERIAL				
THE TECHNICAL MATERIEL CORP. MAMARONECK, NEW YORK				
TAIL CONE				
SIZE	CODE IDENT. NO.	DWG NO.	ISSUE	
B	82679	MS-8309	Ø	
SCALE	FULL	SHEET	OF	

1	ATW-1	ID 8054
QTY / UNIT	MODEL USED ON	ASS'Y NO.
APPLICATION		
	CODE	

UNLESS OTHERWISE SPECIFIED  
DIMENSIONS ARE IN INCHES  
AND INCLUDE CHEMICALLY APPLIED  
OR PLATED FINISHES

DECIMALS      FRACTIONS  
.X ± .05      1/64  
.XX ± .01 TOLS.      ANGLES  
.XXX ± .005      0°-30'

MATERIAL  
FIBERGLAS

FINISH  
WHITE ENAMEL

FINAL APPROVAL	DATE
<i>SJM</i>	5/19/68
MECH. DES.	DATE
ELECT. DES.	DATE
CHECKED	DATE
<i>imo</i>	5-11-69
DRAWN	DATE
TANTILLO	7-9-68

**NOTICE TO PERSONS RECEIVING THIS DRAWING**  
THE TECHNICAL MATERIEL CORPORATION claims proprietary right in the material disclosed hereon. This drawing is issued in confidence for engineering information only and may not be reproduced or used to manufacture anything shown hereon without permission from THE TECHNICAL MATERIEL CORPORATION to the user. This drawing is loaned for mutual assistance and is subject to recall at any time.