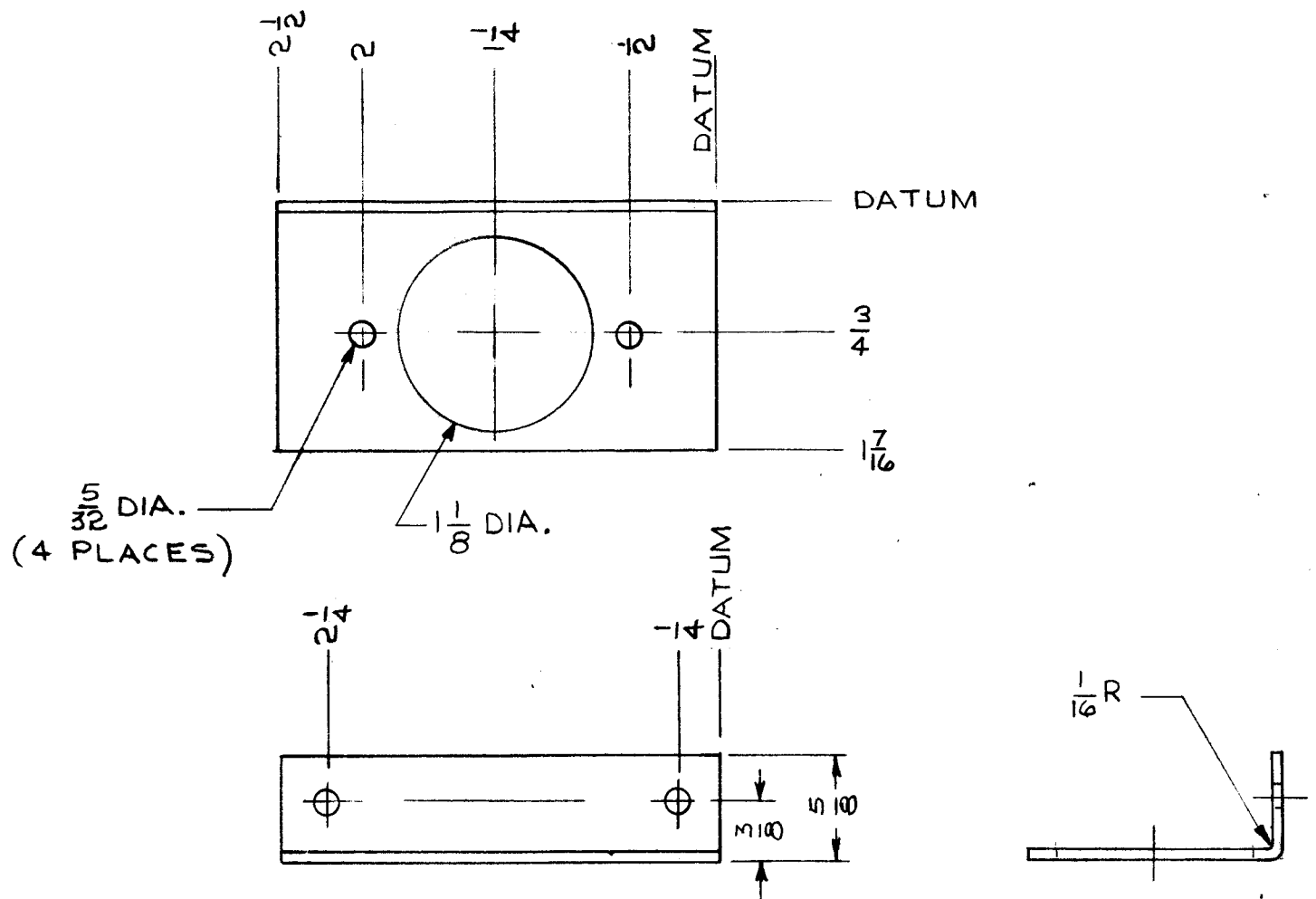


REVISIONS						
ZONE	LTR	DESCRIPTION	DATE	E.M.N.NO	DRAFT	CHKD APPD
	X	Dwg. No. WAS 40M12B 7097	8/24/68		C.G.R.B	
	Ø	ORIGINAL RELEASE	8-5-69		GE	



REQ'D	ITEM	PART NUMBER	DESCRIPTION	SYM.
LIST OF MATERIAL				
THE TECHNICAL MATERIEL CORP. MAMARONECK, NEW YORK				
RELAY BRACKET VSWR OVERLOAD				
SIZE	CODE IDENT. NO.	DWG NO.	ISSUE	
B	82679	MS8326	Ø	
SCALE	1/1	SHEET	OF	

4	SPT-3KVHF	AX8037
QTY / UNIT	MODEL USED ON	ASS'Y NO.
APPLICATION A8055		
	CODE	

UNLESS OTHERWISE SPECIFIED DIMENSIONS ARE IN INCHES AND INCLUDE CHEMICALLY APPLIED OR PLATED FINISHES

DECIMALS: X ± .05, .XX ± .01, .XXX ± .005
 FRACTIONS: 1/64, ANGLES: 0°-30'

MATERIAL: 1/16 ALUMALLOY 5052-H32
 FINISH: 5404 ETCH & IRIDITE

FINAL APPROVAL: J.F.P. [Signature] DATE: 4-16-68
 MECH. DES.: J.F.P. DATE: 3-15-68
 ELECT. DES.: [Signature] DATE: 8-18-69
 CHECKED: [Signature] DATE: 4-15-68
 DRAWN: C.B. DATE: 4/11/68

NOTICE TO PERSONS RECEIVING THIS DRAWING
 THE TECHNICAL MATERIEL CORPORATION claims proprietary right in the material disclosed hereon. This drawing is issued in confidence for engineering information only and may not be reproduced or used to manufacture anything shown hereon without permission from THE TECHNICAL MATERIEL CORPORATION to the user. This drawing is loaned for mutual assistance and is subject to recall at any time.