

5

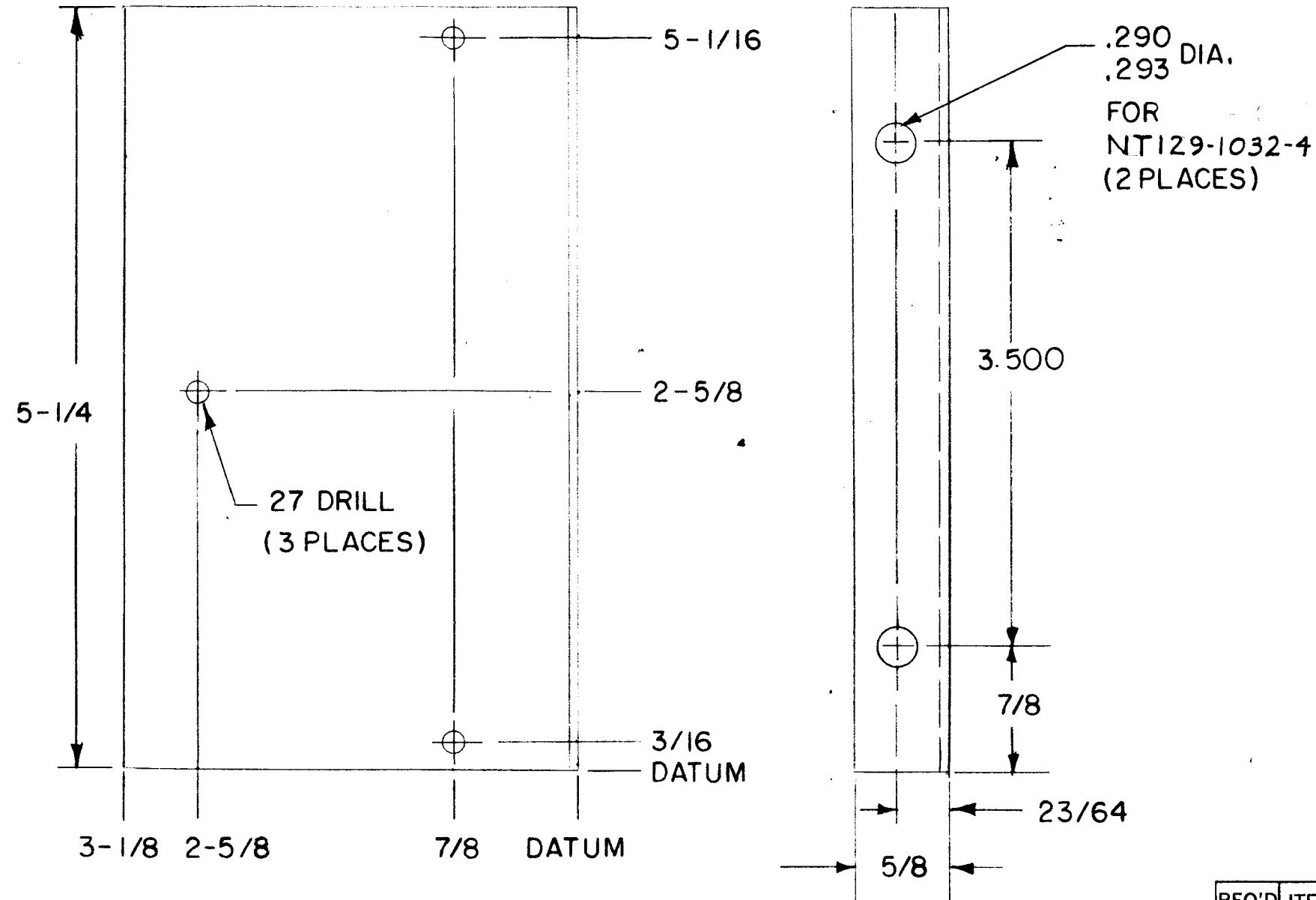
4

3

2

1

REVISIONS						
ZONE	LTR	DESCRIPTION	DATE	E.M.N.NO	DRAFT	CHKD APPD
	X	DWG. No. WAS 40M12B7124	8-22-68		C. G. R. O. B.	
	Ø	ORIGINAL RELEASE	8-15-69		GE	



REQ'D	ITEM	PART NUMBER	DESCRIPTION	SYM.
-------	------	-------------	-------------	------

LIST OF MATERIAL

THE TECHNICAL MATERIEL CORP.
MAMARONECK, NEW YORK

RECTIFIER SUPPORT BKT

2	SPT-3KVHF	API40
QTY / UNIT	MODEL USED ON	ASS'Y NO.
APPLICATION A8072		
	CODE	

UNLESS OTHERWISE SPECIFIED
DIMENSIONS ARE IN INCHES
AND INCLUDE CHEMICALLY APPLIED
OR PLATED FINISHES

DECIMALS	FRACTIONS
.X ± .05	1/64
.XX ± .01	TOLS. ANGLES
.XXX ± .005	0° - 30'

MATERIAL 1/16 ALUM
ALLOY 5052-H32
FINISH ETCH &
GOLD IRIDITE

FINAL APPROVAL <i>J.F.P.</i>	DATE 5-1-68
MECH. DES. <i>R. Smith</i>	DATE 4-16-68
ELECT. DES. <i>R. Smith</i>	DATE 4-17-68
CHECKED <i>R. Smith</i>	DATE 4-26-68
DRAWN <i>L. M. DOWELL</i>	DATE 4-17-68

SIZE B	CODE IDENT. NO. 82679	DWG NO. MS8327	ISSUE Ø
SCALE 1:1		SHEET 1 OF 1	

NOTICE TO PERSONS RECEIVING THIS DRAWING
THE TECHNICAL MATERIEL CORPORATION claims proprietary right in the material disclosed hereon. This drawing is issued in confidence for engineering information only and may not be reproduced or used to manufacture anything shown hereon without permission from THE TECHNICAL MATERIEL CORPORATION to the user. This drawing is loaned for mutual assistance and is subject to recall at any time.

5

4

3

2

1