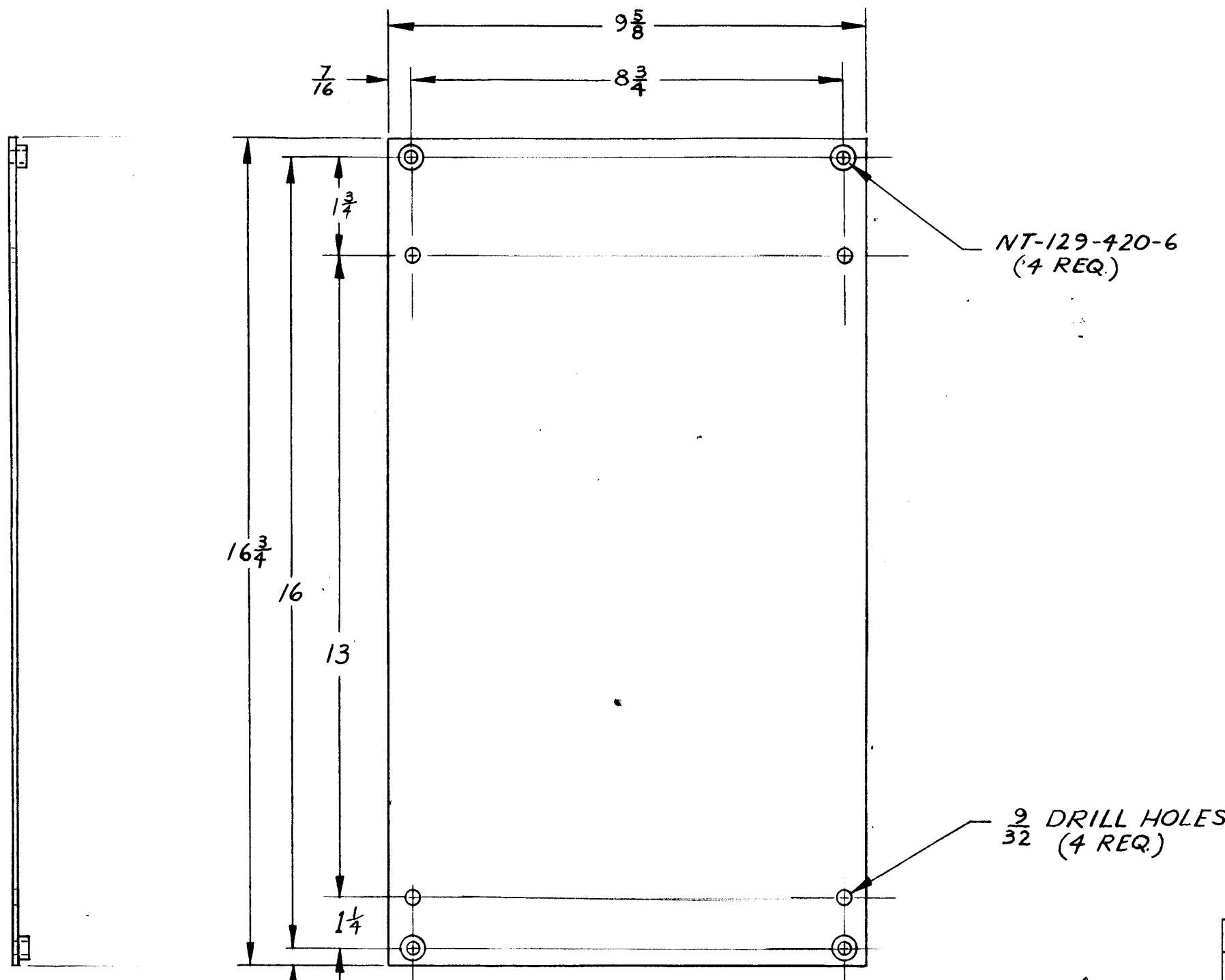


REVISIONS							
ZONE	LTR	DESCRIPTION	DATE	E.M.N.NO	DRAFT	CHKD	APPD
	Ø	ORIG. REL. FOR PROD	4.3.69	H	GE		HSE



1	SPT 3KVHP	AX8079-2
1	SPT-3KVHP	AX8079-1
QTY / UNIT	MODEL USED ON	ASS'Y NO.

APPLICATION	
	CODE

NOTICE TO PERSONS RECEIVING THIS DRAWING
 THE TECHNICAL MATERIEL CORPORATION claims proprietary right in the material disclosed hereon. This drawing is issued in confidence for engineering information only and may not be reproduced or used to manufacture anything shown hereon without permission from THE TECHNICAL MATERIEL CORPORATION to the user. This drawing is loaned for mutual assistance and is subject to recall at any time.

UNLESS OTHERWISE SPECIFIED DIMENSIONS ARE IN INCHES AND INCLUDE CHEMICALLY APPLIED OR PLATED FINISHES

DECIMALS	FRACTIONS
.X ± .05	1/64
.XX ± .01	TOLS. ANGLES
.XXX ± .005	0° - 30'

MATERIAL .125 THK
 5052 H32 ALUM

FINISH
 S104 YEL. IRIDITE

REQ'D	ITEM	PART NUMBER	DESCRIPTION	SYM.
LIST OF MATERIAL				
THE TECHNICAL MATERIEL CORP. MAMARONECK, NEW YORK				
HI BAND PA CAVITY MTG PLATE				
SIZE	CODE IDENT. NO.	DWG NO.	ISSUE	
B	82679	MS8399	Ø	
SCALE			SHEET 1 OF 1	