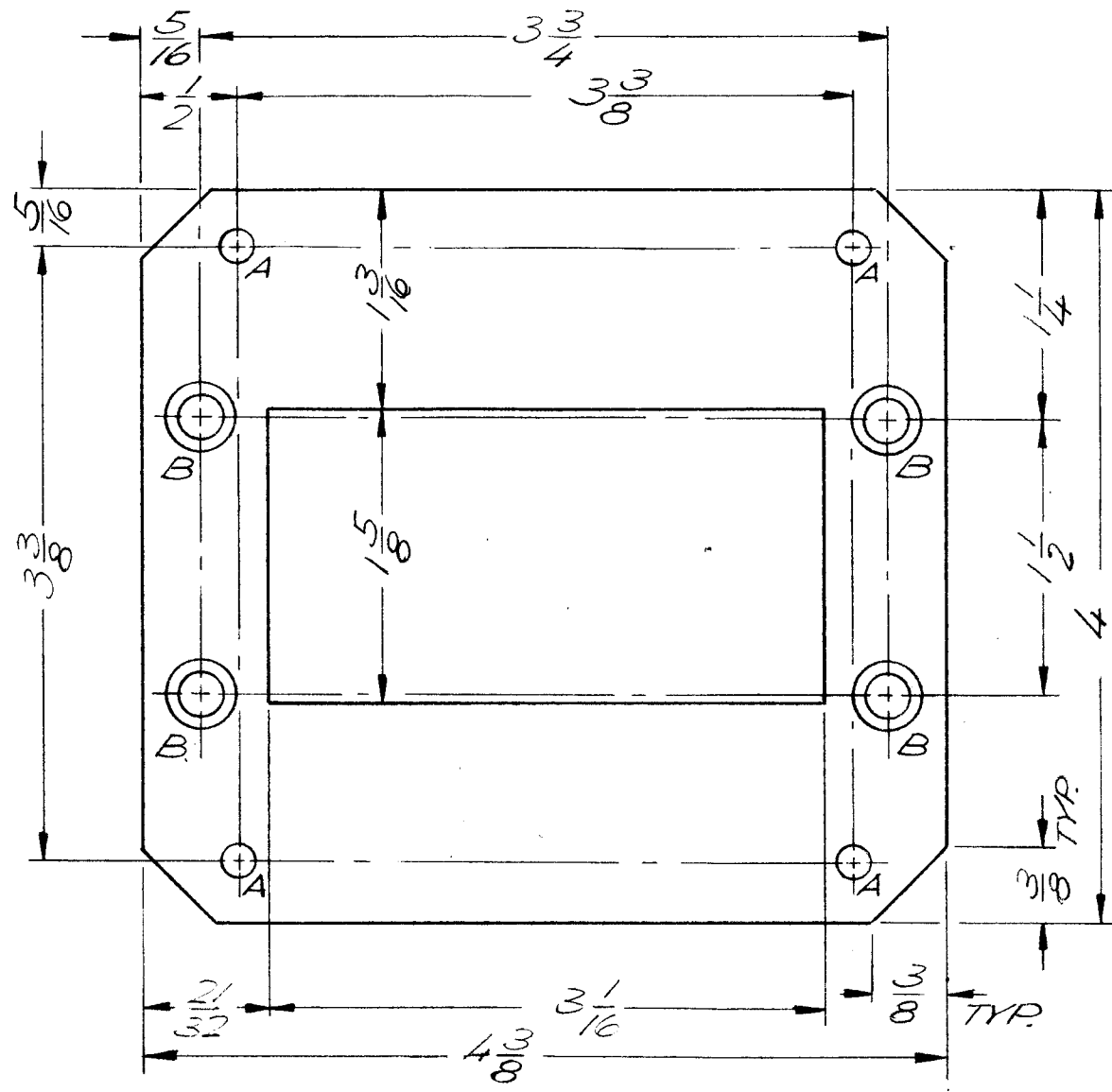


| REVISIONS | | | | | | |
|-----------|-----|-----------------------|---------|----------|-------|-----------|
| ZONE | LTR | DESCRIPTION | DATE | E.M.N.NO | DRAFT | CHKD APPD |
| | X | EXP. RELEASE | 4/28/69 | | KH | |
| | Ø | ORIG RELEASE FOR PROD | 4/28/69 | | CV | |



HOLE LEGEND:

- A ~ 3/16 DIA. (4 REQ.)
- B ~ DRILL .254 DIA. THRU C'SK 82° X .470 DIA. (4 REQ.)

NOTE:

REMOVE ALL BURRS & SHARP EDGES.

| | | |
|-------------|------------|---------|
| QTY / UNIT | SPT 3K/VHF | AX 8089 |
| APPLICATION | | |
| CODE | | |

NOTICE TO PERSONS RECEIVING THIS DRAWING
 THE TECHNICAL MATERIEL CORPORATION claims proprietary right in the material disclosed hereon. This drawing is issued in confidence for engineering information only and may not be reproduced or used to manufacture anything shown hereon without permission from THE TECHNICAL MATERIEL CORPORATION to the user. This drawing is loaned for mutual assistance and is subject to recall at any time.

UNLESS OTHERWISE SPECIFIED DIMENSIONS ARE IN INCHES AND INCLUDE CHEMICALLY APPLIED OR PLATED FINISHES

DECIMALS: .X ± .05, .XX ± .01, .XXX ± .005
 FRACTIONS: 1/64, ANGLES: 0°-30'

TOLS.

MATERIAL: 125 ALUM.
 5052-H32

FINISH: 5404
 YELL. IRIDITE

| REQ'D | ITEM | PART NUMBER | DESCRIPTION | SYM. |
|--|-----------------|-------------|-------------|------|
| LIST OF MATERIAL | | | | |
| THE TECHNICAL MATERIEL CORP. MAMARONECK, NEW YORK | | | | |
| MTG., BKT., BLOWER | | | | |
| SIZE | CODE IDENT. NO. | DWG NO. | ISSUE | |
| B | 82679 | MS 8469 | Ø | |
| SCALE 1:1 | | | SHEET OF | |