

IF IT IS FOUND DESIRABLE TO CHANGE ANY TOLERANCE OR OTHER DETAIL SPECIFIED ON THIS DRAWING NOTIFY THE PURCHASER PROMPTLY.

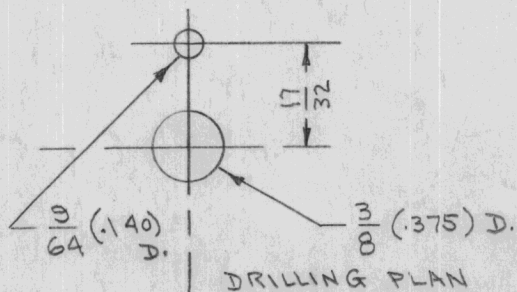
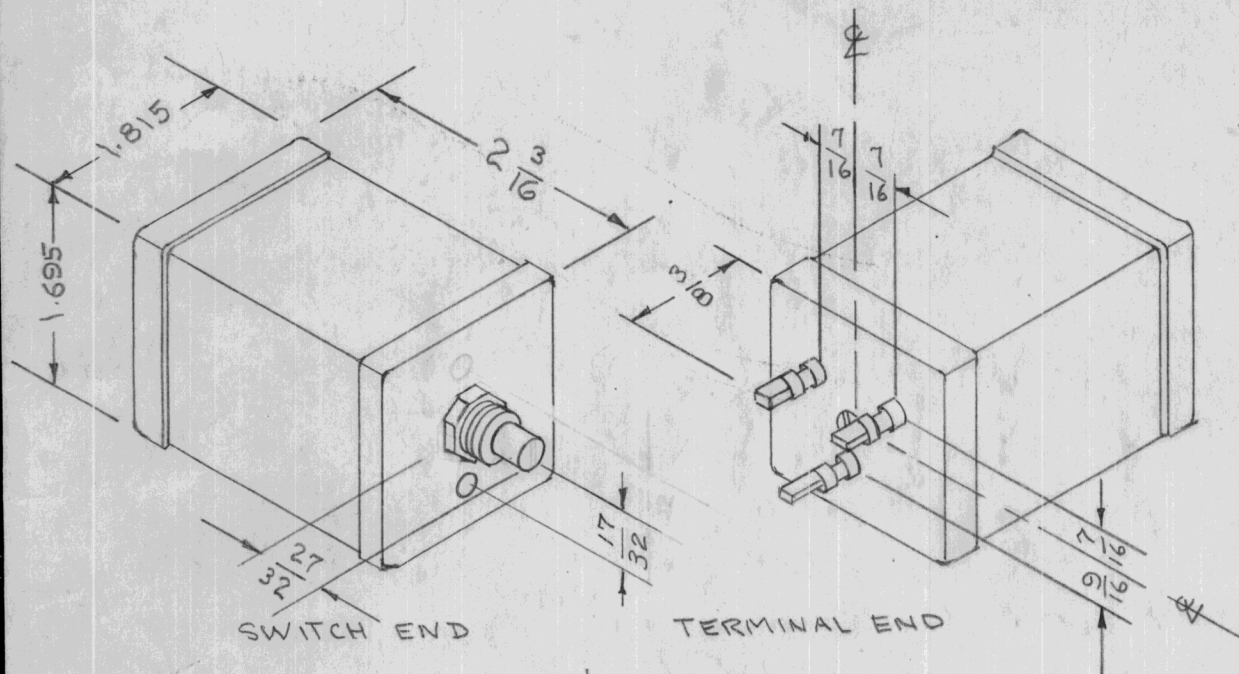
MAXIMUM ALLOWABLE TOLERANCES HAVE BEEN DETERMINED AND DEVIATIONS WILL BE CAUSE FOR REJECTION. REMOVE ALL BURRS AND SHARP EDGES

NF-102 B

PER UNIT

USED ON

MODEL	PROJECT NO.	ASS'Y. NO.	DATE
RSC-2	170	A-865	11-3-54



MECHANICAL SPECIFICATIONS

- (1) Case - Steel
- (2) Color - Grey

ELECTRICAL SPECIFICATIONS

- (1) Resonant circuit with provisions for following frequencies; 500 cps, 750 cps, 1000 cps, 1250 cps; all $\pm 5\%$, and for "off" position.
- (2) Fixed insertion loss ≤ 14 D.B.
- (3) Ratio of off position to any one resonant frequency ≤ 3 D.B.

(Refer to CK-275 for associated circuitry).

REQ.	ITEM	PART NO.	DESCRIPTION	SYMBOL
			THE TECHNICAL MATERIEL CORP. MAMARONECK. NEW YORK	
STOCK SIZE			NETWORK AUDIO-SELECTIVE	
MATERIAL			NF-102	
WEIGHT PER PC.			C-DD 11-3-54	
TYPE & TEMPER			KZ	M.H.S.
HEAT TREAT. SPEC.			DRAWN	ELEC. DES. APP.
FINISH & SPEC. NO.			M.H.S.	A.J.J.
			CHECKED	FINAL APPROVAL
			NF-102 B	

B	2	ON ASSY BLOCK A865 WAS A-8624	94663	9950			
	1	REF CK-275 WAS CK-195					
ISSUE	ITEM	CHANGED FROM	DATE	CN. NO.	DRAFTS	CHECKER	ENG. APP.

TOLERANCES			SCALE				
ALL OTHERS	DEC. DIM. \pm	FRAC. DIM. \pm	DRILL, PUNCH, COMMERCIAL STOCK SIZES AND MANUFACTURERS TOLERANCES ARE NOT INCLUDED.				
	ANGULAR DIM. \pm						