

THE CONTENTS OF THIS DRAWING ARE THE EXCLUSIVE PROPERTY OF THE TECHNICAL MATERIEL CORP. ITS UNAUTHORIZED USE FOR REPRODUCTION IN WHOLE OR IN PART IS STRICTLY FORBIDDEN.

REQ. PER UNIT

USED ON

MODEL

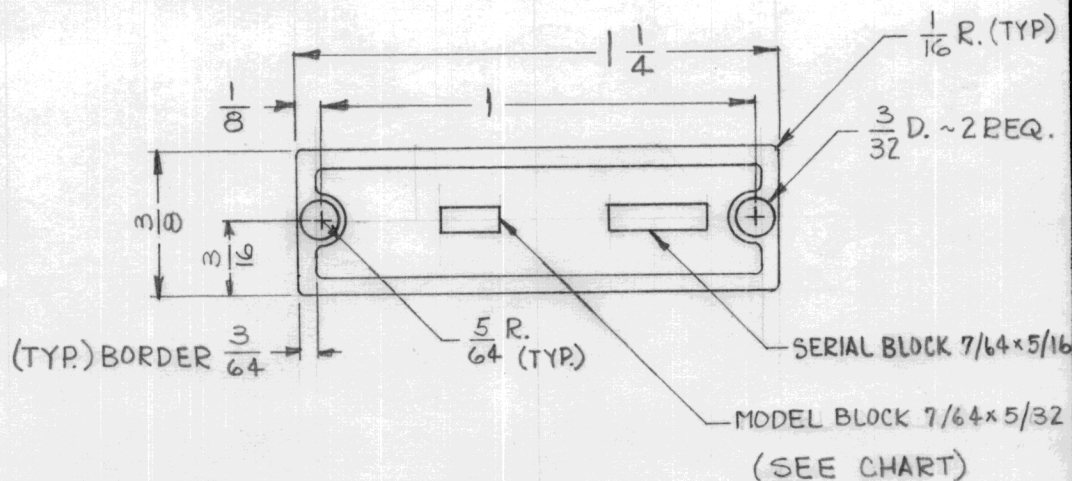
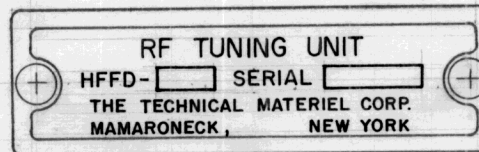
ASS'Y. NO.

DATE

NP-534



TMC PART NO.	MODEL
NP-534-1	HFFD-1
NP-534-2	HFFD-2
NP-534-3	HFFD-3
NP-534-4	HFFD-4
NP-534-5	HFFD-5
NP-534-6	HFFD-6
NP-534-7	HFFD-7
NP-534-8	HFFD-8



FINISH NOTE:  
BLACK MATTE BACKGROUND &  
CLEAR LACQUER.

SYM	DESCRIPTION	DATE	CH. NO.	DRAFTS	CHECKER	ENG. APP.	REQ. ITEM	PART NO.	DESCRIPTION	SYMBOL
								.032 THK STOCK SIZE	THE TECHNICAL MATERIEL CORP. MAMARONECK, NEW YORK	
								ALUMINUM		NAMEPLATE, IDENTIFICATION
								MATERIAL	MODELS HFFD-1 THRU 8	
Ø	ORIGINAL RELEASE	8/8/69						250	<i>E. J. [unclear]</i>	<i>SPM</i> 8/8/69
								TYPE & TEMPER	CHECKED	FINAL APPROVAL
								HEAT TREAT. SPEC.		
								SEE FINISH NOTE		
								FINISH & SPEC. NO.	ELEC. DES. APP.	MECH. DES. APP.
										NP-534 Ø